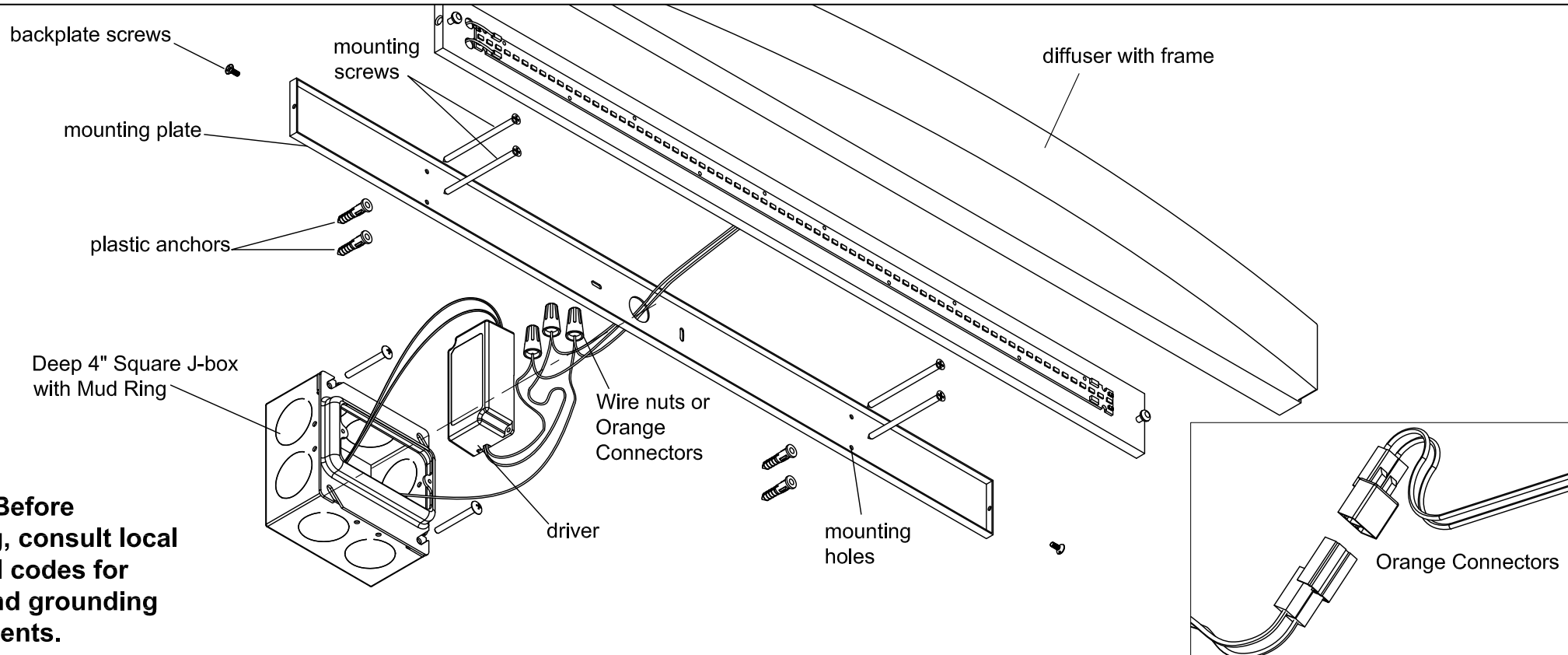


# ASSEMBLY AND INSTALLATION INSTRUCTIONS

**WARNING: TO AVOID RISK OF ELECTRICAL SHOCK, BE SURE TO SHUT OFF POWER PRIOR TO INSTALLING OR SERVICING THIS FIXTURE.**



**NOTE: Before installing, consult local electrical codes for wiring and grounding requirements.**

## Installation Steps

1. Carefully unpack your new fixture and lay out all the parts on clean surface. Take care not to lose any small parts necessary for installation
2. Remove diffuser with frame by sliding it to one side or the other and pull it firmly but carefully away from the back plate. Set diffuser with frame aside.
3. Remove back plate screws to release mounting plate. Hold the mounting plate against the wall to match the mounting position (for vertical mounting, see "UP" indicator on back plate.) and drill 1/4" holes through the mounting plate holes of the mounting plate. Remove the mounting plate and insert the plastic anchors into the newly drilled 1/4" holes.
4. Place driver inside junction box and make wire connections: Attach ground wire to building ground wire using a wire nut or attach them to the mounting plate with a green ground screw.
  - **FOR DIMMING:** If using a dimmer (not included), follow wiring instructions enclosed with dimmer. Double check wiring. Push the orange connectors together. Tuck the wire connections and driver neatly into the junction box.
  - **FOR NON-DIMMING:** If not using a dimming switch, with wire nuts, cap off purple and gray wires individually. Wire hot wire with hot wire, neutral wire with neutral wire. Push orange connectors together, or tie positive and negative wires together with wire nuts. Double check wiring. See driver label for wire identification. Tuck the wire connections neatly into the junction box.
5. Secure the mounting plate to the J-box by installing the j-box screws. Install the mounting screws. Secure the back plate to the wall over the j-box by installing the mounting plate screws. Fixture should be secure against wall.
6. Place the diffuser over the back plate in the matching up position ends as shown in illustration. Diffuser and fixture should be secure and snug against wall. Turn power back on at fuse or circuit box.

**Archer vanity  
3-575-xx**

**oxygen**

**OXYGEN LIGHTING**  
201 RAILHEAD RD., FORT WORTH, TX 76106  
TEL. (877) 607-0202 FAX (877) 607-0203  
WWW.OXYGENLIGHTING.COM

**ASSEMBLY INSTRUCTIONS**