

# ASSEMBLY AND INSTALLATION INSTRUCTIONS

**WARNING: TO AVOID RISK OF ELECTRICAL SHOCK, BE SURE TO SHUT OFF POWER PRIOR TO INSTALLING OR SERVICING THIS FIXTURE.**

**NOTE: Before installing, consult local electrical codes for wiring and grounding requirements.**

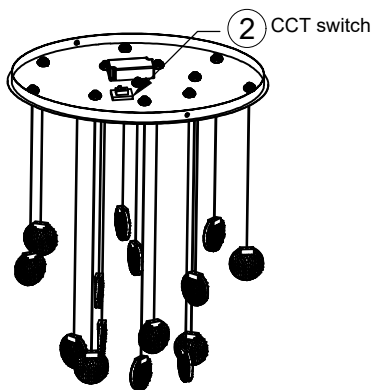


Fig. 1

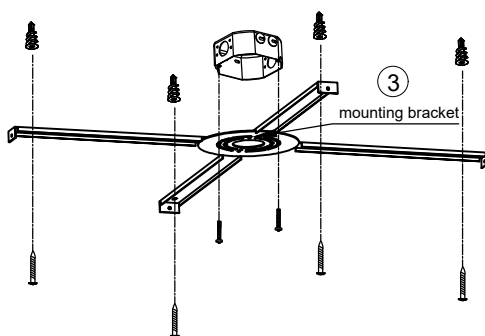


Fig. 2  
NOTICE: J-box must be secured to building structure

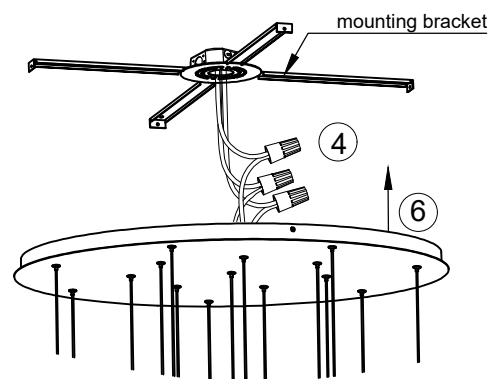


Fig. 3

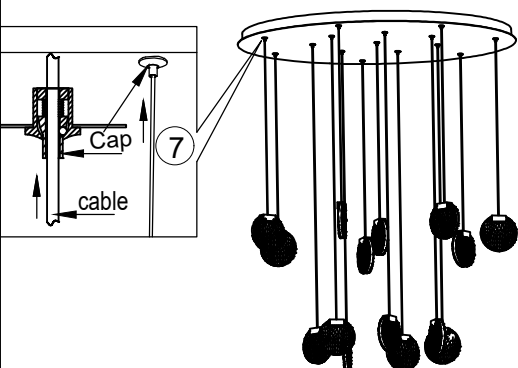


Fig. 4

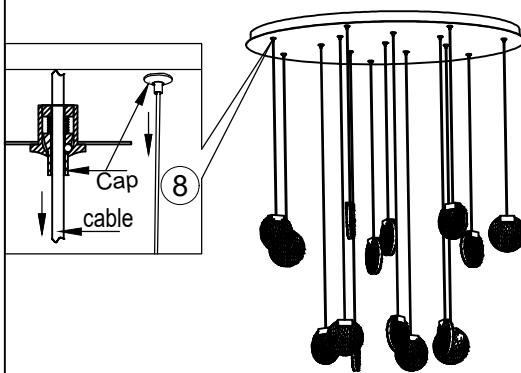


Fig. 5

OXYGEN LIGHTING ©

oxygen

OXYGEN LIGHTING  
201 RAILHEAD RD, FORT WORTH, TX 76106  
TEL. (877) 607-0202 FAX. (877) 607-0203  
WWW.OXYGENLIGHTING.COM

ASSEMBLY INSTRUCTIONS

# ASSEMBLY AND INSTALLATION INSTRUCTIONS

**WARNING: TO AVOID RISK OF ELECTRICAL SHOCK, BE SURE TO SHUT OFF POWER PRIOR TO INSTALLING OR SERVICING THIS FIXTURE.**

**NOTE: Before installing, consult local electrical codes for wiring and grounding requirements.**

## Installation Steps

- Carefully unpack your new fixture and lay out all the parts on clean surface. Take care not to lose any small parts necessary for installation.
- Select the appropriate color temperature by turning the CCT switch: 3000K, 3500K, 4000K. (Fig. 1)
- Mark ceiling and install ceiling anchors. Attach mounting plate to junction box and attach screws to ceiling anchors for added support. (Fig. 2)
- Make wire connections: Attach ground wire to building ground wire using a wire nut or attach them to the mounting plate with a green ground screw.
  - **FOR DIMMING:** If using a dimmer, follow wiring instructions enclosed with dimmer. Double check wiring.
  - **FOR NON-DIMMING:** If not using a dimming switch, with wire nuts, cap off white and black wires individually. Wire positive wire with positive wire, negative wire with negative wire. Double check wiring.
- Tuck the wire connections neatly into the junction box.
- Place the fixture over the mounting bracket. Install the screws on the sides of the fixture to secure into the ceiling. (Fig. 3)
- Adjust the cable length by pressing the "cap" and pull/push the cable smoothly/carefully. The cables will auto-lock once release the "cap".
- Be sure to adjust the strain relief to assure the cable doesn't slip through.
- Turn power back on at fuse or circuit box.

Axiom pendant  
120-277v 3-6052-XX

oxygen

OXYGEN LIGHTING  
201 RAILHEAD RD, FORT WORTH, TX 76106  
TEL. (877) 607-0202 FAX. (877) 607-0203  
WWW.OXYGENLIGHTING.COM

ASSEMBLY INSTRUCTIONS