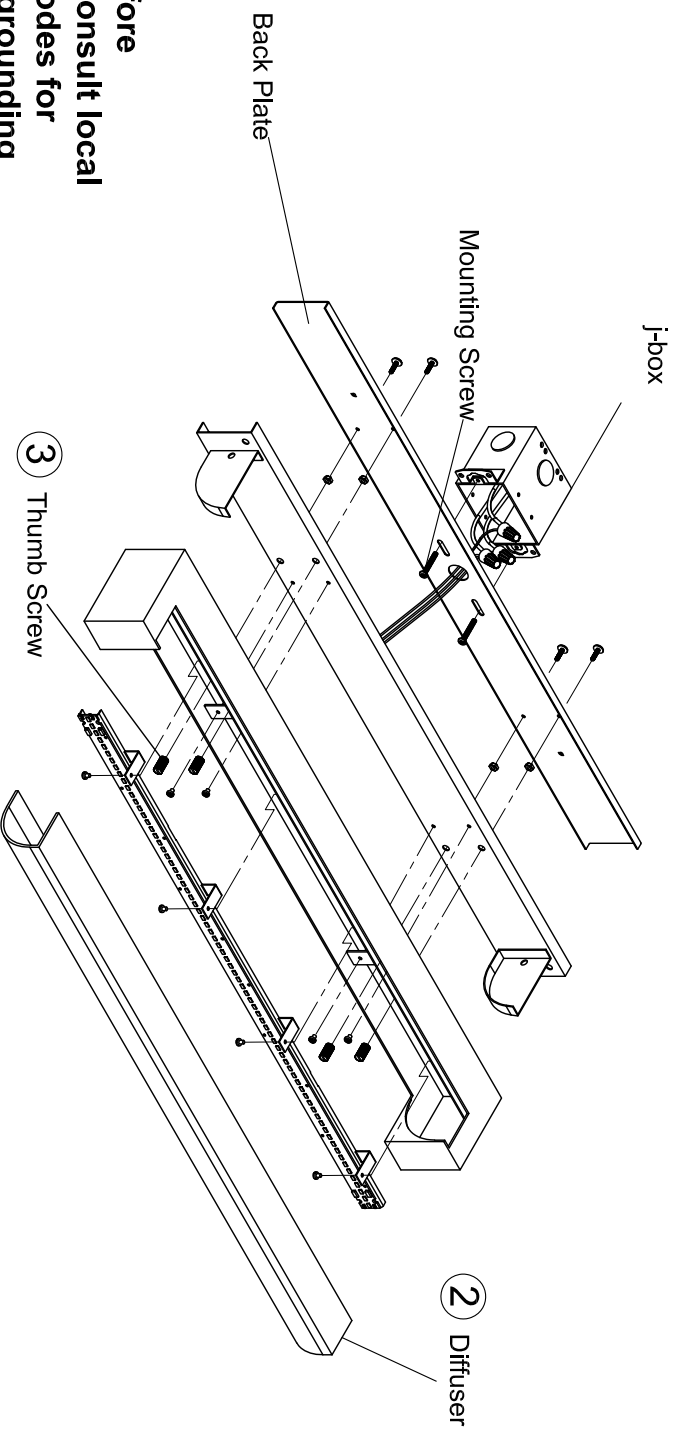


ASSEMBLY AND INSTALLATION INSTRUCTIONS

WARNING: TO AVOID RISK OF ELECTRICAL SHOCK, BE SURE TO SHUT OFF POWER PRIOR TO INSTALLING OR SERVICING THIS FIXTURE.



NOTE: Before installing, consult local electrical codes for wiring and grounding requirements.

Installation Steps

1. Carefully unpack your new fixture and lay out all the parts on clean surface. Take care not to lose any small parts necessary for installation
2. Remove diffuser by pushing back towards the flat end, allowing it to roll backwards off the body of the fixture.
3. Unscrew all four (4) thumb screws in order to separate back plate from the rest of the fixture. Secure back plate to the wall over the j-box by installing the mounting screws to the wall. Back plate should be secure against wall.
4. Make wire connections: Attach ground wire to building ground wire using a wire nut or attach them to the mounting plate with a green ground screw.
 - FOR DIMMING: If using a dimmer (not included), follow wiring instructions enclosed with dimmer. Double check wiring. Tuck the wire connections neatly into the junction box.
 - FOR NON-DIMMING: If not using a dimming switch, with wire nuts, cap off purple and gray wires individually. Wire neutral wire (white) with neutral wire (white), hot wire (black) with hot wire (black). Double check wiring. Tuck the wire connections neatly into the junction box.
5. Mount the fixture body to the back plate using the thumb screws.
6. Place the diffuser back onto the fixture by "rolling" it forward onto the fixture. Diffuser and fixture should be secure and snug against wall.
7. Turn power back on at fuse or circuit box.

BALANCE vanity

120V **3-547-XX & 3-549**

277V **37-547-XX & 37-549**

Oxygen

OXYGEN LIGHTING

201 RAILHEAD RD., FORT WORTH, TX 76106
TEL. (877) 607-0202 FAX (877) 607-0203
WWW.OXYGENLIGHTING.COM

ASSEMBLY INSTRUCTIONS