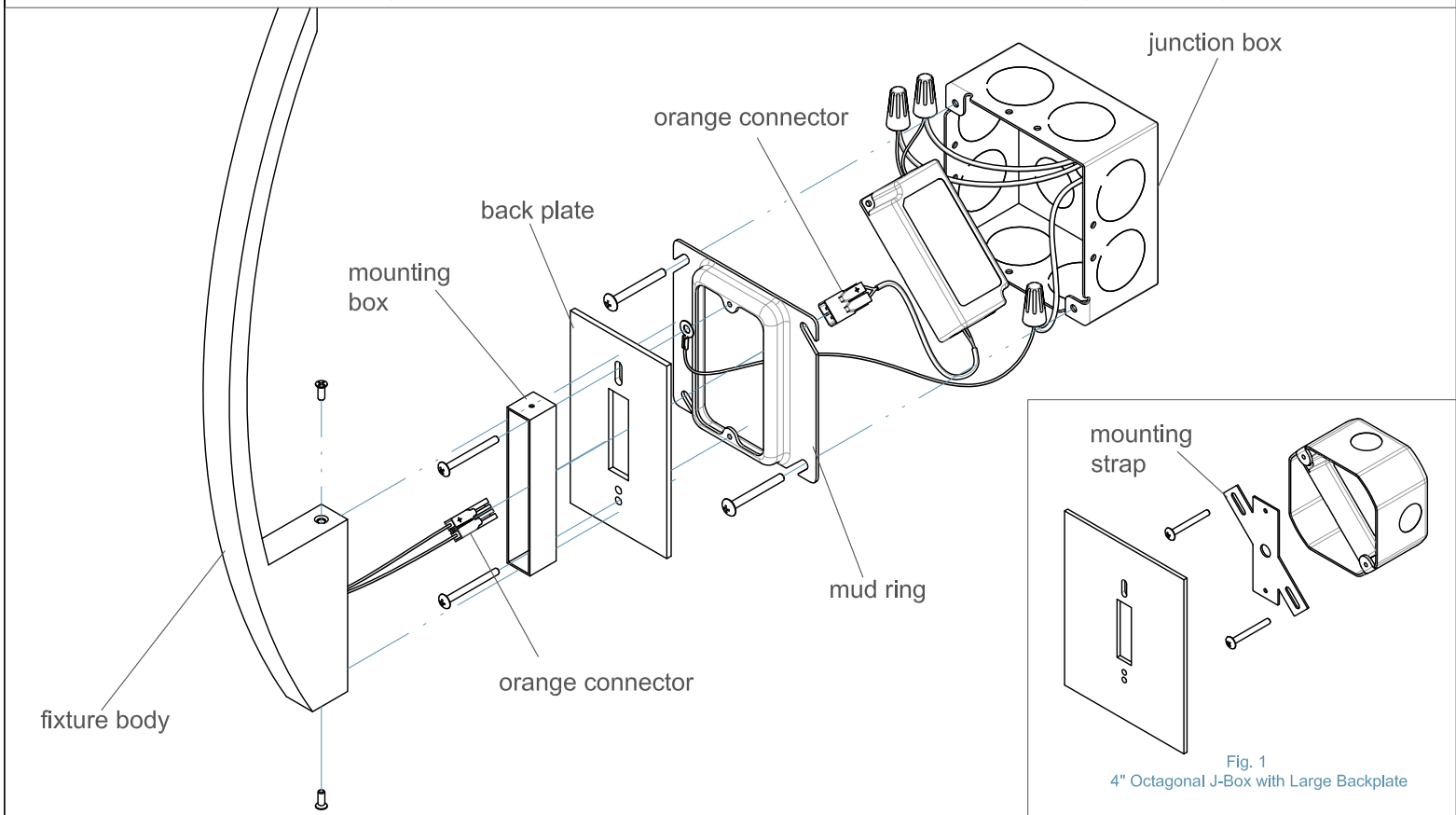


ASSEMBLY AND INSTALLATION INSTRUCTIONS

WARNING: TO AVOID RISK OF ELECTRICAL SHOCK, BE SURE TO SHUT OFF POWER PRIOR TO INSTALLING OR SERVICING THIS FIXTURE.

NOTE: Before installing, consult local electrical codes for wiring and grounding requirements.



Installation Steps

1. Carefully unpack your new fixture and lay out all the parts on clean surface. Take care not to lose any small parts necessary for installation.
2. Place driver inside j-box. Be sure to leave the orange connector accessible.
3. Make wire connections: Attach ground wire to building ground wire using a wire nut or attach them to the mounting plate with a green ground screw. Refer to driver label for wire identification.
 - **FOR DIMMING:** If using a dimmer (not included), follow wiring instructions enclosed with dimmer. Double check wiring. Tuck the wire connections neatly into the junction box.
 - **FOR NON-DIMMING:** If not using a dimming switch, with wire nuts, cap off purple and gray wires individually. Connect neutral wire (white) with neutral wire, hot wire (black) with hot wire. Double check wiring. Tuck the wire connections neatly into the junction box.
4. Secure back plate and fixture mounting box to the j-box. Be sure to keep both pieces level.
Note: If mounting to an Octagon j-box, secure the mounting strap to the j-box and then secure the large back plate to the mounting strap. See Fig. 1.
5. Pick up fixture body, and attach the orange connector from the driver to the orange connector from the fixture.
6. Place the fixture over the mounting box. Secure fixture to wall with provided screws.
7. Turn power back on at fuse or circuit box.

BOLO sconce
3-553-xx

OXYGEN LIGHTING ©

oxygen

OXYGEN LIGHTING
201 RAILHEAD RD, FORT WORTH, TX 76106
TEL. (877) 607-0202 FAX (877) 607-0203
WWW.OXYGENLIGHTING.COM

ASSEMBLY INSTRUCTIONS