

ASSEMBLY AND INSTALLATION INSTRUCTIONS

WARNING: TO AVOID RISK OF ELECTRICAL SHOCK, BE SURE TO SHUT OFF POWER PRIOR TO INSTALLING OR SERVICING THIS FIXTURE.

NOTE: Before installing, consult local electrical codes for wiring and grounding requirements.

INSTALLATION STEPS

1. Carefully unpack fixture and lay out all parts on a clean surface. Take care not to lose any small parts necessary for installation
2. Assemble arms 'A' in side holes on Distributor - Refer to Fig. 1
3. Assemble arms 'B' in top holes on Distributor - Refer to Fig. 1
4. Make wire connections inside the Distributor - All Black wires together and all Red wires together. Be sure to also attach the extra long Black and Red wires that will run through stems to the canopy - Refer to Fig. 2
5. Attach bottom cover plate to Distributor - Refer to Fig. 2
6. Attach stems - Determine length needed for installation. Feed Black/Red wires through the first stem, then attach stem to distributor. Feed wires through next stem then attach second stem to first stem and so on until the last stem is attached - Refer to Fig. 3
7. Attach canopy assembly to top stem - Refer to Fig. 3
8. Connect driver inside canopy - Refer to driver label for identification
 - Connect Black wire (negative) from light fixture to Output Black wire (negative) on driver - Refer to Fig. 4
 - Connect Red wire (positive) from light fixture to Output Red wire (positive) on driver - Refer to Fig. 4
9. Attach mounting plate to j-box - Feed building wires through center hole in mounting plate and attach to j-box using j-box screws - Refer to Fig. 4
10. Raise fixture to make wire connections - Refer to Fig. 4
 - Attach ground wire to building ground wire using a wire nut
 - Attach White (neutral) wire from driver to White wire from building using a wire nut
 - Attach Black (hot) wire from the driver to Black wire from building using a wire nut
11. Tuck wire connections into j-box and place canopy over mounting plate and secure using canopy mounting screws provided - Refer to Fig. 5
12. Attach glass globes - Large globes on bottom tier and small globes on top tier. Thread globes on fixture by turning clockwise - Refer to Fig. 5
13. Turn on power at fuse or circuit box and enjoy

Fig. 1

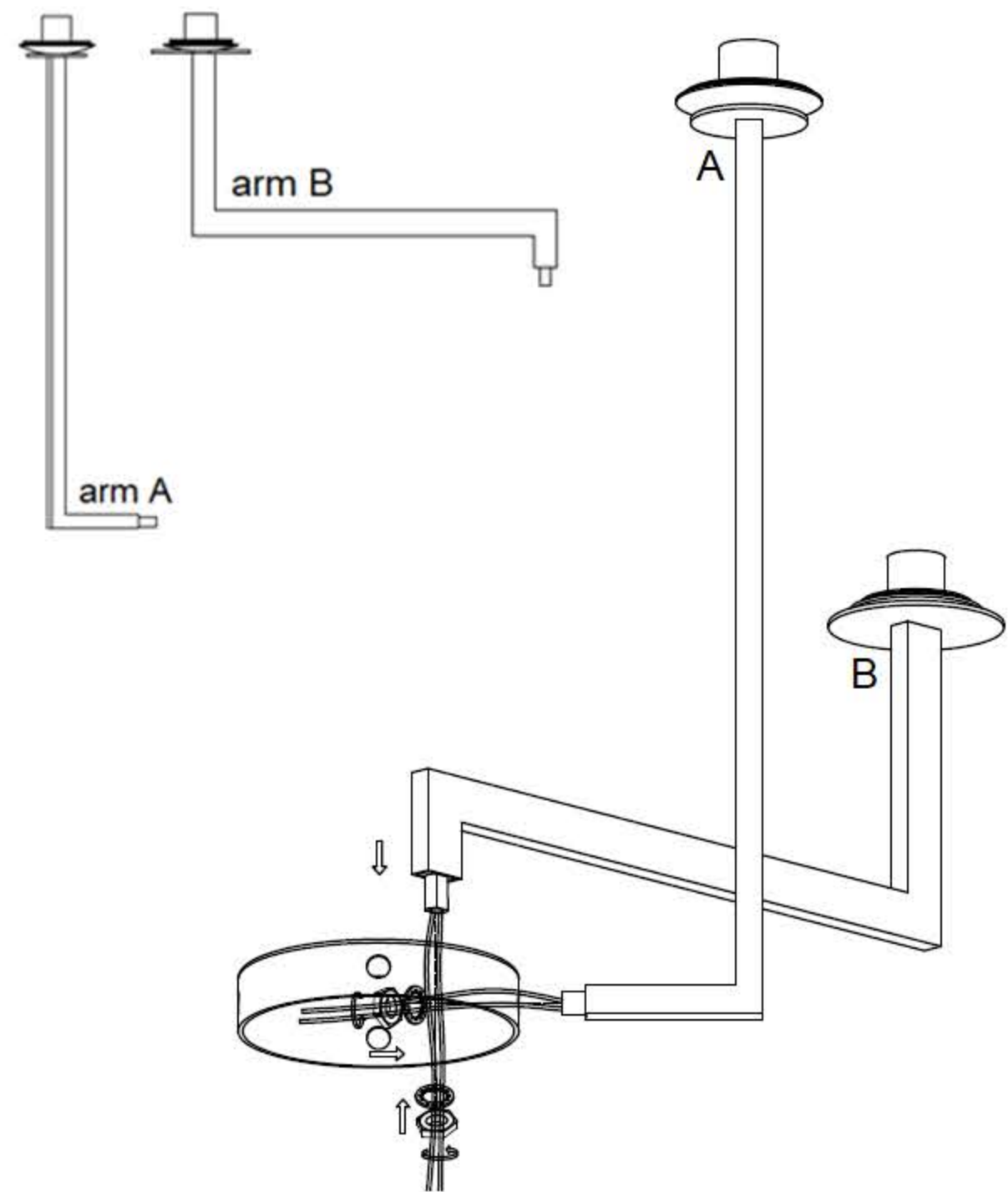


Fig. 2

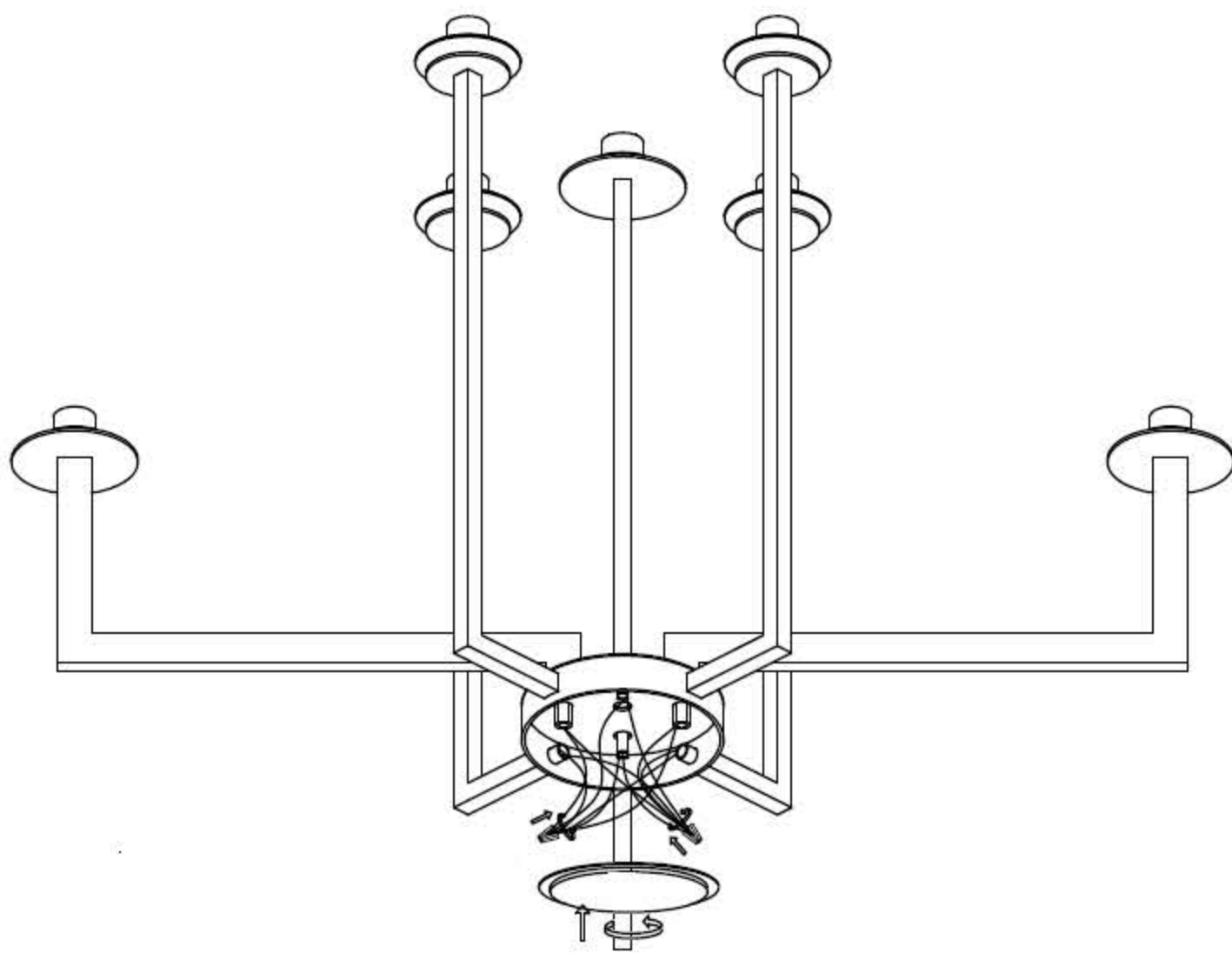
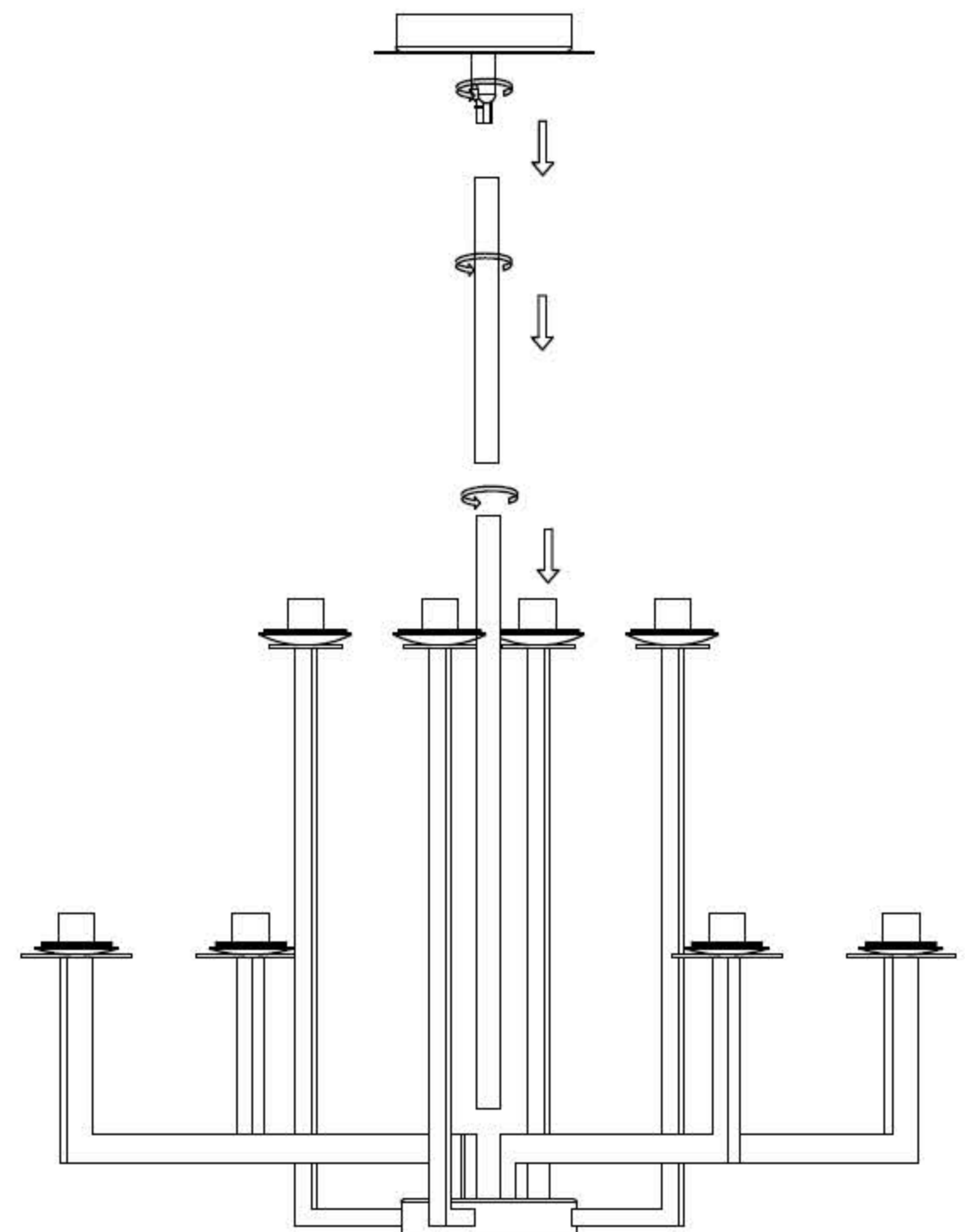


Fig. 3



oxygen

3-28-1540 Bonzo

ASSEMBLY
INSTRUCTIONS

ASSEMBLY AND INSTALLATION INSTRUCTIONS

WARNING: TO AVOID RISK OF ELECTRICAL SHOCK, BE SURE TO SHUT OFF POWER PRIOR TO INSTALLING OR SERVICING THIS FIXTURE.

NOTE: Before installing, consult local electrical codes for wiring and grounding requirements.

Fig.4

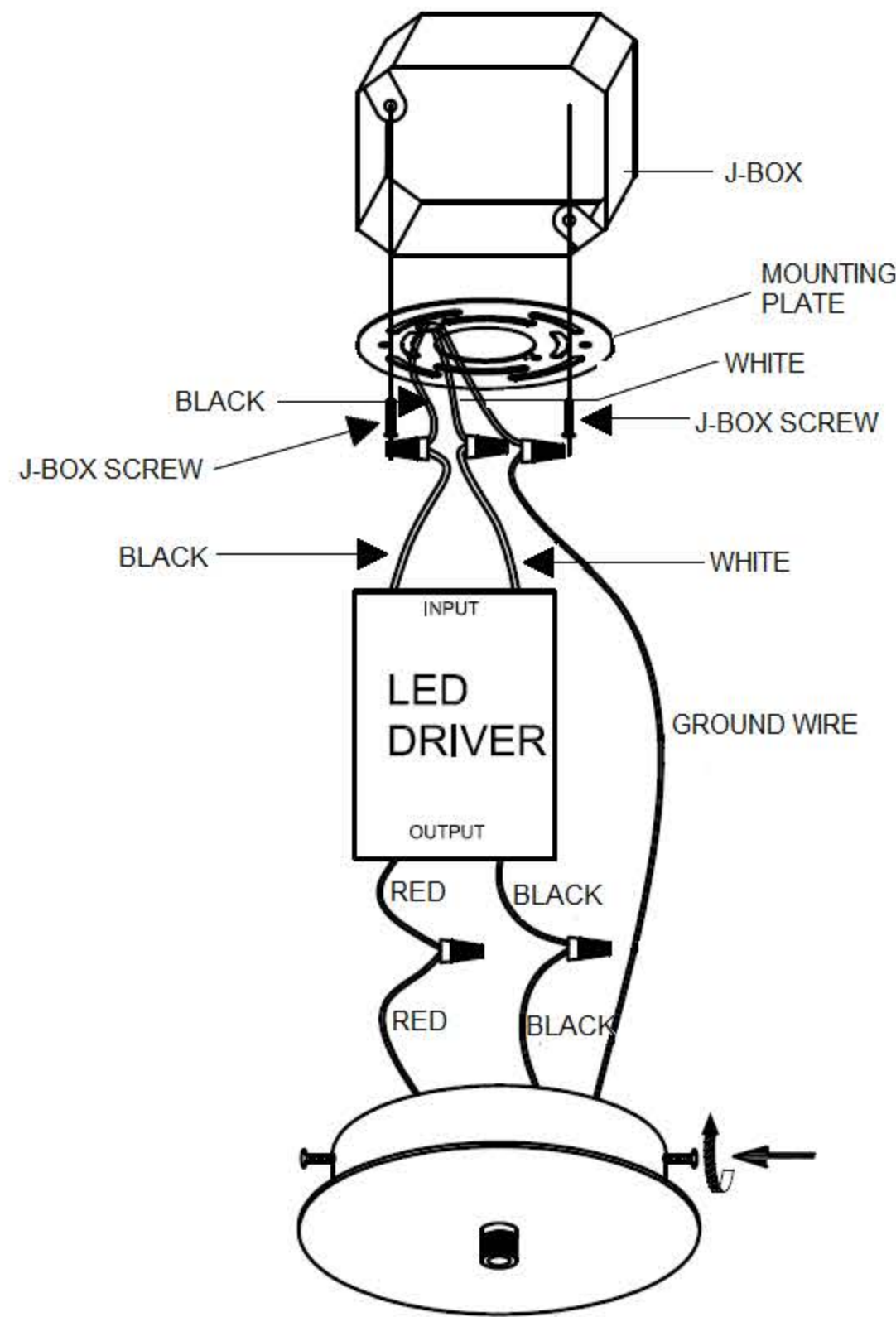
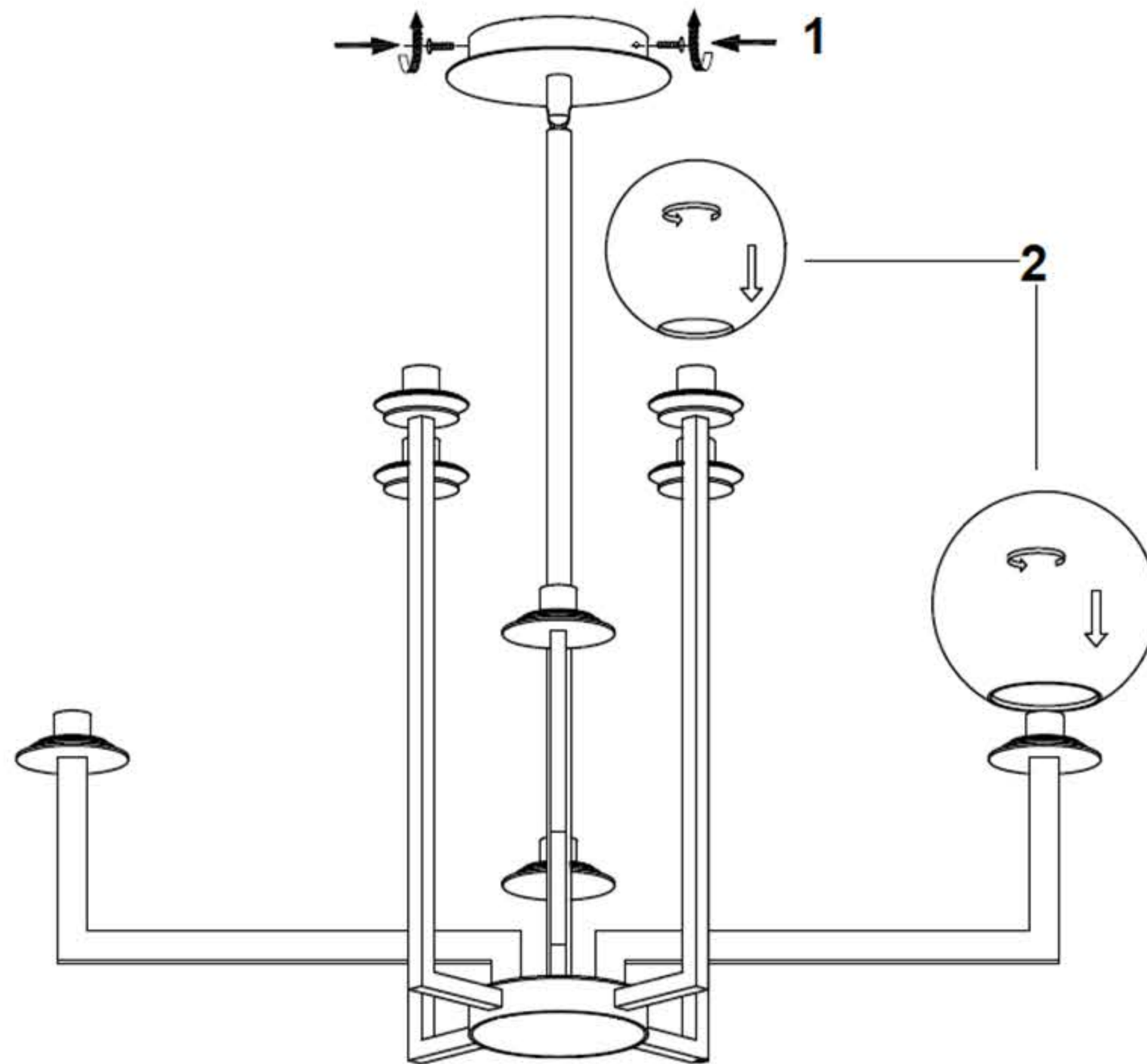


Fig. 5



oxygen

3-28-1540 Bonzo

**ASSEMBLY
INSTRUCTIONS**