

ASSEMBLY AND INSTALLATION INSTRUCTIONS

WARNING: TO AVOID RISK OF ELECTRICAL SHOCK, BE SURE TO SHUT OFF POWER PRIOR TO INSTALLING OR SERVICING THIS FIXTURE.

NOTE: Before installing, consult local electrical codes for wiring and grounding requirements.

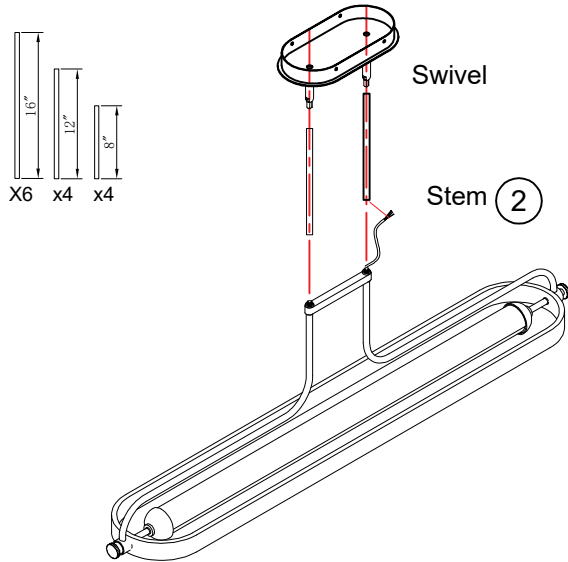


Fig.1

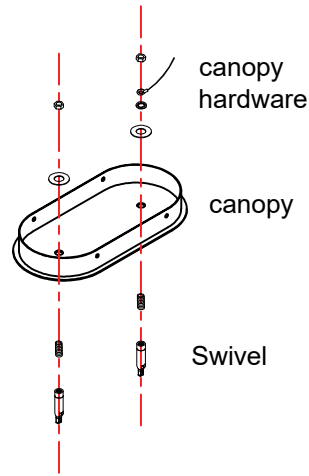
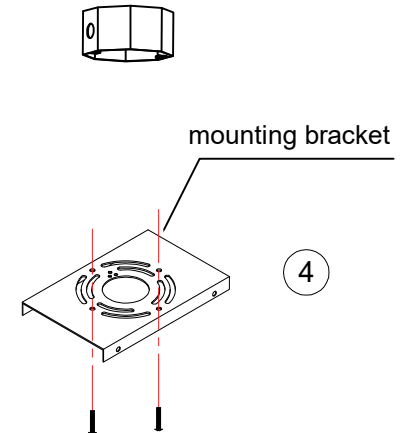


Fig.2



NOTICE: J-box must be secured to building structure

Fig.3

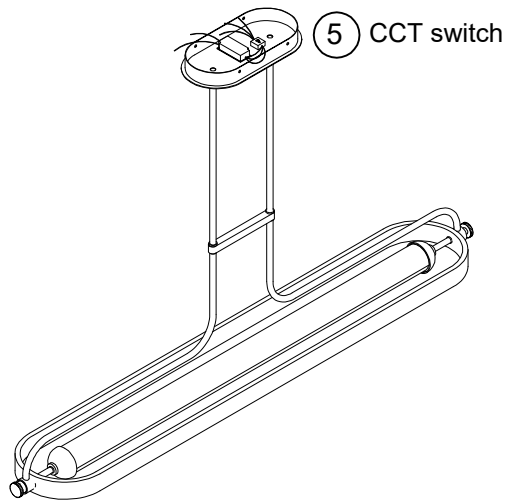


Fig.4

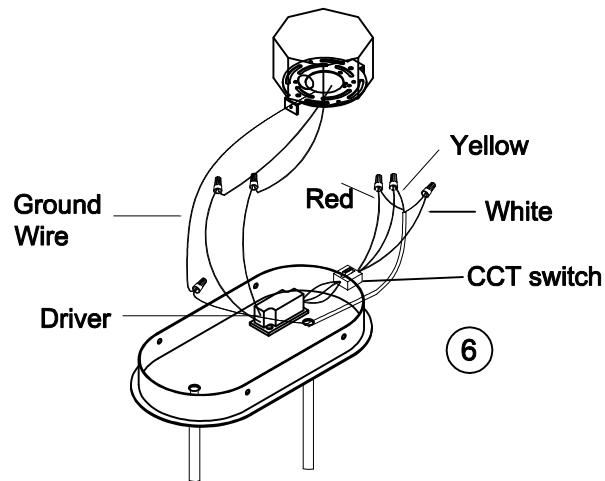


Fig.5

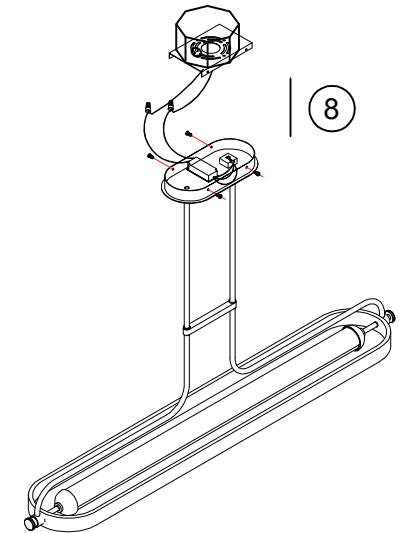


Fig.6

OXYGEN LIGHTING ©

oxygen

OXYGEN LIGHTING
201 RAILHEAD RD, FORT WORTH, TX 76106
TEL. (877) 607-0202 FAX. (877) 607-0203
WWW.OXYGENLIGHTING.COM

ASSEMBLY INSTRUCTIONS Page 1

ASSEMBLY AND INSTALLATION INSTRUCTIONS

WARNING: TO AVOID RISK OF ELECTRICAL SHOCK, BE SURE TO SHUT OFF POWER PRIOR TO INSTALLING OR SERVICING THIS FIXTURE.

NOTE: Before installing, consult local electrical codes for wiring and grounding requirements.

Installation Steps

1. Carefully unpack your new fixture and lay out all the parts on clean surface. Take care not to lose any small parts necessary for installation.
2. Determine the stem length required for installation, connect stems and thread wire through (Fig. 1).
3. Attach swivels to stems (Fig. 1) then attach to canopy using canopy hardware provided (Fig. 2).
4. Feed the wires from ceiling through mounting bracket then secure mounting bracket to outlet box with screws.
5. Select desired CCT: 2700, 3000K, 4000K, 5000K, 6500K on the CCT switch located in the canopy of fixture (Fig. 4).
6. Make wire connections using wire nuts provided (Fig. 5):
 - Red wire from the fixture to the red wire (V+) of the CCT switch
 - Yellow wire from the fixture to the yellow wire of the CCT switch
 - White wire from the fixture to the white wire of the CCT switch
 - White wire from the DRIVER to the white wire from the supply circuit
 - Black wire from the DRIVER to the black wire from the supply circuit
7. Attach ground wire to building ground wire using a wire nut or attach them to the mounting plate with a green ground screw.
FOR DIMMING: If using a dimmer, follow wiring instructions enclosed with dimmer. Double check wiring.
8. Tuck the wire connections neatly into the junction box.
9. Place the fixture over the mounting bracket. Install the screws on the sides of the fixture to secure into the ceiling (Fig. 6)
10. Turn power back on at fuse or circuit box.

BRAEM LINEAR
120-277V 3-812-XX