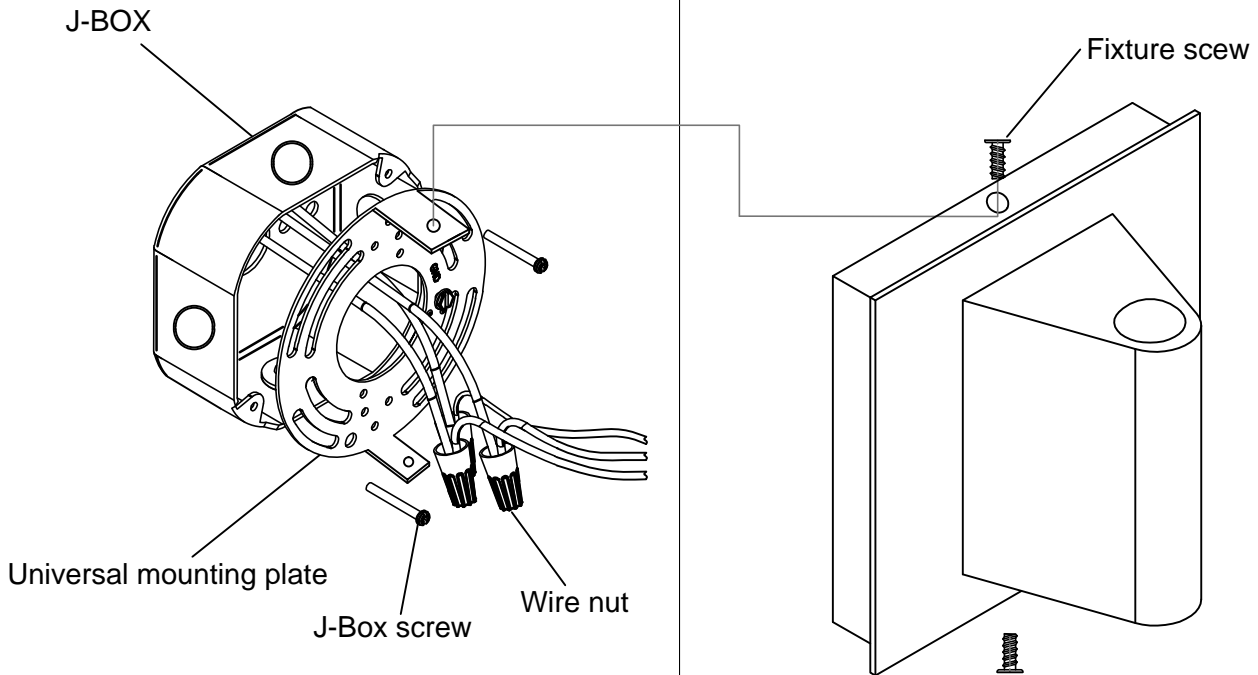


ASSEMBLY AND INSTALLATION INSTRUCTIONS

WARNING: TO AVOID RISK OF ELECTRICAL SHOCK, BE SURE TO SHUT OFF POWER PRIOR TO INSTALLING OR SERVICING THIS FIXTURE.

NOTE: Before installing, consult local electrical codes for wiring and grounding requirements.



Installation Steps

1. Carefully unpack your new fixture and lay out all the parts on a clean surface. Take care not to lose any small parts necessary for installation.
2. Remove fixture screw to release mounting plate. Thread building wires through mounting plate, then secure mounting plate with j-box screws.
3. Make wire connections.
 - Attach ground wire to building ground wire using a wire nut.
 - Attach white wire (neutral) from driver to white wire from building using a wire nut.
 - Attach black wire (hot) from driver to black wire from building using a wire nut.Tuck the wire connections neatly into the junction box.
4. Place fixture over mounting plate and reinstall fixture screw to securely mount fixture to wall.
5. Caulk around the top, bottom and sides of backplate to avoid water ingress with suitable RTV or silicone compound.
6. Turn on the power at fuse or circuit box.

OXYGEN LIGHTING ©

oxygen

CADET Outdoor
3-748-15 / 3-748-16

ASSEMBLY INSTRUCTIONS