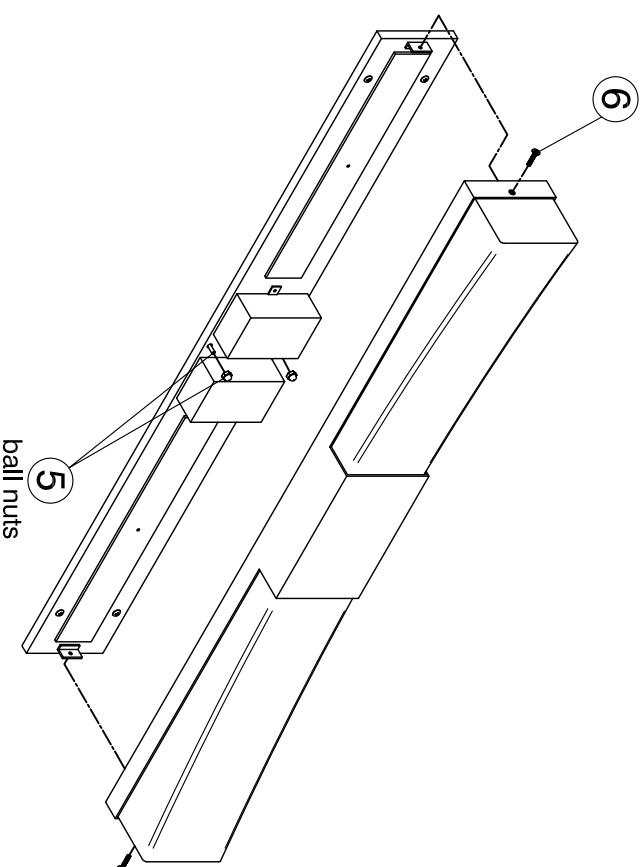
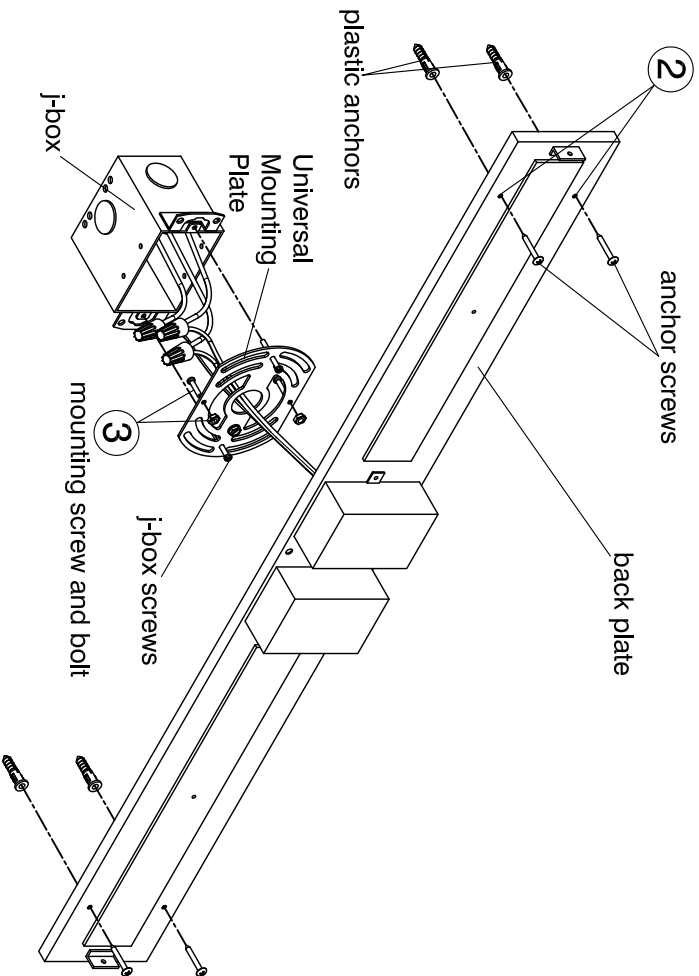


# ASSEMBLY AND INSTALLATION INSTRUCTIONS

**WARNING: TO AVOID RISK OF ELECTRICAL SHOCK, BE SURE TO SHUT OFF POWER PRIOR TO INSTALLING OR SERVICING THIS FIXTURE.**

**NOTE: Before installing, consult local electrical codes for wiring and grounding requirements.**



## Installation Steps

1. Carefully unpack your new fixture and lay out all the parts on clean surface. Take care not to lose any small parts necessary for installation.
2. Hold back plate up against wall where it will be installed. While back plate is leveled horizontally, use a pen or a pencil to make a mark on the wall at holes located near each end of back plate. Set aside back plate and drill  $\frac{1}{4}$ " holes. Insert plastic anchors into the holes made into the wall.
3. On the universal mounting plate, install the two mounting screws with bolts like shown. Attach the universal mounting plate to the j-box with j-box screws.
4. Make wire connections: Attach ground wire to building ground wire using a wire nut or attach them to the mounting plate with a green ground screw.
  - **FOR DIMMING:** If using a dimmer (not included), follow wiring instructions enclosed with dimmer. Double check wiring. Tuck the wire connections neatly into the junction box.
  - **FOR NON-DIMMING:** If not using a dimming switch, with wire nuts, cap off purple and gray wires individually. Wire positive wire with positive wire, negative wire with negative wire. Double check wiring. Tuck the wire connections neatly into the junction box.
5. Install mounting plate by guiding the mounting holes over the mounting screws and secure with provided ball nuts and the four anchor screws like shown.
6. Place the diffuser cover over the back plate and secure with provided screws.
7. Turn power back on at fuse or circuit box.

**CRESCENT** vanity  
120V **3-582-XX**  
277V **37-582-XX**

# oxygen

OXYGEN LIGHTING  
201 RAILHEAD RD, FORT WORTH, TX 76106  
TEL. (877) 607-0202 FAX (877) 607-0203  
WWW.OXYGENLIGHTING.COM

ASSEMBLY INSTRUCTIONS