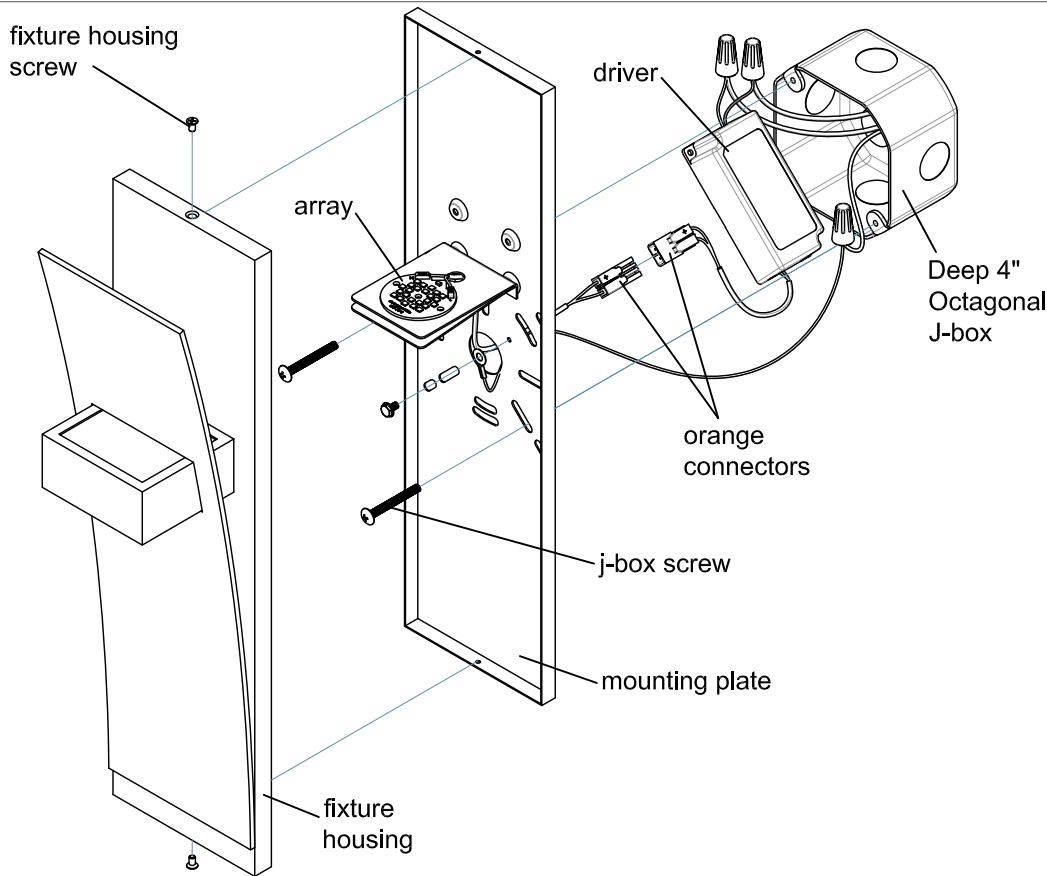


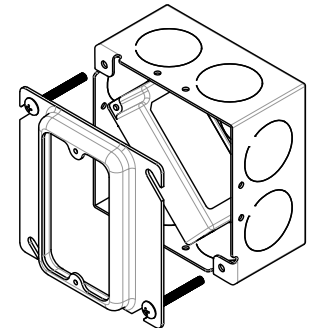
ASSEMBLY AND INSTALLATION INSTRUCTIONS

WARNING: TO AVOID RISK OF ELECTRICAL SHOCK, BE SURE TO SHUT OFF POWER PRIOR TO INSTALLING OR SERVICING THIS FIXTURE.

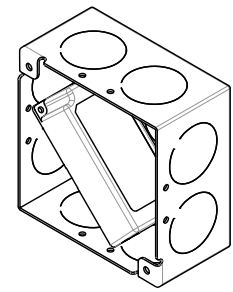
NOTE: Before installing, consult local electrical codes for wiring and grounding requirements.



Alternate Mounting Options



Deep 4" Square J-box with Single Device Mud Ring



Deep 4" Square J-box

Installation Steps

1. Carefully unpack your new fixture and lay out all the parts on clean surface. Take care not to lose any small parts necessary for installation.
2. Place driver inside j-box. Be sure to leave the orange connector accessible.
3. Make wire connections: Attach ground wire to building ground wire using a wire nut or attach them to the mounting plate with a green ground screw. Refer to driver label for wire identification.
 - **FOR DIMMING:** If using a dimmer (not included), follow wiring instructions enclosed with dimmer. Double check wiring. Tuck the wire connections neatly into the junction box.
 - **FOR NON-DIMMING:** If not using a dimming switch, with wire nuts, cap off purple and gray wires individually. Connect neutral wire (white) with neutral wire, hot wire (black) with hot wire. Double check wiring. Tuck the wire connections neatly into the junction box.
4. Connect the orange connector from the mounting plate to the orange connector from the driver. Secure mounting plate to the j-box using j-box screws.
5. Pick up fixture housing, and attach the housing to the mounting plate with the fixture housing screws. Be careful not to scratch or damage the arrays while placing the fixture housing over the mounting plate.
6. Turn power back on at fuse or circuit box.

DARIO sconce
3-400-XXXX

OXYGEN LIGHTING ©

oxygen

OXYGEN LIGHTING
201 RAILHEAD RD, FORT WORTH, TX 76106
TEL. (877) 607-0202 FAX (877) 607-0203
WWW.OXYGENLIGHTING.COM

ASSEMBLY INSTRUCTIONS