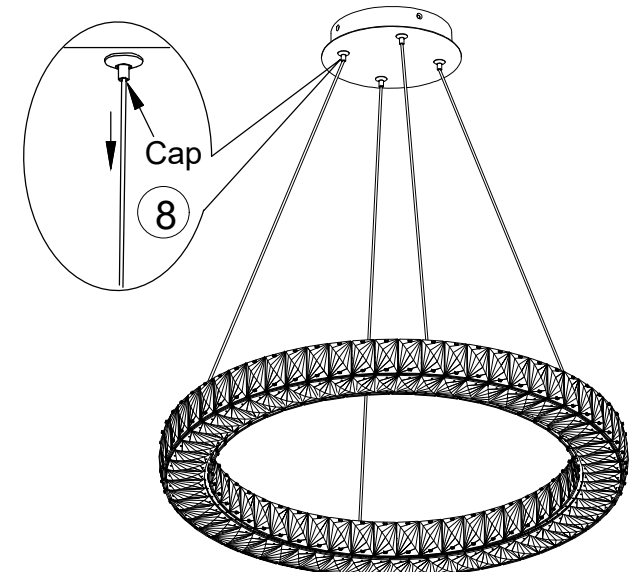
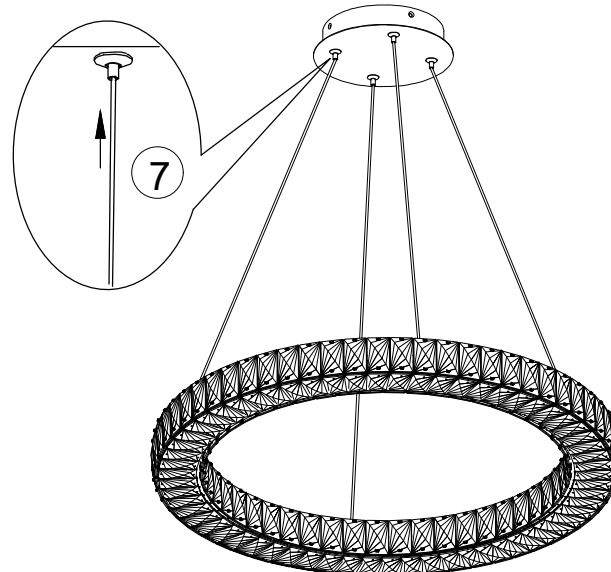
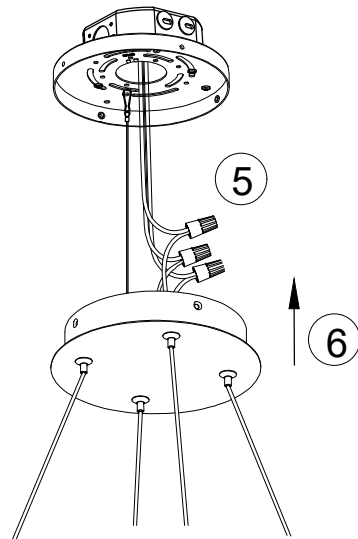
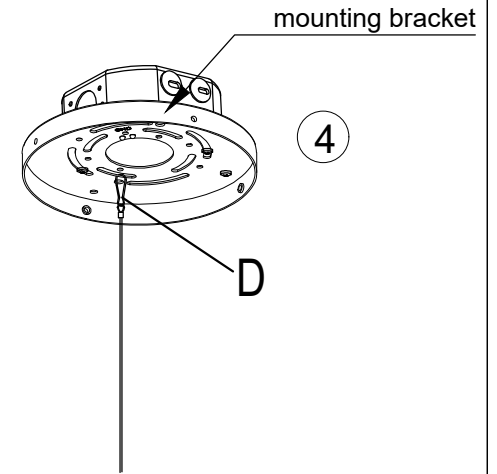
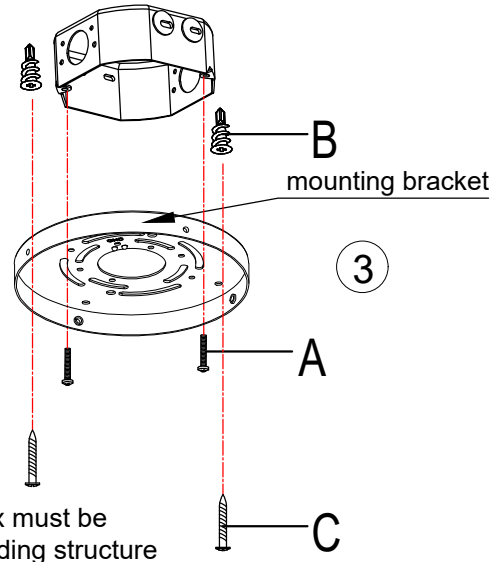
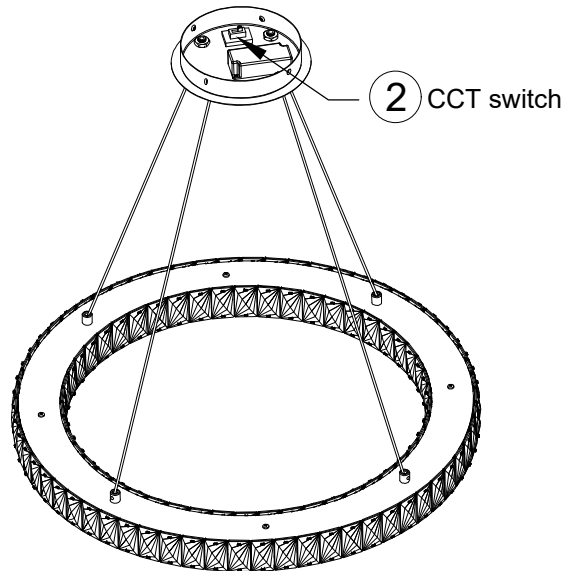


ASSEMBLY AND INSTALLATION INSTRUCTIONS

WARNING: TO AVOID RISK OF ELECTRICAL SHOCK, BE SURE TO SHUT OFF POWER PRIOR TO INSTALLING OR SERVICING THIS FIXTURE.

NOTE: Before installing, consult local electrical codes for wiring and grounding requirements.



OXYGEN LIGHTING ©

oxygen

OXYGEN LIGHTING
201 RAILHEAD RD, FORT WORTH, TX 76106
TEL. (877) 607-0202 FAX. (877) 607-0203
WWW.OXYGENLIGHTING.COM

ASSEMBLY INSTRUCTIONS

Page 1

ASSEMBLY AND INSTALLATION INSTRUCTIONS

WARNING: TO AVOID RISK OF ELECTRICAL SHOCK, BE SURE TO SHUT OFF POWER PRIOR TO INSTALLING OR SERVICING THIS FIXTURE.

NOTE: Before installing, consult local electrical codes for wiring and grounding requirements.

Installation Steps

1. Carefully unpack your new fixture and lay out all the parts on clean surface. Take care not to lose any small parts necessary for installation.
2. Select desired color temperature by turning the selectable CCT switch: 3000K, 3500K or 4000K.
3. Install the three anchors (B) into the ceiling until secure. Attach the mounting bracket to the junction box (not included) with junction box screws (A). Thread the wood screws (C) into the marked locations.
4. Hang the safety cable (D) on the mounting bracket .
5. Make wire connections: Attach ground wire to building ground wire using a wire nut or attach them to the mounting plate with a green ground screw.
 - FOR DIMMING: If using a dimmer, follow wiring instructions enclosed with dimmer. Double check wiring.
 - FOR NON-DIMMING: If not using a dimming switch, with wire nuts, cap off white and black wires individually. Wire positive wire with positive wire, negative wire with negative wire. Double check wiring.
6. Place the fixture over the mounting bracket. Install the three screws on the sides of the fixture to secure into the ceiling.
7. Push each of the four guide wires up into the canopy.
8. Press the cap up and pull each of the four guide wires down.
9. Turn power back on at fuse or circuit box.

Èlan pendent
120-277v **3-874-XX**
120-277v **3-875-XX**
120-277v **3-876-XX**