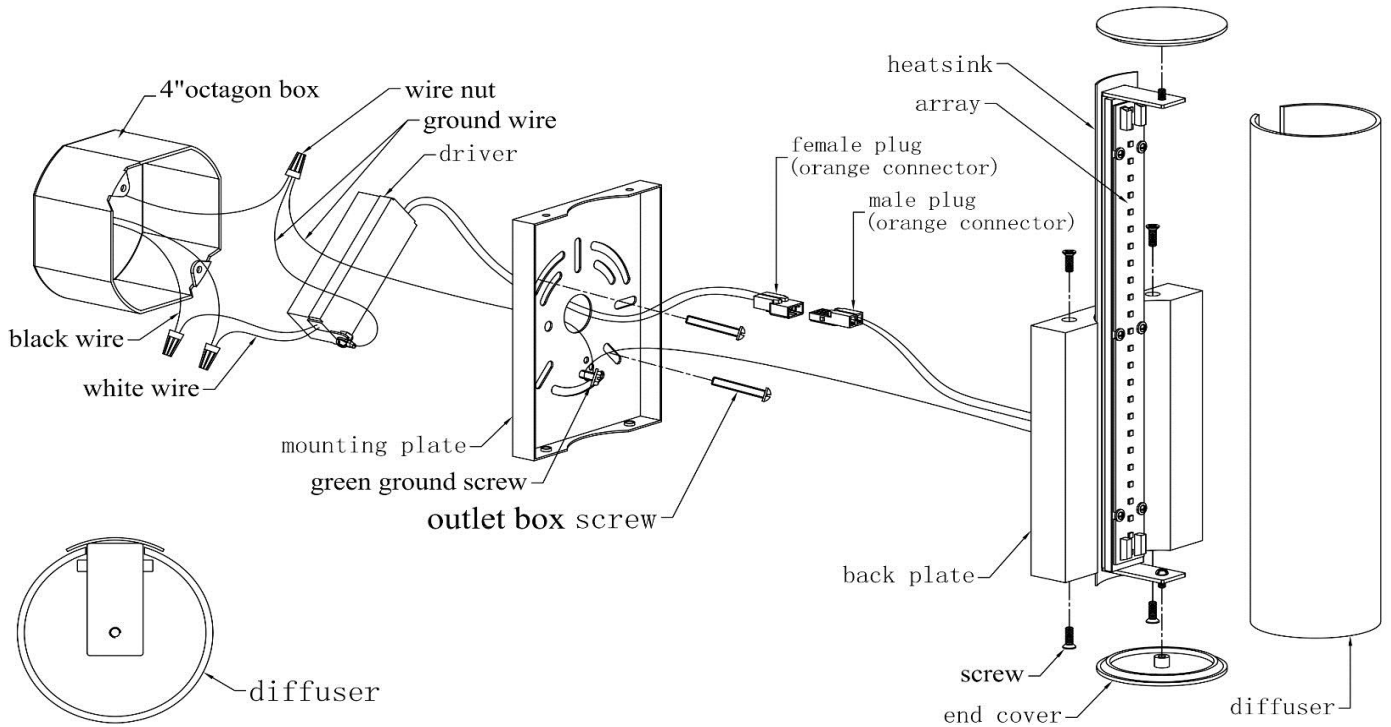


ASSEMBLY AND INSTALLATION INSTRUCTIONS

WARNING: TO AVOID RISK OF ELECTRICAL SHOCK, BE SURE TO SHUT OFF POWER PRIOR TO INSTALLING OR SERVICING THIS FIXTURE.

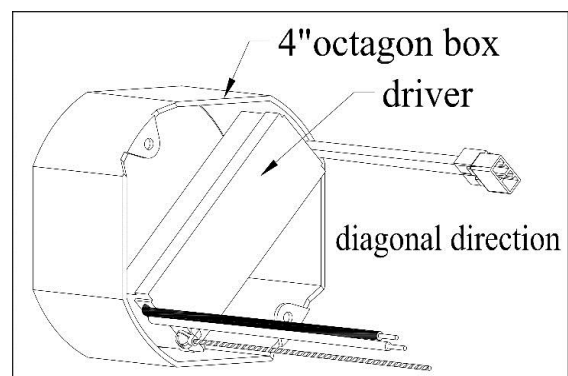
NOTE: Before installing, consult local electrical codes for wiring and grounding requirements.



Installation Steps

1. Carefully unpack your new fixture and lay out all the parts on a clean surface. Take care not to lose any small parts necessary for installation.
2. Gently place driver in outlet box (Deep Octagon or Deep 4"x4" with mud ring).
3. Make wire connections:
 - Attach ground wire to house ground wire using a wire nut or Attach them to the mounting plate with a green ground screw.
 - Attach white wire from driver to white wire from power source with a wire nut.
 - Attach black wire from driver to black wire from power source with a wire nut.Observing: hot wire with hot wire, neutral wire with neutral wire, ground wire with ground wire.
***Make sure all wire connections are secured and do not easily pull off with the slight tug.
4. Feed orange connector from driver through the mounting plate and secure mounting plate to outlet box with outlet box screws and anchor screws.
5. Connect orange connectors from driver and fixture wires.
6. Attach the backplate w/ wall plate to the mounting plate, then fasten it with two mounting screws each on top and bottom of backplate.
7. Slide the diffuser onto slotted heatsink then fasten end covers on diffuser at both ends.
8. Turn on the power at fuse or circuit box.

* see driver in Outlet box ↓



oxygen

Fugit Sconce
3-5010-xx

ASSEMBLY INSTRUCTIONS