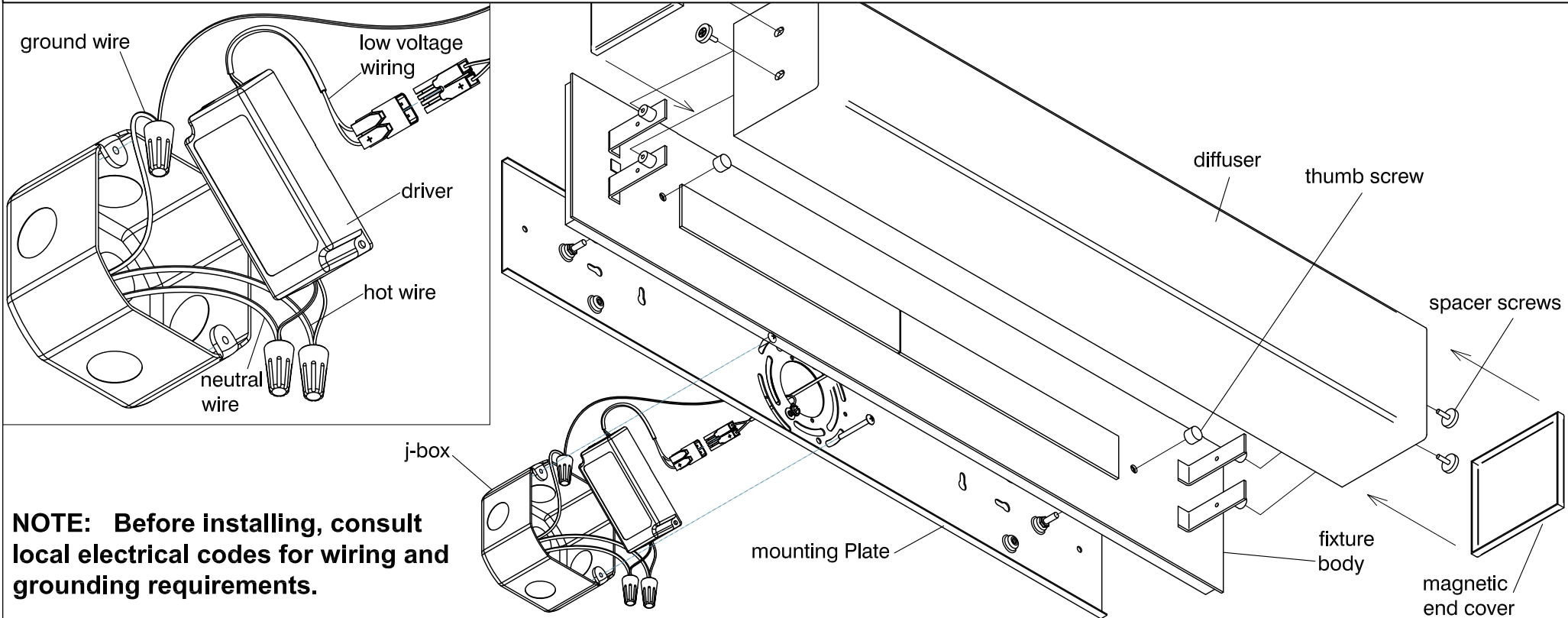


# ASSEMBLY AND INSTALLATION INSTRUCTIONS

**WARNING: TO AVOID RISK OF ELECTRICAL SHOCK, BE SURE TO SHUT OFF POWER PRIOR TO INSTALLING OR SERVICING THIS FIXTURE.**



**NOTE: Before installing, consult local electrical codes for wiring and grounding requirements.**

## Installation Steps

1. Carefully unpack your new fixture and lay out all the parts on clean surface. Take care not to lose any small parts necessary for installation.
2. Remove magnetic end covers by pulling away from end of fixture. Next remove the four screws with spacers to free the diffuser. Remove the two thumb screws to release the mounting plate.
3. Place driver inside J-box and make wire connections. Attach ground wire to building ground wire using a wire nut or attach them to the mounting plate with a green ground screw.
  - **FOR DIMMING:** If using a dimmer (not included), follow wiring instructions enclosed with dimmer. Double check wiring. Tuck the wire connections neatly into the junction box.
  - **FOR NON-DIMMING:** If not using a dimming switch, with wire nuts, cap off purple and gray wires individually. Connect neutral wire (white) with neutral wire, hot wire (black) with hot wire. Double check wiring. Tuck the wire connections neatly into the junction box, while leaving the orange connector accessible. Refer to driver label for wire identification.
4. Hold the mounting plate on the wall to match the mounting position and drill a 1/4" hole through the mounting plate holes at ends of mounting plate. Insert the plastic anchor into the 1/4" hole. Secure the mounting plate to the J-box by installing the J-box screws. Secure the ends of the mounting plate to the wall with the anchor screws.
5. Connect the orange connectors together and install fixture body to mounting plate by fitting the fixture over the two long screws threads on the mounting plate. Secure the fixture by installing the thumb screws. Fixture should be secure against wall and mounting plate.
6. Slide diffuser over the four supports and replace the the four spacer screws. Replace magnetic end covers.
7. Turn power back on at fuse or circuit box.

**FUSE scone  
3-544-xx**

**oxygen**

**OXYGEN LIGHTING**  
201 RAILHEAD RD, FORT WORTH, TX 76106  
TEL. (877) 607-0202 FAX (877) 607-0203  
WWW.OXYGENLIGHTING.COM

**ASSEMBLY INSTRUCTIONS**