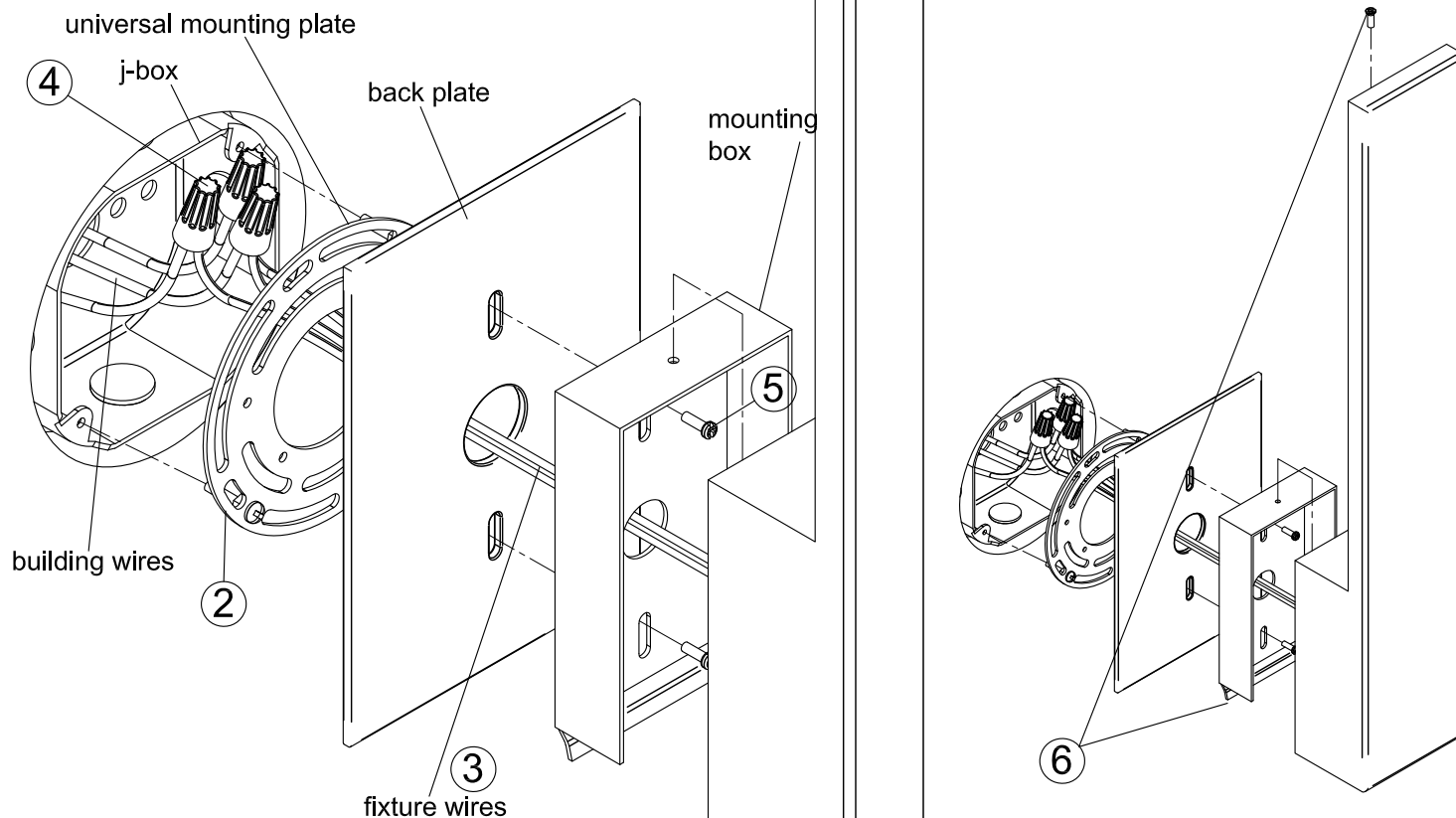


ASSEMBLY AND INSTALLATION INSTRUCTIONS

WARNING: TO AVOID RISK OF ELECTRICAL SHOCK, BE SURE TO SHUT OFF POWER PRIOR TO INSTALLING OR SERVICING THIS FIXTURE.

NOTE: Before installing, consult local electrical codes for wiring and grounding requirements.



Installation Steps

1. Carefully unpack your new fixture and lay out all the parts on clean surface. Take care not to lose any small parts necessary for installation.
2. Mount universal mounting plate to J-box.
3. Thread fixture wires through mounting box and back plate (back plate optional on 2"x3" j-box)
4. Make wire connections: Attach ground wire to building ground wire using a wire nut or attach them to the mounting plate with a green ground screw. Refer to driver label for wire identification.
 - **FOR DIMMING:** If using a dimmer (not included), follow wiring instructions enclosed with dimmer. Double check wiring. Tuck the wire connections neatly into the junction box.
 - **FOR NON-DIMMING:** If not using a dimming switch, with wire nuts, cap off purple and gray wires individually. Connect neutral wire (white) with neutral wire, hot wire (black) with (black) wire. Double check wiring. Tuck the wire connections neatly into the junction box.
5. Secure mounting box and back plate (if chosen to install back plate) to universal mounting plate with provided screws.
6. Place the fixture over the mounting box. Bottom lip should be inside fixture and fixture should be flat against wall. Secure fixture to wall with provided screw.
7. Turn power back on at fuse or circuit box.

ICON scone
3-511-xx

OXYGEN LIGHTING ©

oxygen

OXYGEN LIGHTING
201 RAILHEAD RD, FORT WORTH, TX 76106
TEL. (877) 607-0202 FAX (877) 607-0203
WWW.OXYGENLIGHTING.COM

ASSEMBLY INSTRUCTIONS