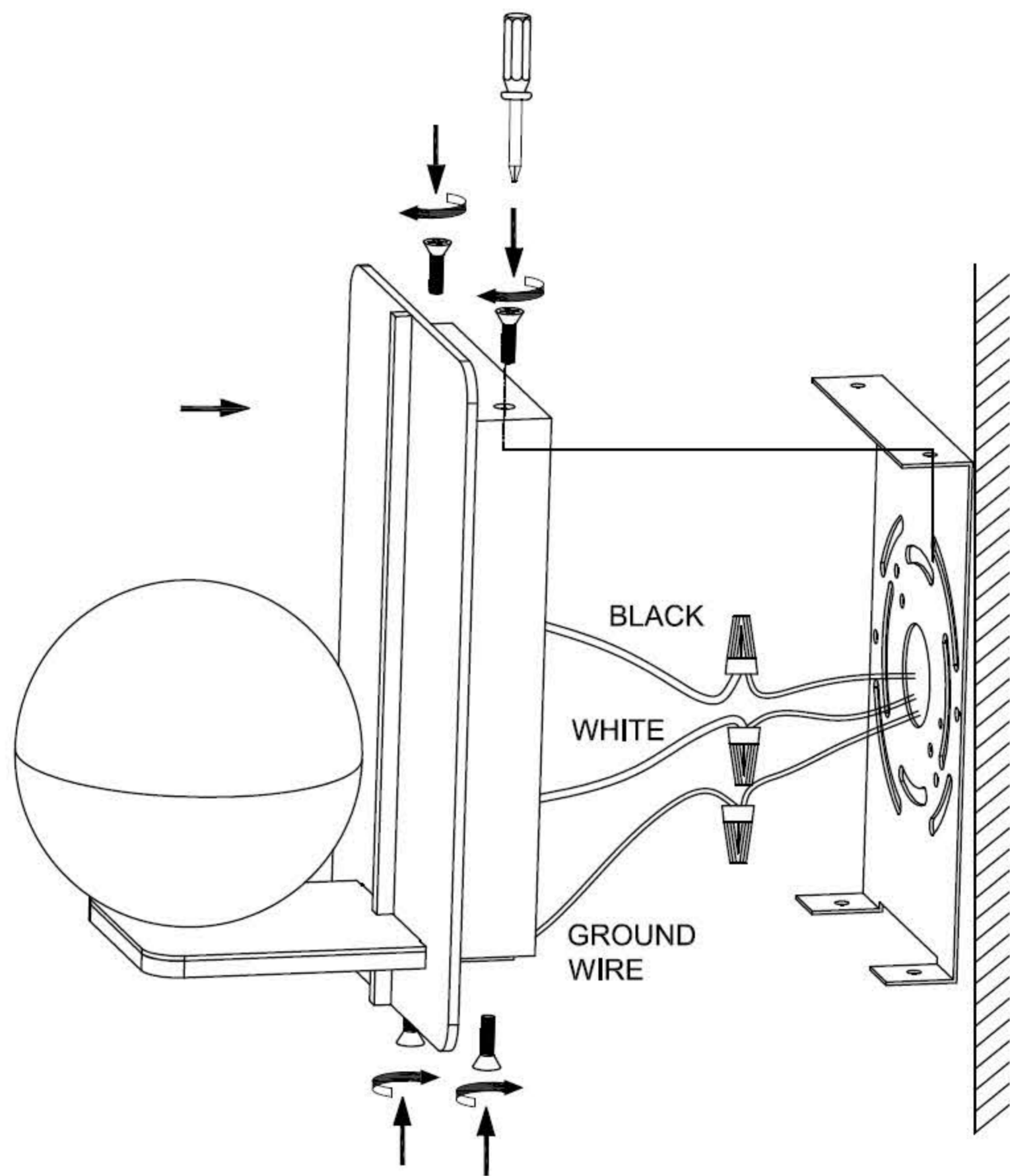
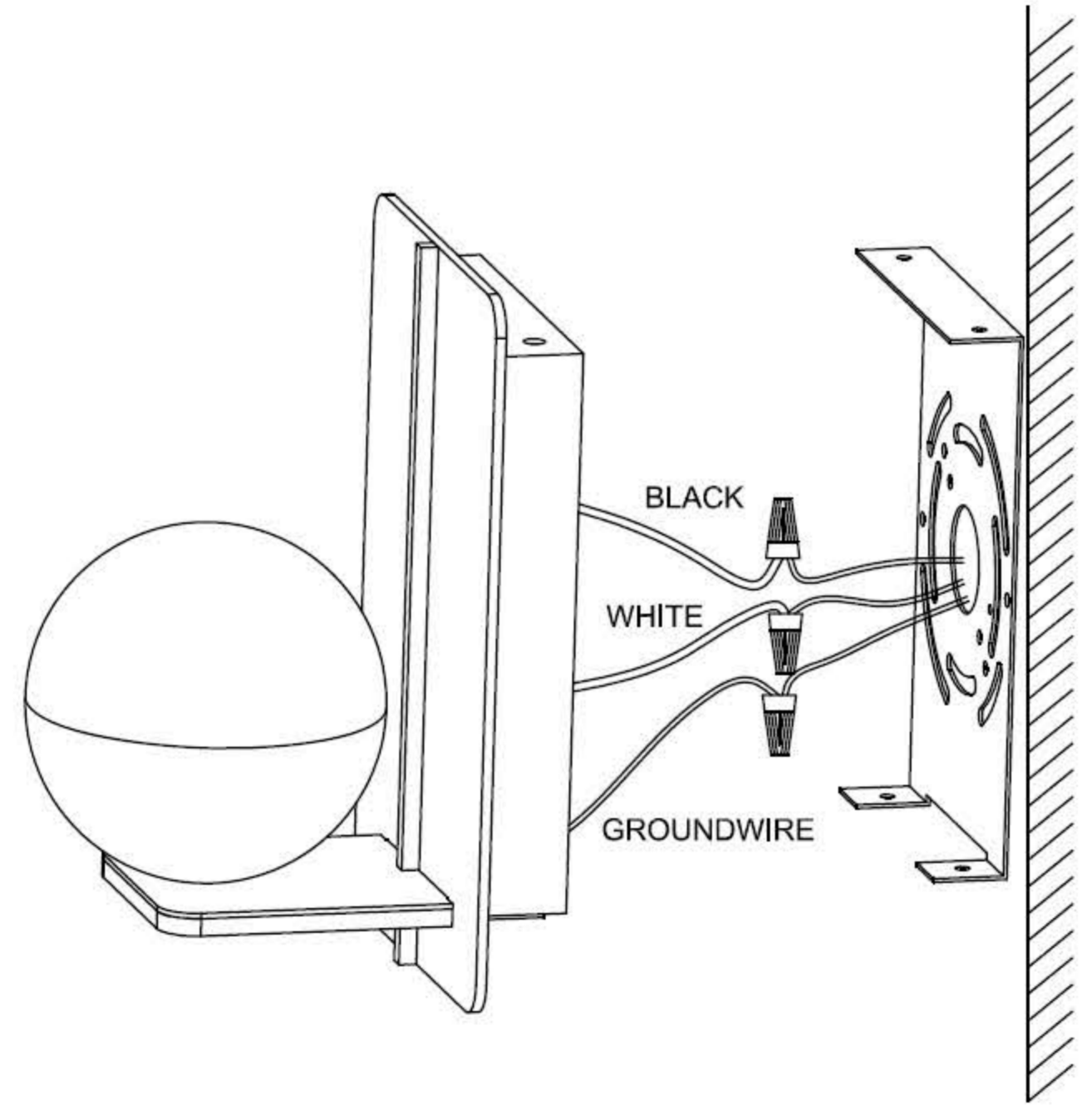
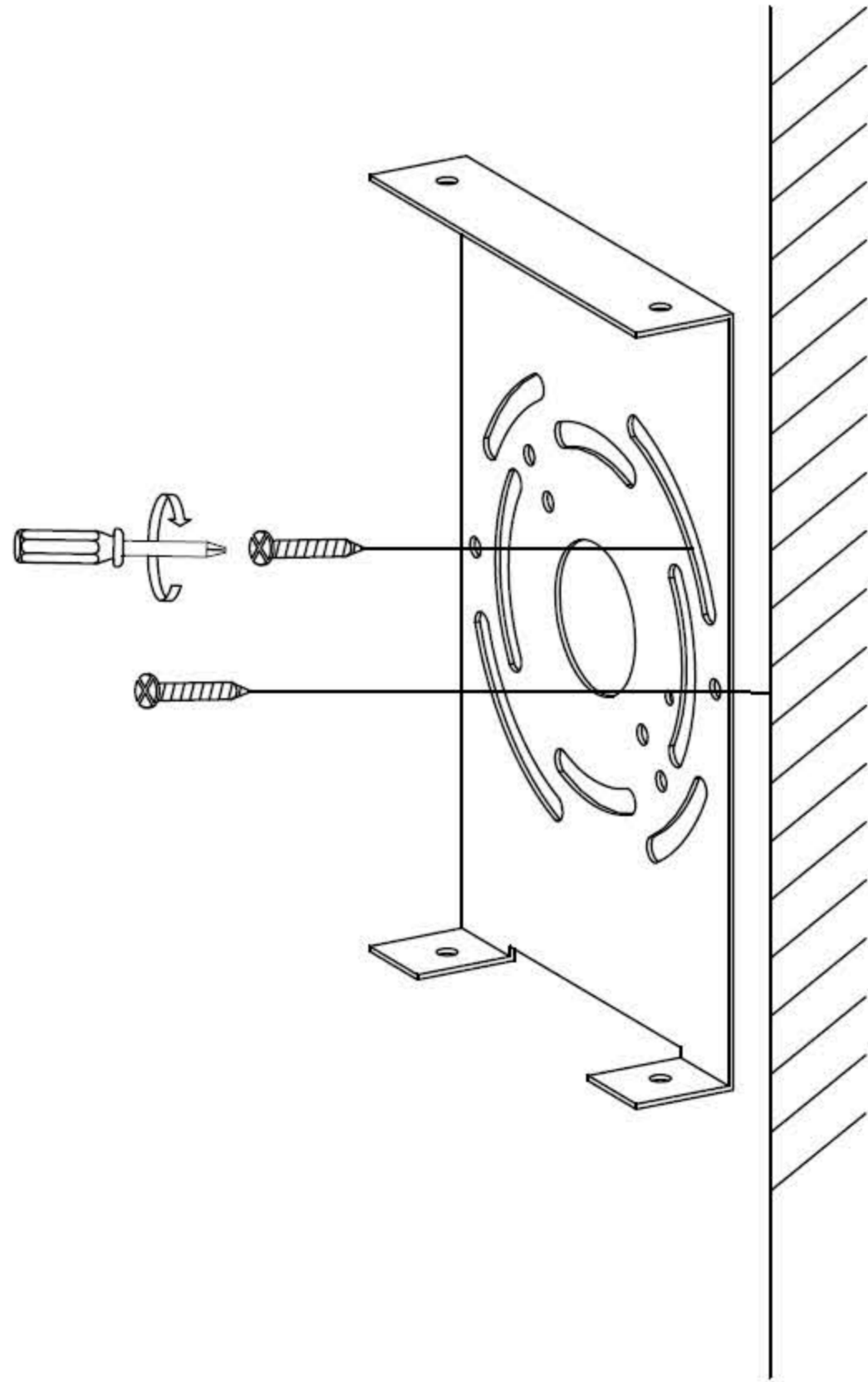


# ASSEMBLY AND INSTALLATION INSTRUCTIONS

**WARNING: TO AVOID RISK OF ELECTRICAL SHOCK, BE SURE TO SHUT OFF POWER PRIOR TO INSTALLING OR SERVICING THIS FIXTURE.**

**NOTE:** Before installing, consult local electrical codes for wiring and grounding requirements.



## INSTALLATION STEPS

1. Carefully unpack fixture and lay out all parts on a clean surface. Take care not to lose any small parts necessary for installation
2. Feed building wires through center hole in mounting plate and secure mounting plate to j-box using j-box screws
3. Make wire connections:
  - Attach ground wire to building ground wire using a wire nut
  - Attach White (neutral) wire to White wire from building using a wire nut
  - Attach Black (hot) wire to Black wire from building using a wire nut
4. Tuck wire connections neatly into the j-box
5. Place fixture over mounting plate and secure with mounting screws provided
6. Turn on power at fuse or circuit box and enjoy

OXYGEN LIGHTING ©

**oxygen**

**3-554-1524/ Iota**  
**3-554-1540**

**ASSEMBLY  
INSTRUCTIONS**