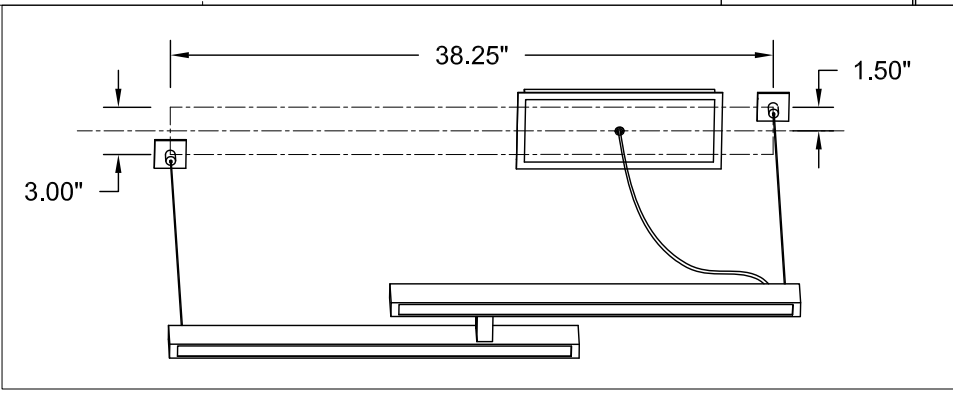
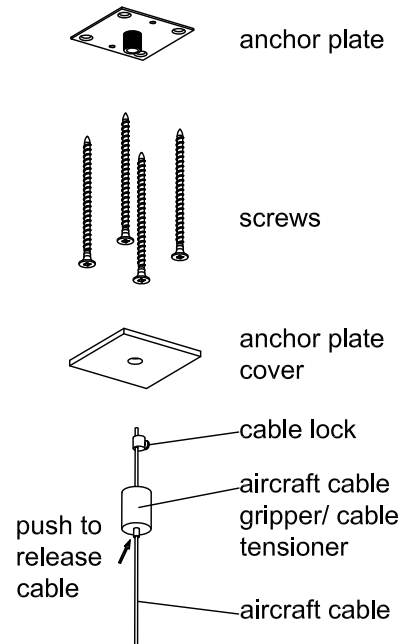
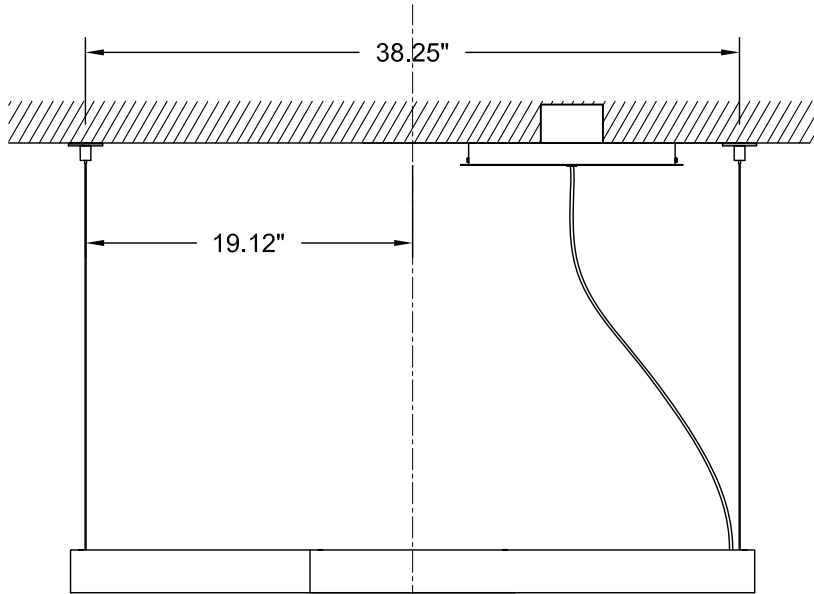


ASSEMBLY AND INSTALLATION INSTRUCTIONS

WARNING: TO AVOID RISK OF ELECTRICAL SHOCK, BE SURE TO SHUT OFF POWER PRIOR TO INSTALLING OR SERVICING THIS FIXTURE.

NOTE: Before installing, consult local electrical codes for wiring and grounding requirements.

PLEASE READ ENTIRELY THROUGH INSTALLATION BEFORE BEGINNING



Installation Steps

1. Anchor plates must be mounted directly to building structure. Failure to properly install anchor plates to building structure may cause injury.
2. Locate mounting locations. Anchor mounts will be 38.25" apart and offset 3.00". See illustration for detail.
3. Determine final location of fixture, making sure the anchor mount locations will be secured to building structure.
4. Hold fixture to ceiling above its final hanging location, and lightly mark ceiling where the ends of the fixture are. Measure and mark the center between those two marks (only if the fixture will not be centered under the J-Box).
5. To determine location of anchor mounts: From the center mark or center of J-Box (if J-Box is centered over fixture), measure 19.125" towards one end of fixture marks, then offset 1.5" from center line and make a mark. Make the same measurement for the other end of the fixture, offsetting the mark 1.5" on the other side of the centerline. Total distance between the new marks should be 38.25", with the marks offset a total of 3" from each other.
6. Mount anchor plates to building structure centered over the offset 19.125" marks.
7. Verify length of aircraft cable needed, and cut cable to the desired length.
8. Guide aircraft cable through cable gripper/cable tensioner.
9. Install cable lock near end of cable, with .25" of excess cable showing. **IMPORTANT:** Make sure cable lock is properly secured on the cable.
10. Depress small center tube on cable gripper/cable tensioner, and pull aircraft cable back until the cable lock reaches the cable gripper/cable tensioner body.
11. Repeat Steps 7-10 for the second cable.

KLONE pendant
oxygen **32-642-xx**

OXYGEN LIGHTING ©

oxygen

OXYGEN LIGHTING
201 RAILHEAD RD, FORT WORTH, TX 76106
TEL. (877) 607-0202 FAX (877) 607-0203
WWW.OXYGENLIGHTING.COM

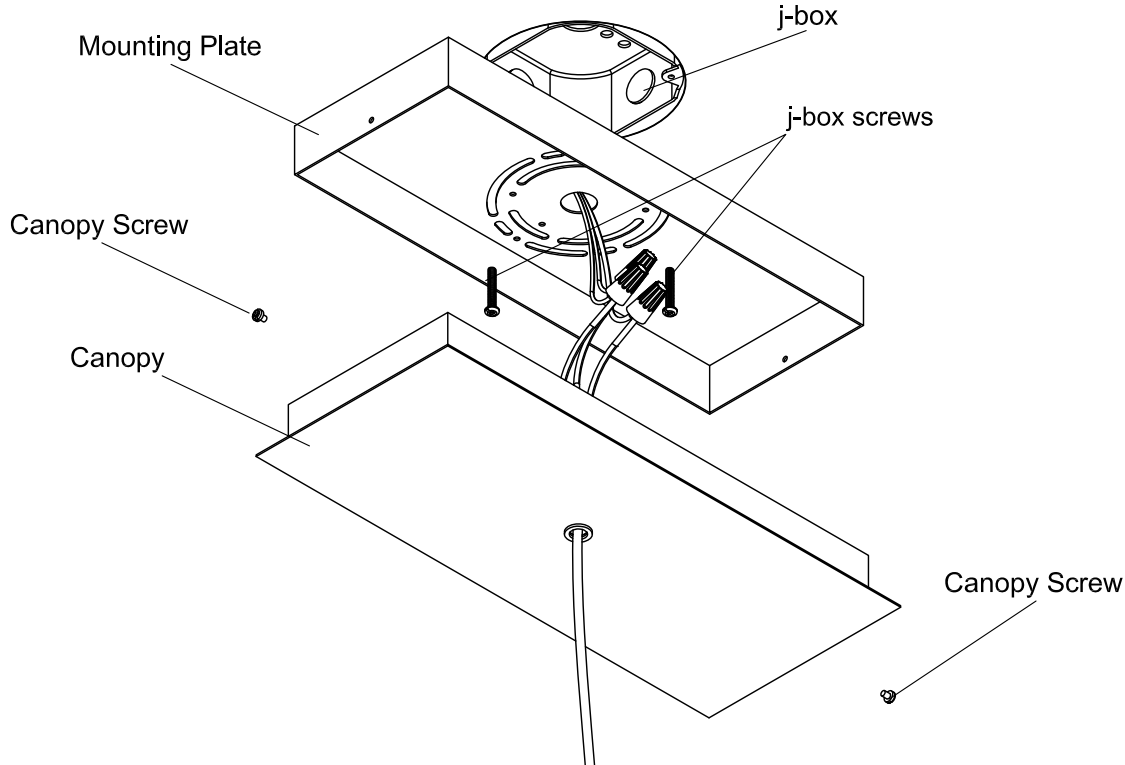
ASSEMBLY INSTRUCTIONS
PAGE 1 of 2

ASSEMBLY AND INSTALLATION INSTRUCTIONS

WARNING: TO AVOID RISK OF ELECTRICAL SHOCK, BE SURE TO SHUT OFF POWER PRIOR TO INSTALLING OR SERVICING THIS FIXTURE.

NOTE: Before installing, consult local electrical codes for wiring and grounding requirements.

PLEASE READ ENTIRELY THROUGH INSTALLATION BEFORE BEGINNING



Installation Steps

12. While supporting the fixture, place the anchor plate cover over the anchor plate and screw the cable gripper/cable tensioner onto the mounted anchor plate. Repeat for the other side.
13. Check to make sure that the fixture is level.
14. Install mounting plate to J-box with J-box screws.
- **FOR DIMMING:** If using a dimmer (not included), follow wiring instructions enclosed with dimmer. Double check wiring. Tuck the wire connections neatly into the canopy. Some suggested dimmers below.

This list of dimmers does not imply any guarantee or warranty of compatibility with a particular application. The lack of dimmers on this list does not imply it is not compatible with our drivers.

Due to the high degree of variability when dimming, all applications should be evaluated prior to installation to ensure it meets expectations.

oxygen

Some Suggested Dimmers

0-10V		ELV(Reverse phase)	
Leviton	a-2000	Leviton	Surslide 6615-POW
Leviton	IP710	Lutron	Skylark SELV-300P
Leviton	Renior II(W/0-10v setting)	Lutron	Divia DVELV-300P
Lutron	Divia DDTV	Lutron	Maestro MAELV-600
Lutron	Nova NFTV	Lutron	Nova NTELV-600
Douglas Lighting	WPN-5821/5822	Lutron	Vierli VTELV-600
Hunt Dimming	PS-LED-010-120V		
Hunt Dimming	PS-LED-010-3W-120V		
Hunt Dimming	PS-LED-010-277V		
Hunt Dimming	PS-LED-010-3W-277V		
Wattstopper, Inc.	ADF-120277		

- **FOR NON-DIMMING:** If not using a dimming switch, with wire nuts, cap off purple and gray wires individually. Double check wiring. Tuck the wire connections neatly into canopy.

15. Determine amount of cable needed. Cut cable, then guide white wire strainer over cable and tighten.
16. Make wire connections. Attach ground wire to building ground wire using a wire nut. Connect blue wire to blue wire, and red wire to red wire. Connect hot wire to hot wire, and neutral wire to neutral wire.
17. Secure canopy to mounting plate and install the provided canopy screws.
18. Double check wiring, and turn power back on at fuse or circuit box.

KLONE pendant
oxygen **32-642-xx**

OXYGEN LIGHTING ©

oxygen

OXYGEN LIGHTING
201 RAILHEAD RD, FORT WORTH, TX 76106
TEL. (877) 607-0202 FAX (877) 607-0203
WWW.OXYGENLIGHTING.COM

ASSEMBLY INSTRUCTIONS
PAGE 2 of 2