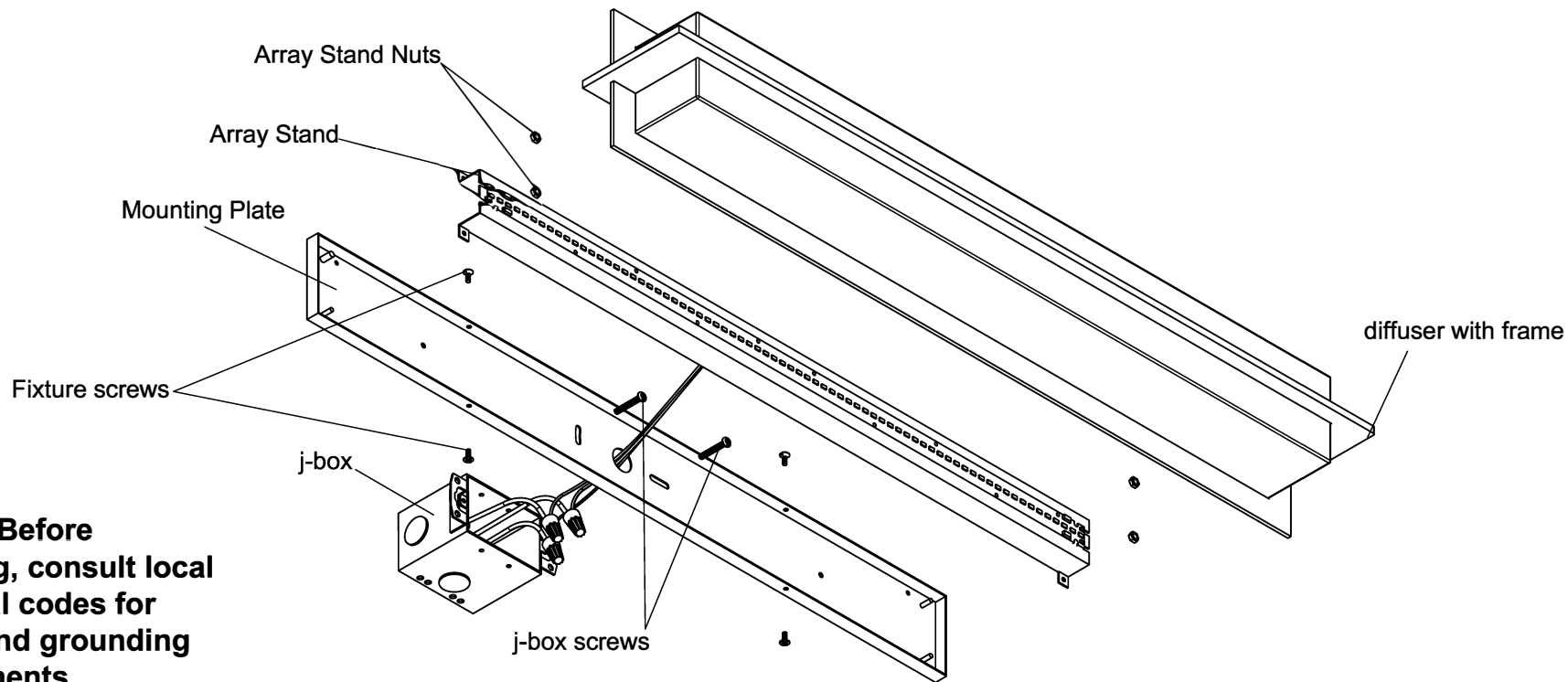


ASSEMBLY AND INSTALLATION INSTRUCTIONS

WARNING: TO AVOID RISK OF ELECTRICAL SHOCK, BE SURE TO SHUT OFF POWER PRIOR TO INSTALLING OR SERVICING THIS FIXTURE.



NOTE: Before installing, consult local electrical codes for wiring and grounding requirements.

Installation Steps

1. Carefully unpack your new fixture and lay out all the parts on clean surface. Take care not to lose any small parts necessary for installation
2. Remove Fixture screws to release mounting plate.
3. Make wire connections: Attach ground wire to building ground wire using a wire nut or attach them to the mounting plate with a green ground screw.
 - **FOR DIMMING:** If using a dimmer (not included), follow wiring instructions enclosed with dimmer. Double check wiring. Tuck the wire connections neatly into the junction box.
 - **FOR NON-DIMMING:** If not using a dimming switch, with wire nuts, cap off purple and gray wires individually. Wire positive wire with positive wire, negative wire with negative wire. Double check wiring. Tuck the wire connections neatly into the junction box.
4. Remove array stand nuts to reveal the j-box mounting holes. Secure the mounting plate to the wall with j-box screws. Mounting plate should be secure against wall.
5. Replace array stand and reinstall the array stand nuts.
6. Place the diffuser with frame over the mounting plate and array stand. Reinstall the fixture screws. Diffuser with frame should be secure and snug against wall.
7. Turn power back on at fuse or circuit box.

METRIX vanity
120v **3-542-xx**
277v **37-542-xx**

oxygen

OXYGEN LIGHTING
201 RAILHEAD RD., FORT WORTH, TX 76106
TEL. (877) 607-0202 FAX (877) 607-0203
WWW.OXYGENLIGHTING.COM

ASSEMBLY INSTRUCTIONS