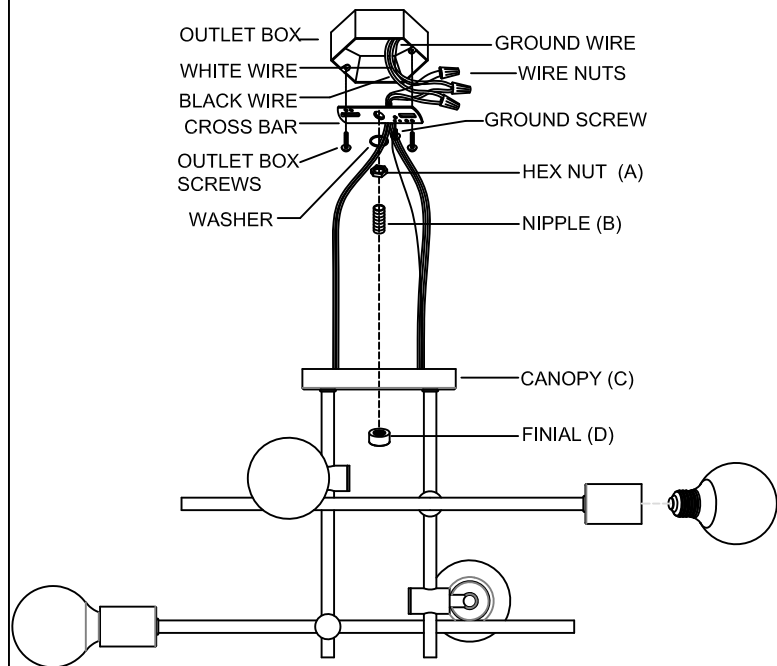


# ASSEMBLY AND INSTALLATION INSTRUCTIONS

**WARNING: TO AVOID RISK OF ELECTRICAL SHOCK, BE SURE TO SHUT OFF POWER PRIOR TO INSTALLING OR SERVICING THIS FIXTURE.**

NOTE: Before installation, consult local electrical codes for wiring and grounding requirements.

1. Assemble the nipple(B) onto the cross bar, and lock it in place by hex nut(A).
2. Attach the cross bar to outlet box using 2 outlet box screws upwards.
3. Make wire connections :
  - - - Attach ground wire to house ground wire using a wire nut(or attach them to the cross bar with a green ground screw).
  - - - Attach 2 white wires from left and right sides of the light to white wire from power source with a wire nut.
  - - - Attach 2 black wires from left and right sides of the light to black wire from power source with a wire nut.
4. Tuck the wire connections neatly into the outlet box.
5. Attach the canopy(C) to the ceiling, and let the nipple(B) protrude through the pre-drilled hole on the canopy(C) and secure with finial(D).
6. Install bulb.(not included) (Please do not exceed the maximum capacity which is recommended on the fixture.)
7. Turn power on at fuse or circuit box.



**oxygen**

**Mika Semi-Flush Mount**

120v: 3-696-15, 3-696-56

**ASSEMBLY  
INSTRUCTIONS**