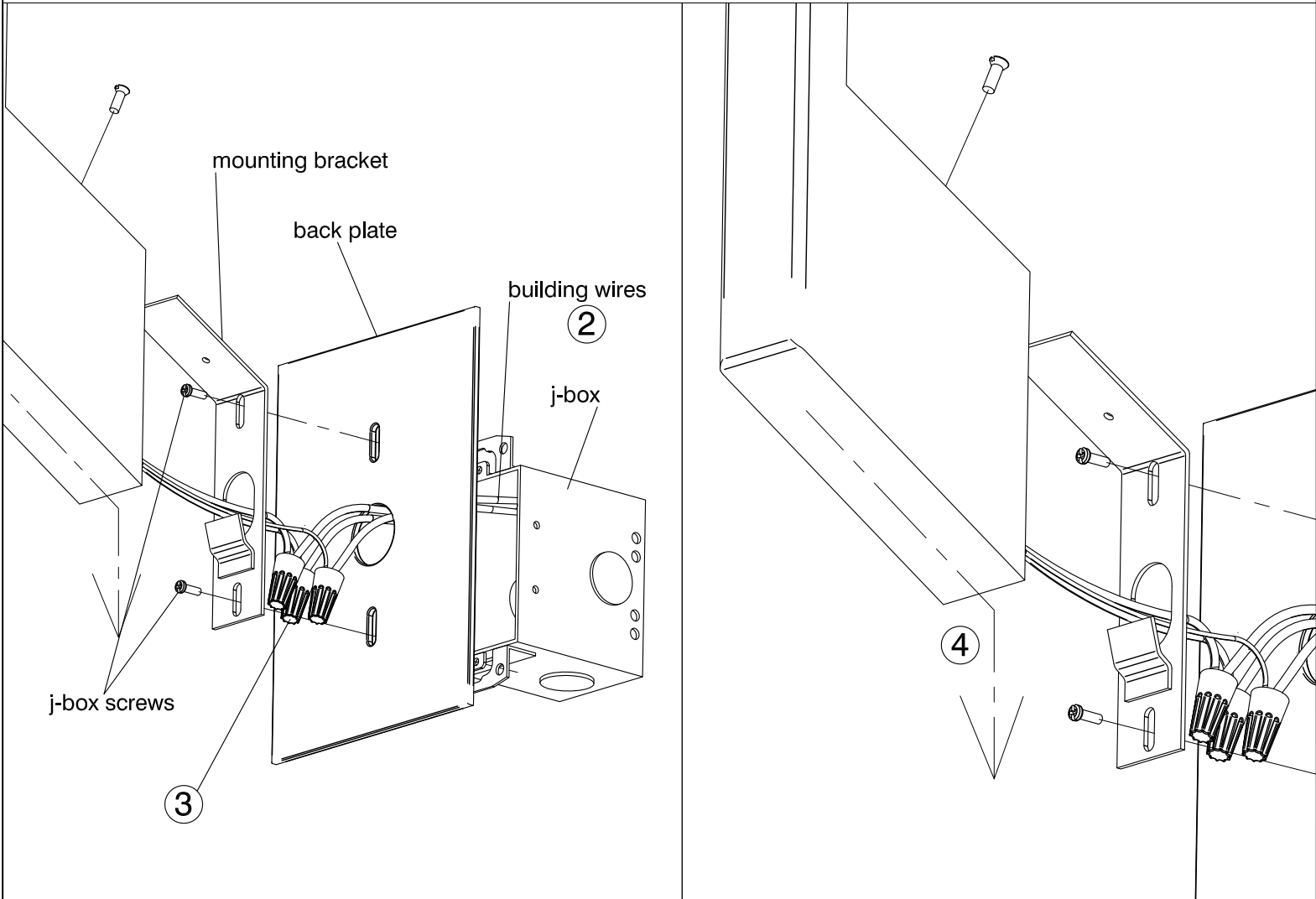


ASSEMBLY AND INSTALLATION INSTRUCTIONS

WARNING: TO AVOID RISK OF ELECTRICAL SHOCK, BE SURE TO SHUT OFF POWER PRIOR TO INSTALLING OR SERVICING THIS FIXTURE.

NOTE: Before installing, consult local electrical codes for wiring and grounding requirements.



Installation Steps

1. Carefully unpack your new fixture and lay out all the parts on clean surface. Take care not to lose any small parts necessary for installation,
2. Gently pull building wires through back plate and mounting bracket. Install the back plate and bracket to the J-box with j-box screws.
3. Make wire connections: Attach ground wire to building ground wire using a wire nut or attach them to the mounting plate with a green ground screw.
 - **FOR DIMMING:** If using a dimmer (not included), follow wiring instructions enclosed with dimmer. Double check wiring. Tuck the wire connections neatly into the junction box.
 - **FOR NON-DIMMING:** If not using a dimming switch, with wire nuts, cap off purple and gray wires individually. Wire positive wire with positive wire, negative wire with negative wire. Double check wiring. Tuck the wire connections neatly into the junction box.
4. Install fixture to mounting bracket by sliding the fixture over the angled top of bracket then gently slide down to wall. Install angled screw to secure fixture to wall ideally with short screwdriver. Verify that fixture is secure to wall. If not, check j-box mounting and repeat step 4 until fixture is secured to wall
5. Turn power back on at fuse or circuit box.

Mirage Sconce
120v **3-516-xx**
277v **37-516-xx**

oxygen

OXYGEN LIGHTING
201 RAILHEAD RD, FORT WORTH, TX 76106
TEL. (877) 607-0202 FAX (877) 607-0203
WWW.OXYGENLIGHTING.COM

ASSEMBLY INSTRUCTIONS