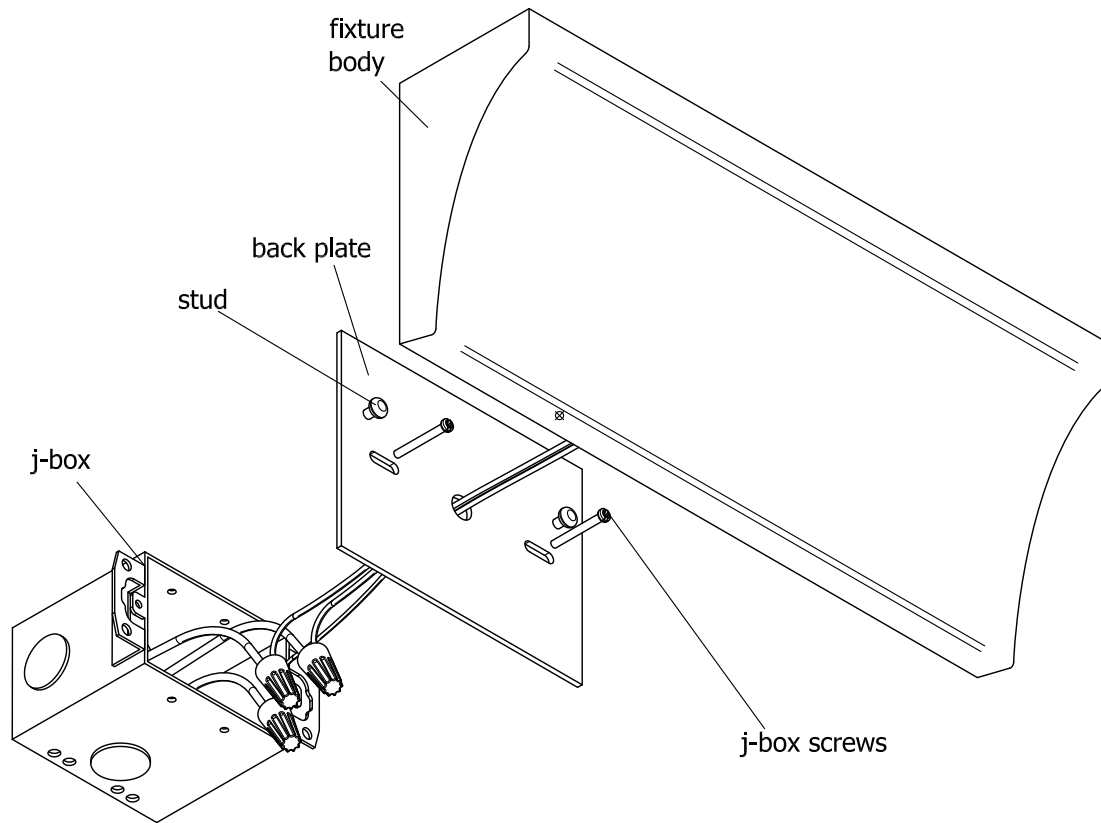


ASSEMBLY AND INSTALLATION INSTRUCTIONS

WARNING: TO AVOID RISK OF ELECTRICAL SHOCK, BE SURE TO SHUT OFF POWER PRIOR TO INSTALLING OR SERVICING THIS FIXTURE.

NOTE: Before installing, consult local electrical codes for wiring and grounding requirements.



Installation Steps

1. Carefully unpack your new fixture and lay out all the parts on a clean surface. Take care not to lose any small parts necessary for installation.
2. If pre-attached to fixture, remove the mounting plate by sliding the plate down and pulling it away from the magnets in the fixture body. Guide fixture wires through mounting plate.
3. Make wire connections: Attach ground wire to building ground wire using a wire nut or attach them to the mounting plate with a green ground screw.
 - FOR DIMMING: If using a dimmer (not included), follow wiring instructions enclosed with dimmer. Double check wiring.
 - FOR NON-DIMMING: If not using a dimming switch, with wire nuts, cap off purple and gray wires individually. Wire positive wire with positive wire, negative wire with negative wire. Double check wiring.
4. Tuck the wire connections neatly into the junction box.
5. Secure back plate to j-box with j-box screws.
6. Place the fixture over the mounting plate by lining up the mounting plate studs with the key slots in the fixture body. With studs engaged in the key slots, push fixture down to secure to wall.
7. Turn power back on at fuse or circuit box.

MIZAR sconce

120v **3-550-xx**

277v **37-550-xx**

OXYGEN LIGHTING ©

oxygen

OXYGEN LIGHTING
201 RAILHEAD RD, FORT WORTH, TX 76106
TEL. (877) 607-0202 FAX (877) 607-0203
WWW.OXYGENLIGHTING.COM

ASSEMBLY INSTRUCTIONS