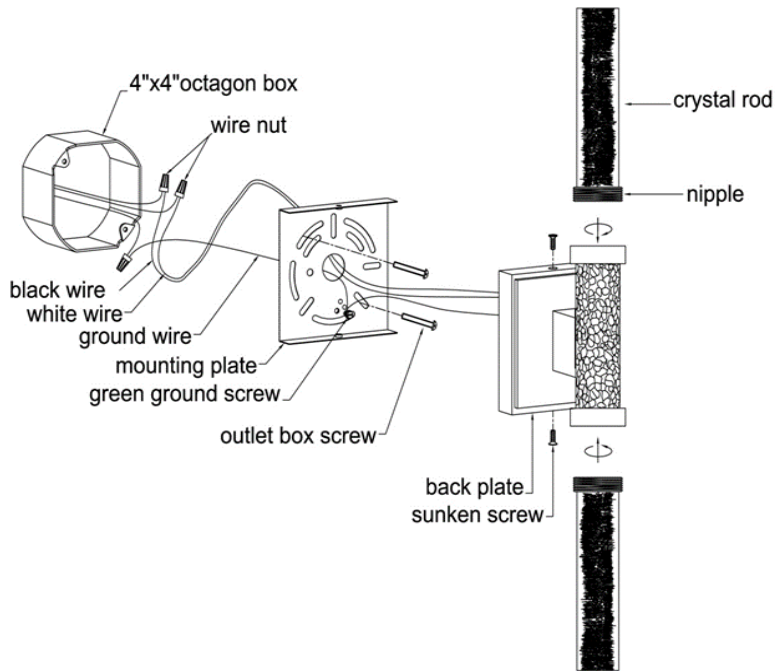


ASSEMBLY AND INSTALLATION INSTRUCTIONS

WARNING: TO AVOID RISK OF ELECTRICAL SHOCK, BE SURE TO SHUT OFF POWER PRIOR TO INSTALLING OR SERVICING THIS FIXTURE.

NOTE: Before installing, consult local electrical codes for wiring and grounding requirements.



OXYGEN LIGHTING ©

Installation Steps

1. Carefully unpack your new fixture and lay out all the parts on a clean surface. Take care not to lose any small parts necessary for installation.
2. Make wire connections with wire nuts:
 - Attach ground wire to house ground wire using a wire nut or attach them to the mounting plate with a green ground screw.
 - Attach white wire from light to white wire from power source with a wire nut.
 - Attach black wire from light to black wire from power source with a wire nut.Observing: positive wire with positive wire, negative wire with negative wire, ground wire with ground wire.
***Make sure all wire connectors are secured and do not easily pull off with the slight tug.
3. Tuck the wire connections neatly into the outlet box(4" x 4" octagon box).
4. Attach the mounting plate to outlet box(4" x 4" octagon box) by using two outlet box screws.
5. Secure fixture back plate to mounting plate with two sunken screws.
6. Install crystal rods to the socket.
7. Turn on the power at fuse or circuit box.
8. When inspecting the branch circuit connections after installation, remove the two sunken fixture screws in order to maintain service.

oxygen

MONET Scence
3-580-xx

ASSEMBLY INSTRUCTIONS