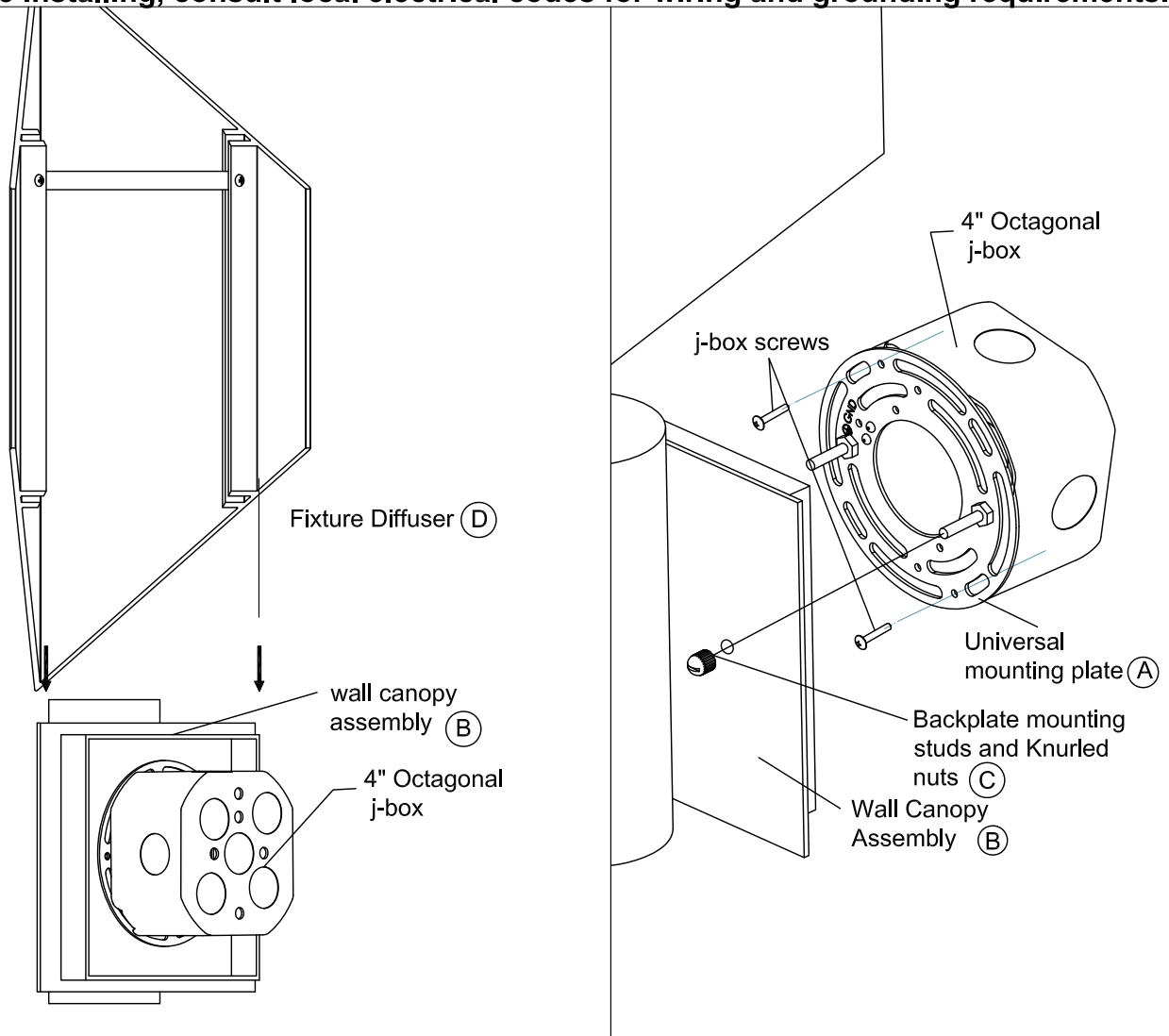


ASSEMBLY AND INSTALLATION INSTRUCTIONS

WARNING: TO AVOID RISK OF ELECTRICAL SHOCK, BE SURE TO SHUT OFF POWER PRIOR TO INSTALLING OR SERVICING THIS FIXTURE.

NOTE: Before installing, consult local electrical codes for wiring and grounding requirements.



Installation Steps

1. Carefully unpack your new fixture and lay out all the parts on a clean surface. Take care not to lose any small parts necessary for installation.
2. If affixed, remove the two fixture housing screws to release the wall canopy assembly. Remove universal back plate from fixture.
3. Secure the Universal mounting plate (A) to the wall, over the j-box, using provided j box mounting screws
4. Make wire connections. Attach ground wire to building ground wire using a wire nut.
 - **FOR DIMMING:** If using a dimmer (not included), follow wiring instructions enclosed with dimmer. Double check wiring. Tuck the wire connections neatly into the junction box. Some suggested dimmers below.
 - **FOR NON-DIMMING:** If not using a dimming switch, with wire nuts, cap off purple and gray wires individually. Wire neutral wire with neutral wire, hot wire with hot wire. Double check wiring. Tuck the wire connections neatly into the junction box.
5. Secure the wall canopy assembly (B) to the Universal mounting plate (A) using provided mounting Studs and Knurled nuts (C)
6. Install the Fixture metal diffuser (D) by sliding it from top to bottom making sure that the two back metal brackets slide behind the left and right edges of the fixture Canopy Assembly (B)
7. Turn power back on at fuse or circuit box.

**MOTTO Sconce
3-729-xx**

OXYGEN LIGHTING ©

oxygen

OXYGEN LIGHTING
201 RAILHEAD RD., FORT WORTH, TX 76106
TEL. (877) 607-0202 FAX (877) 607-0203
WWW.OXYGENLIGHTING.COM

ASSEMBLY INSTRUCTIONS