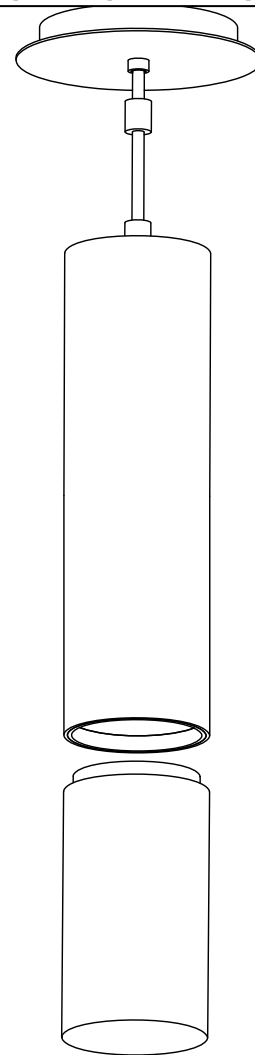
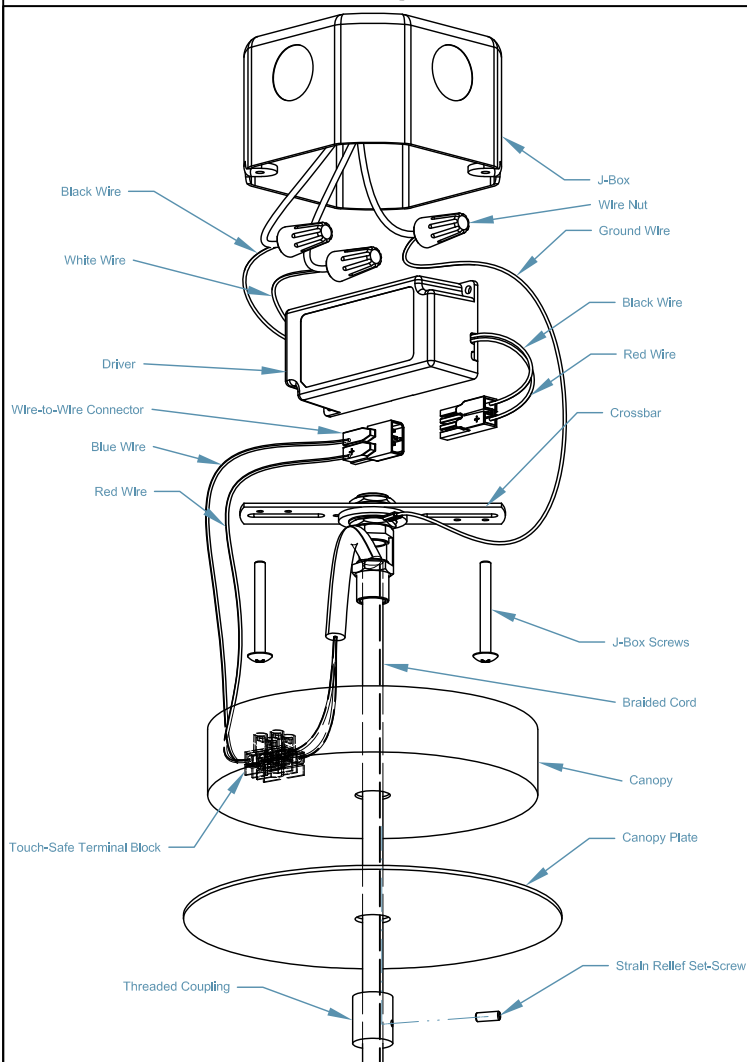


# ASSEMBLY AND INSTALLATION INSTRUCTIONS

**WARNING: TO AVOID RISK OF ELECTRICAL SHOCK, BE SURE TO SHUT OFF POWER PRIOR TO INSTALLING OR SERVICING THIS FIXTURE.**

**NOTE: Before installing, consult local electrical codes for wiring and grounding requirements.**



## Installation Steps

1. Carefully unpack your new fixture and lay out all the parts on clean surface. Take care not to lose any small parts necessary for installation.
2. Set up desired length of cord and secure strain relief. If cord must be cut, reconnect red wire to the opposing red terminal, and blue wire to the opposing blue terminal.
3. Make wire connections and place driver inside j-box. Attach ground wire to building ground wire using a wire nut.
  - **FOR DIMMING:** If using a dimmer (not included), follow wiring instructions enclosed with dimmer. Double check wiring. Tuck the wire connections neatly into the junction box. Some suggested dimmers below.
  - **FOR NON-DIMMING:** If not using a dimming switch, with wire nuts, cap off purple and gray wires individually. Wire white wire (neutral) with white wire (neutral), black wire (hot) with black wire (hot). Double check wiring.
5. Tuck the wire connections neatly into the junction box along with the driver.
6. Secure the crossbar to the junction box by threading the two junction box screws through the key holes.
7. Slide the canopy and canopy plate over the threaded pipe, and connect the orange connectors. Use the threaded coupling to secure the canopy.
8. Attach the diffuser to the fixture body. Be careful not to cross-thread the pieces.
9. Turn power back on at fuse or circuit box.

**OPUS** pendant  
**3-654-xxx**

OXYGEN LIGHTING ©

**oxygen**

**OXYGEN LIGHTING**  
201 RAILHEAD RD., FORT WORTH, TX 76106  
TEL. (877) 607-0202 FAX (877) 607-0203  
WWW.OXYGENLIGHTING.COM

**ASSEMBLY INSTRUCTIONS**