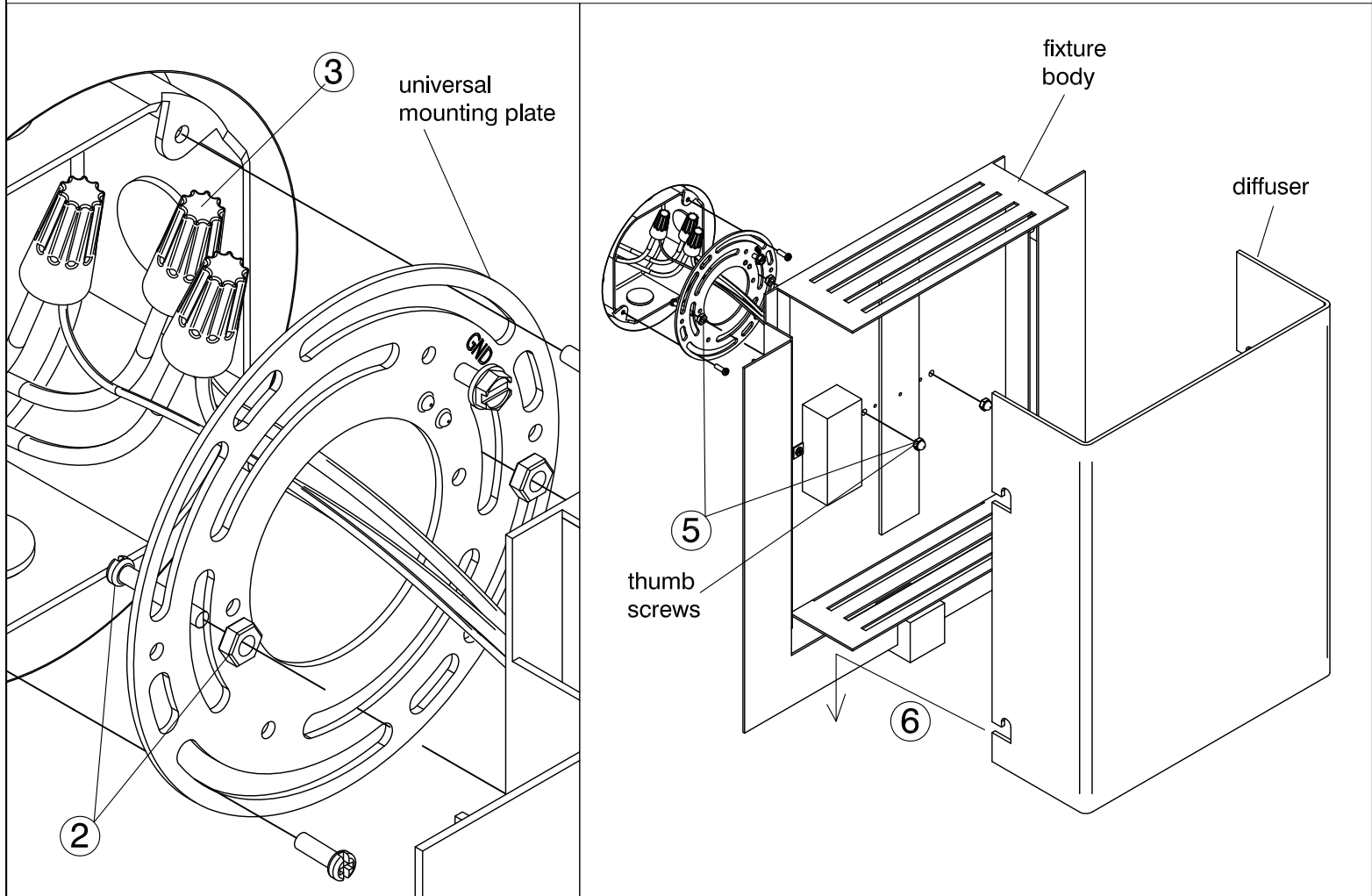


ASSEMBLY AND INSTALLATION INSTRUCTIONS

WARNING: TO AVOID RISK OF ELECTRICAL SHOCK, BE SURE TO SHUT OFF POWER PRIOR TO INSTALLING OR SERVICING THIS FIXTURE.

NOTE: Before installing, consult local electrical codes for wiring and grounding requirements.



Installation Steps

1. Carefully unpack your new fixture and lay out all the parts on a clean surface. Take care not to lose any small parts necessary for installation.
2. Install the two longer screws to the universal mounting plate with provided nuts. Install the universal mounting plate to J-box with j-box screws to secure the mounting plate as shown.
3. Make wire connections: Attach ground wire to building ground wire using a wire nut or attach them to the mounting plate with a green ground screw.
 - **FOR DIMMING:** If using a dimmer (not included), follow wiring instructions enclosed with dimmer. Double check wiring.
 - **FOR NON-DIMMING:** If not using a dimming switch, with wire nuts, cap off purple and gray wires individually. Wire positive wire with positive wire, negative wire with negative wire. Double check wiring.
4. Tuck the wire connections neatly into the junction box.
5. Install fixture to the universal mounting plate by fitting the fixture over the two longer screws (in step 2) Secure the fixture by installing the two provided thumb screws. Fixture should be secure against wall.
6. Install diffuser. Slide the diffuser in then down to catch the four support bars as shown.
7. Turn power back on at fuse or circuit box.

PATHWAYS sconce
120v **3-523-xx**
277v **37-523-xx**

OXYGEN LIGHTING ©

oxygen

OXYGEN LIGHTING
201 RAILHEAD RD, FORT WORTH, TX 76106
TEL. (877) 607-0202 FAX (877) 607-0203
WWW.OXYGENLIGHTING.COM

ASSEMBLY INSTRUCTIONS