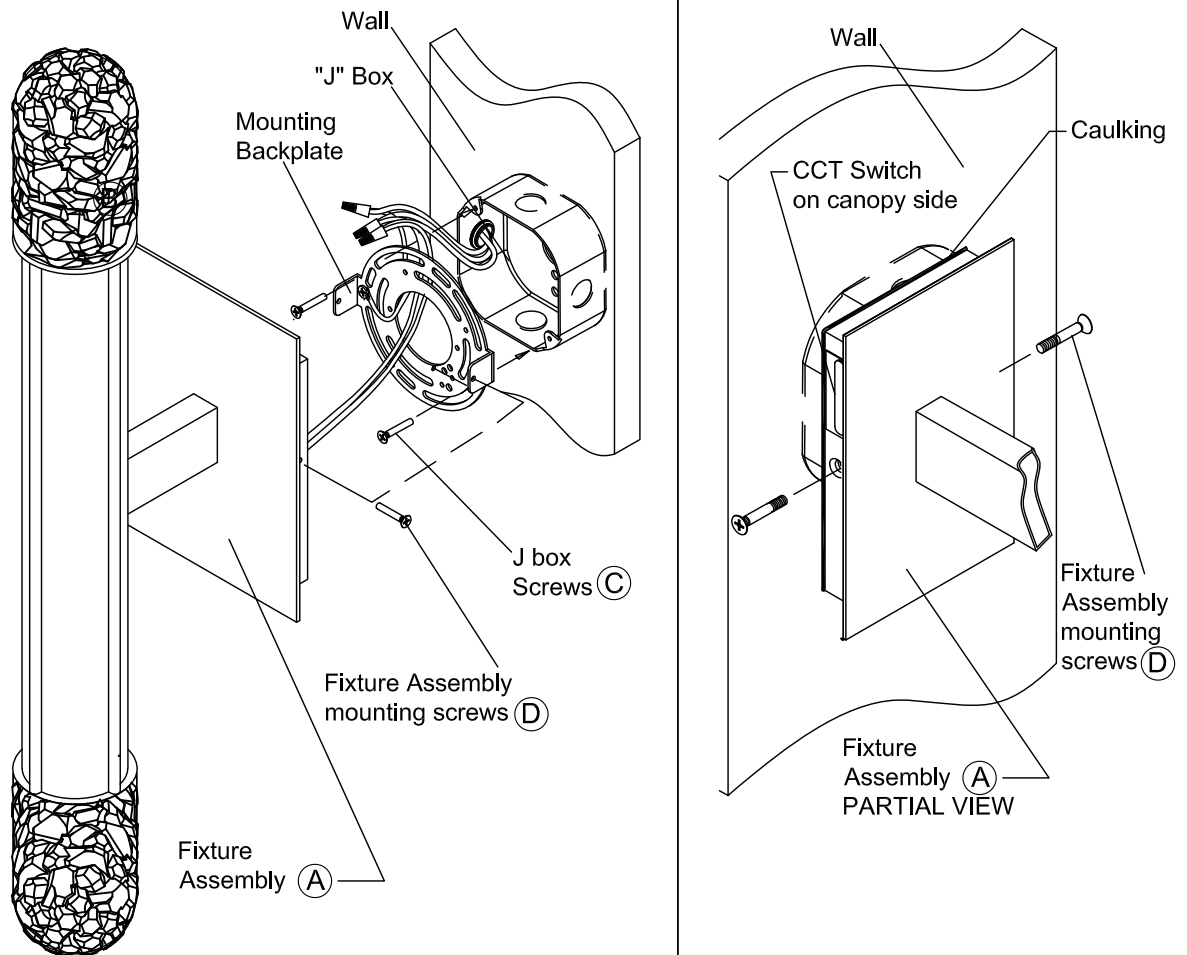


# ASSEMBLY AND INSTALLATION INSTRUCTIONS

**WARNING: TO AVOID RISK OF ELECTRICAL SHOCK, BE SURE TO SHUT OFF POWER PRIOR TO INSTALLING OR SERVICING THIS FIXTURE.**

**NOTE: Before installing, consult local electrical codes for wiring and grounding requirements.**



## Installation Steps

1. Carefully unpack your new fixture and lay out all the parts on a clean surface. Take care not to lose any small parts necessary for installation
2. Attach universal mounting plate to j-box using j-box screws (C). Back plate should be firmly secure against the wall.
4. Make wire connections. Attach ground wire to building ground wire using a wire nut.  
attach white wire from fixture to white wire from power source with a wire nut.--attach black wire from fixture to black wire from power source with a wire nut.
  - **FOR DIMMING:** If using a dimmer (not included), follow wiring instructions enclosed with dimmer. Double check wiring. Tuck the wire connections neatly into the junction box. Some suggested dimmers below
  - **FOR NON-DIMMING:** If not using a dimming switch, with wire nuts, cap off purple and gray wires individually. Wire neutral wire with neutral wire, hot wire with hot wire. Double check wiring. Tuck the wire connections neatly into the junction box.
5. Slide the Fixture Assembly (A) over the the Universal Mounting Plate (B), secure in place using fixture assembly mounting screws (D). **Caulk around the top, bottom and sides of the Lightbody flanges with suitable RTV or silicone compound to avoid water ingress.**
6. Turn power back on at fuse or circuit box.
7. Select desired LED Kelvin temperature from CCT Switch

**Pharo Outdoor**  
120v **3-766-15**

OXYGEN LIGHTING ©

**oxygen**

OXYGEN LIGHTING  
201 RAILHEAD RD., FORT WORTH, TX 76106  
TEL. (877) 607-0202 FAX (877) 607-0203  
WWW.OXYGENLIGHTING.COM

**ASSEMBLY INSTRUCTIONS**