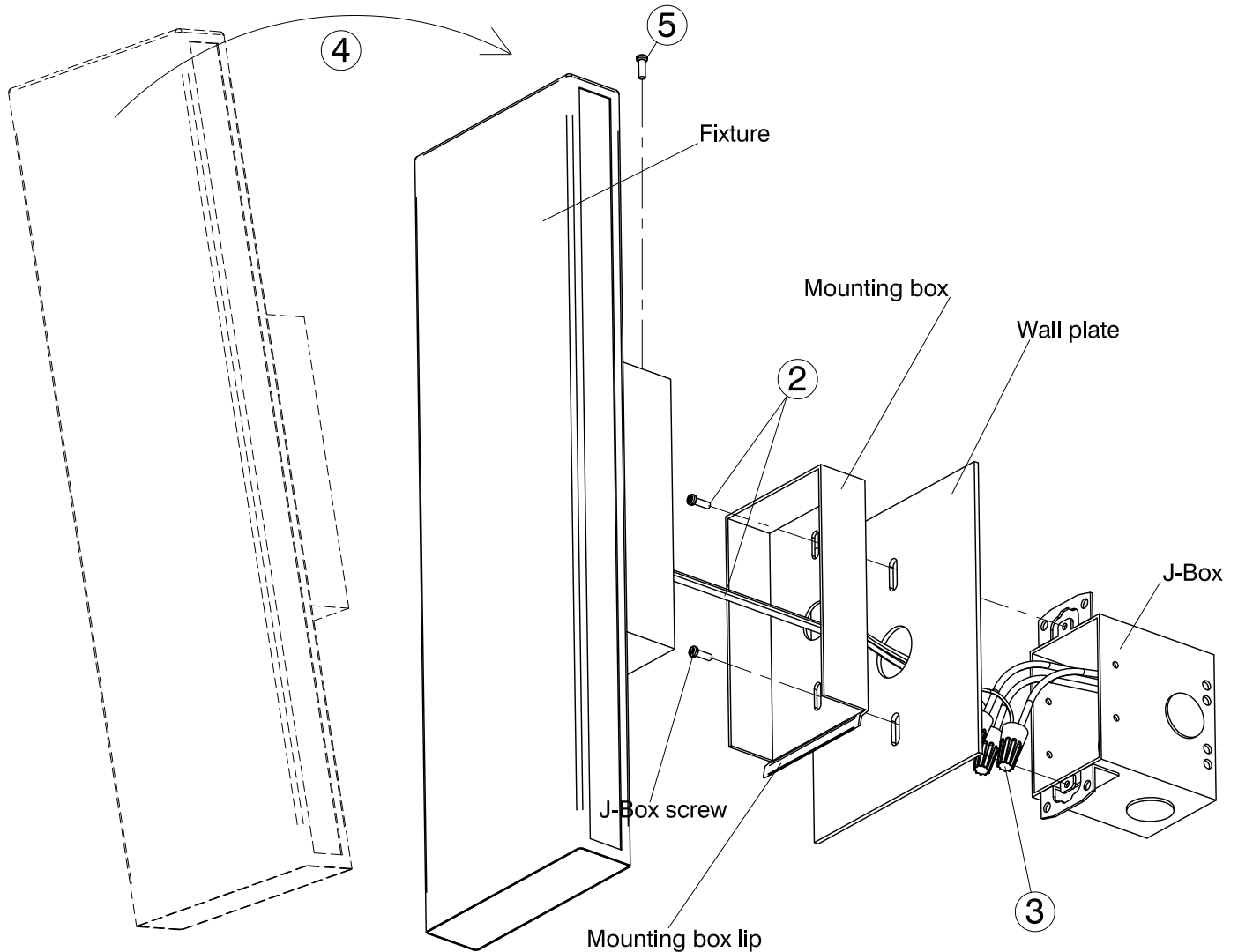


ASSEMBLY AND INSTALLATION INSTRUCTIONS

WARNING: TO AVOID RISK OF ELECTRICAL SHOCK, BE SURE TO SHUT OFF POWER PRIOR TO INSTALLING OR SERVICING THIS FIXTURE.

NOTE: Before installing, consult local electrical codes for wiring and grounding requirements.



Installation Steps

1. Carefully unpack your new fixture and lay out all the parts on clean surface. Take care not to lose any small parts necessary for installation.
2. Gently pull building wires through mounting box with lip and wall plate. Install the mounting box and wall plate to the J-box with j-box mounting screws.
3. Make wire connections: Attach ground wire to building ground wire using a wire nut or attach them to the mounting plate with a green ground screw.
 - **FOR DIMMING:** If using a dimmer, follow wiring instructions enclosed with dimmer. Double check wiring.
 - **FOR NON-DIMMING:** If not using a dimming switch, with wire nuts, cap off purple and gray wires individually. Wire positive wire with positive wire, negative wire with negative wire. Double check wiring.
4. Install fixture to mounting box with lip by tilting top of fixture away from wall and catching the lower lip on the mounting box and sliding the fixture upwards from underneath. Straighten fixture so it is no longer tilted.
5. Insert screw to secure fixture to mounting box.
6. Verify that fixture is secure to wall. Restore power.

Profile Sconce
120v **3-517-xx**
277v **37-517-xx**

OXYGEN LIGHTING ©

oxygen

OXYGEN LIGHTING
201 RAILHEAD RD, FORT WORTH, TX 76106
TEL. (877) 607-0202 FAX (877) 607-0203
WWW.OXYGENLIGHTING.COM

ASSEMBLY INSTRUCTIONS