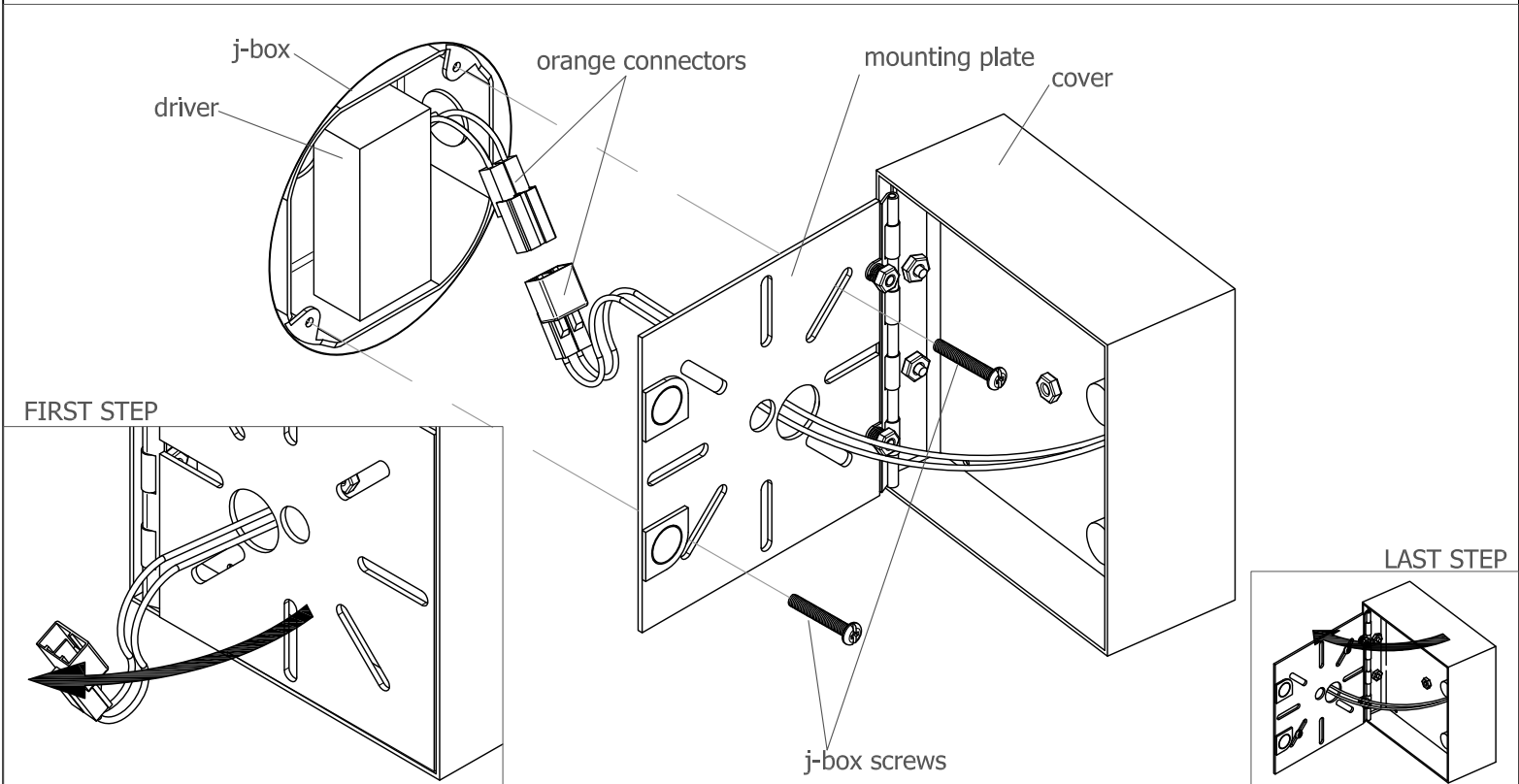


ASSEMBLY AND INSTALLATION INSTRUCTIONS

WARNING: TO AVOID RISK OF ELECTRICAL SHOCK, BE SURE TO SHUT OFF POWER PRIOR TO INSTALLING OR SERVICING THIS FIXTURE.

NOTE: Before installing, consult local electrical codes for wiring and grounding requirements.



Installation Steps

- Carefully unpack your new fixture and lay out all the parts on a clean surface. Take care not to lose any parts necessary for installation.
- Firmly pull open fixture for installation. See "FIRST STEP" illustration. Connect orange connectors together from driver to fixture.
- Make wire connections: Attach ground wire to building ground wire using a wire nut.
 - FOR DIMMING:** If using a dimmer (not included), follow wiring instructions enclosed with dimmer. Double check wiring. Tuck the wire connections neatly into the junction box.

This list of dimmers does not imply any guarantee or warranty of compatibility with a particular application. The lack of dimmers on this list does not imply it is not compatible with our drivers.

Due to the high degree of variability when dimming, all applications should be evaluated prior to installation to ensure it meets expectations.

oxygen

Some Suggested Dimmers

0-10V		ELV(Reverse phase)
Leviton	a-2000	Leviton Surslide 6615-POW
Leviton	IP710	Lutron Skylark SELV-300P
Leviton	Renior II(W/O-10v setting)	Lutron Diva DVELV-300P
Lutron	Divi DDTV	Lutron Maestro MAELV-600
Lutron	Nova NDTV	Lutron Nova NTELV-600
Douglas Lighting	WPN-5821/5822	Lutron Vieri VTELV-600
Hunt Dimming	PS-LED-010-120V	
Hunt Dimming	PS-LED-010-3W-120V	
Hunt Dimming	PS-LED-010-277V	
Hunt Dimming	PS-LED-010-3W-277V	
Wattstopper, Inc.	ADF-120277	

- FOR NON-DIMMING:** If not using a dimming switch, with wire nuts, cap off purple and gray wires individually. Wire positive wire with positive wire, negative wire with negative wire. Double check wiring.
- Tuck the connections and driver neatly into the junction box before installing mounting plate. Line up the mounting plate holes to the j-box and install j-box screws. Fixture should be secure and not move.
 - Replace diffuser cover. See "LAST STEP" illustration.
 - Turn power back on at fuse or circuit box.

PYXIS surface
 120v **3-610-xx**
 277v **37-610-xx**

OXYGEN LIGHTING ©

oxygen

OXYGEN LIGHTING
 201 RAILHEAD RD, FORT WORTH, TX 76106
 TEL. (877) 607-0202 FAX (877) 607-0203
 WWW.OXYGENLIGHTING.COM

ASSEMBLY INSTRUCTIONS