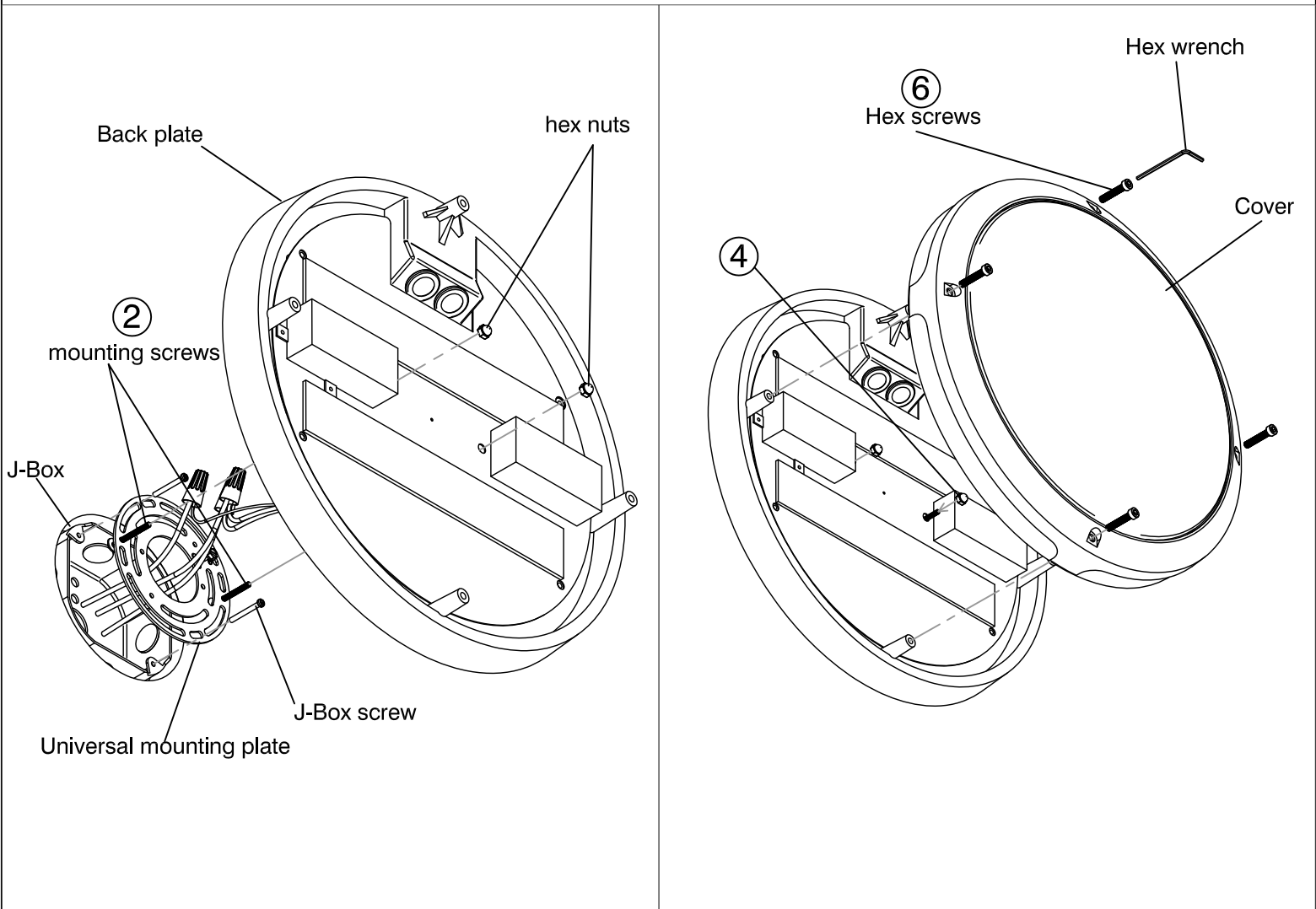


# ASSEMBLY AND INSTALLATION INSTRUCTIONS

**WARNING: TO AVOID RISK OF ELECTRICAL SHOCK, BE SURE TO SHUT OFF POWER PRIOR TO INSTALLING OR SERVICING THIS FIXTURE.**

**NOTE: Before installing, consult local electrical codes for wiring and grounding requirements.**



## Installation Steps

1. Carefully unpack your new fixture and lay out all the parts on a clean surface. Take care not to lose any small parts necessary for installation. Unscrew the four back plate screws to release the fixture body with provided hex wrench. See second illustration.
2. Install mounting screws to the threaded holes on the outer ring of the universal mounting plate as illustrated. Install universal mounting plate to j-box with j-box screws.
3. Make wire connections: Attach ground wire to building ground wire using a wire nut or attach them to the mounting plate with a green ground screw.
  - **FOR DIMMING:** If using a dimmer, follow wiring instructions enclosed with dimmer. Double check wiring.
  - **FOR NON-DIMMING:** If not using a dimming switch, with wire nuts, cap off purple and gray wires individually. Wire positive wire with positive wire, negative wire with negative wire. Double check wiring.
4. Install the back plate to j-box securely with hex nuts. Arrow on back of fixture back plate should be pointed down when installing as illustrated.
5. Caulk around the top, bottom and sides of the back plate to avoid water ingress with suitable RTV or silicone compound.
6. Place cover over back plate and re-install the four hex screws from step 1 with provided hex wrench.
7. Restore power.

**REGIO** Sconce  
120v **3-719-xx**  
277v **37-719-xx**

OXYGEN LIGHTING ©

**oxygen**

OXYGEN LIGHTING  
201 RAILHEAD RD, FORT WORTH, TX 76106  
TEL. (877) 607-0202 FAX (877) 607-0203  
WWW.OXYGENLIGHTING.COM

**ASSEMBLY INSTRUCTIONS**