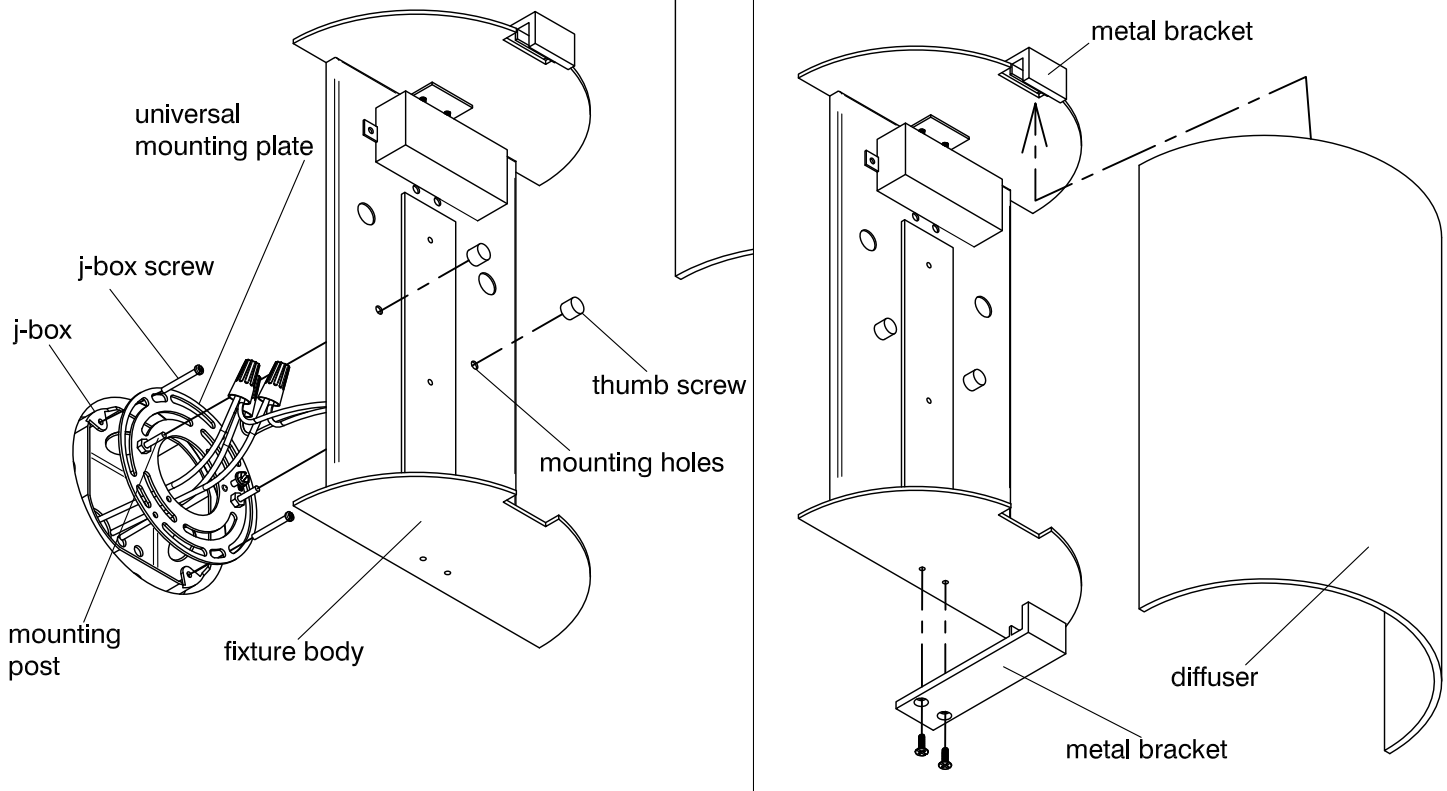


ASSEMBLY AND INSTALLATION INSTRUCTIONS

WARNING: TO AVOID RISK OF ELECTRICAL SHOCK, BE SURE TO SHUT OFF POWER WHILE INSTALLING OR SERVICING THIS FIXTURE.

NOTE: Before installing, consult local electrical codes for wiring and grounding requirement.



Installation Steps

1. Carefully unpack your new fixture and lay out all the part on a clean surface. Take care not to lose any small parts necessary for installation.
2. Secure the universal mounting plate to J-box with j-box screws.
3. Make wire connections: Attach ground wire to building ground wire using a wire nut or attach them to the mounting plate with a green ground screw.
 - **FOR DIMMING:** If using a dimmer (not included), follow wiring instructions enclosed with dimmer. Double check wiring. Tuck the wire connections neatly into the junction box.
 - **FOR NON-DIMMING:** If not using a dimming switch, with wire nuts, cap off purple and gray wires individually. Wire positive wire with positive wire, negative wire with negative wire. Double check wiring. Tuck the wire connections neatly into the junction box.
4. Guide the mounting holes on the fixture body over the mounting posts and secure fixture body with thumb screws.
5. Remove lower metal bracket. Place the diffuser inside the upper metal bracket and replace lower metal bracket so shade is secure like shown.
6. Turn the power on at fuse or circuit box.

SIREN sconce
120v **3-563-xx**
277v **37-563-xx**

OXYGEN LIGHTING ©

oxygen

OXYGEN LIGHTING
201 RAILHEAD RD, FORT WORTH, TX 76106
TEL. (877) 607-0202 FAX (877) 607-0203
WWW.OXYGENLIGHTING.COM

ASSEMBLY INSTRUCTIONS