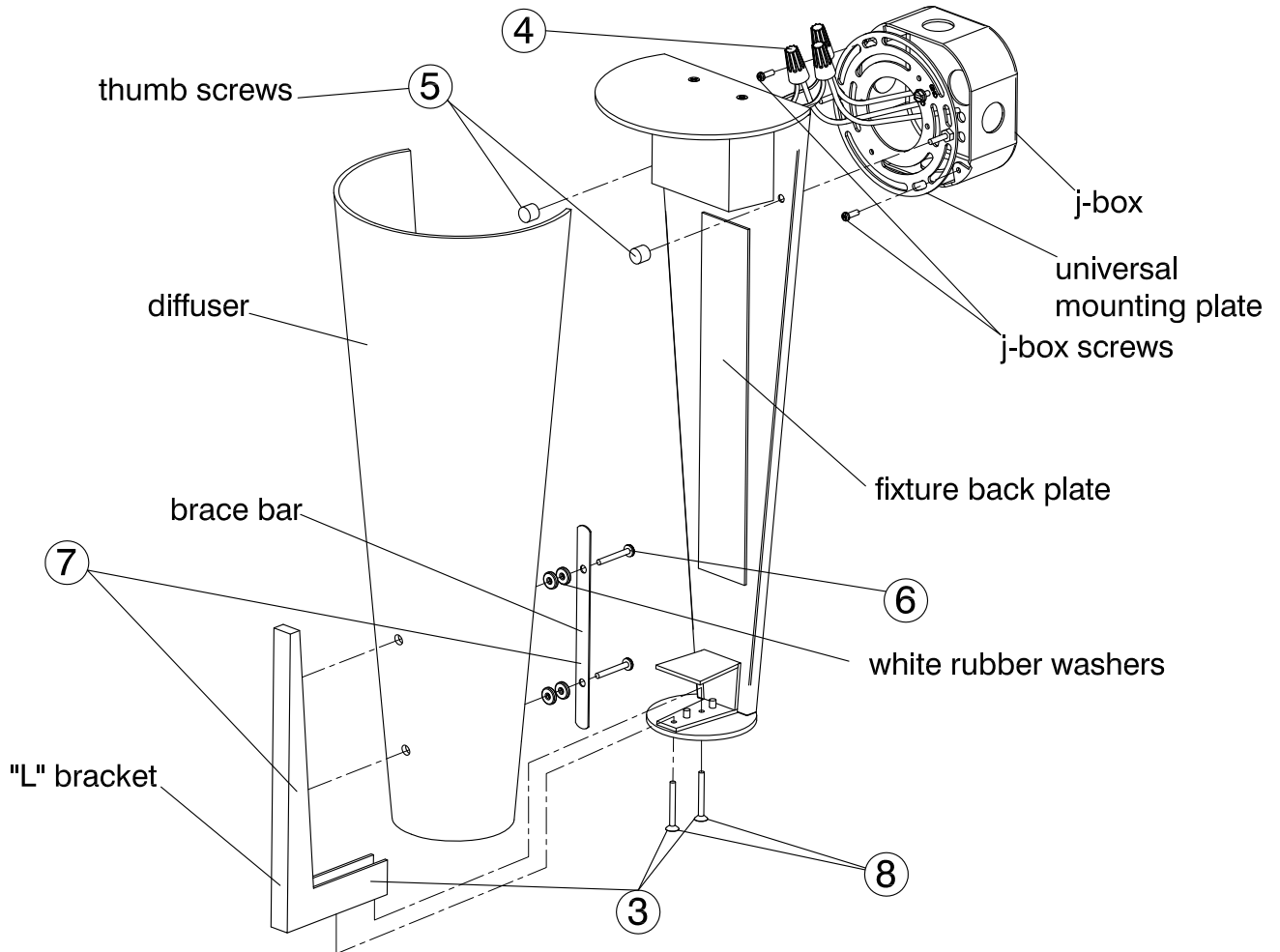


ASSEMBLY AND INSTALLATION INSTRUCTIONS

WARNING: TO AVOID RISK OF ELECTRICAL SHOCK, BE SURE TO SHUT OFF POWER PRIOR TO INSTALLING OR SERVICING THIS FIXTURE.

NOTE: Before installing, consult local electrical codes for wiring and grounding requirements.



Installation Steps

1. Carefully unpack your new fixture and lay out all the parts on clean surface. Take care not to lose any small parts necessary for installation.
2. Install universal mounting plate to J-box with j-box screws.
3. Remove 'L'-bracket from fixture by removing screws underneath the bracket and place to the side.
4. Make wire connections: Attach ground wire to building ground wire using a wire nut or attach them to the mounting plate with a green ground screw.
 - **FOR DIMMING:** If using a dimmer (not included), follow wiring instructions enclosed with dimmer. Double check wiring. Tuck the wire connections neatly into the junction box.
 - **FOR NON-DIMMING:** If not using a dimming switch, with wire nuts, cap off purple and gray wires individually. Wire positive wire with positive wire, negative wire with negative wire. Double check wiring. Tuck the wire connections neatly into the junction box.
5. Using thumbscrews provided located on the posts of the universal mounting plate, secure fixture back plate.
6. On 'L' bracket, remove the two thumb screws with white rubber washers
7. Assemble the brace bar by placing thumb screws through the brace, slide on two washers to each screw to secure the screw to the brace. Assemble 'L' bracket to the glass by installing the brace bar to the inside of the glass and the 'L' bracket to the outside. Hand tighten the screws. Gently tighten with screwdriver.
8. Install glass onto fixture by inserting the two long screws through the bottom of the 'L' bracket. Tighten screws.
9. Check all connections and restore power.

Songbird Sconce

120v **3-589-xx**

120v **37-589-xx**

oxygen

OXYGEN LIGHTING
201 RAILHEAD RD, FORT WORTH, TX 76106
TEL. (877) 607-0202 FAX (877) 607-0203
WWW.OXYGENLIGHTING.COM

ASSEMBLY INSTRUCTIONS