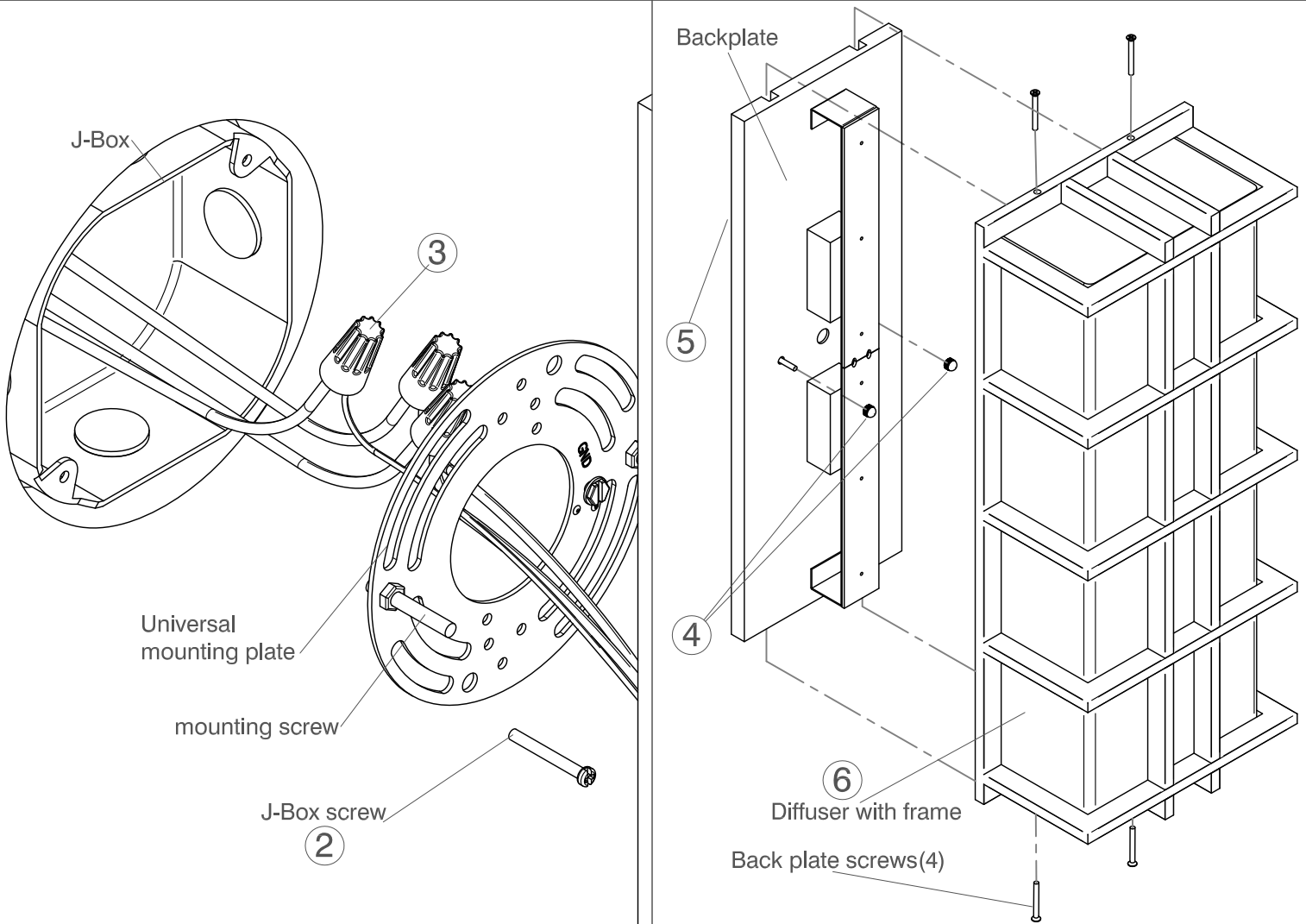


# ASSEMBLY AND INSTALLATION INSTRUCTIONS

**WARNING: TO AVOID RISK OF ELECTRICAL SHOCK, BE SURE TO SHUT OFF POWER PRIOR TO INSTALLING OR SERVICING THIS FIXTURE.**

**NOTE: Before installing, consult local electrical codes for wiring and grounding requirements.**



## Installation Steps

1. Carefully unpack your new fixture and lay out all the parts on a clean surface. Take care not to lose any small parts necessary for installation. Unscrew the four back plate screws to release the fixture body. See second illustration.
2. Install the universal mounting plate to j-box securely with j-box screws. Mounting screws should be horizontally level.
3. Make wire connections: Attach ground wire to building ground wire using a wire nut or attach them to the mounting plate with a green ground screw.
  - **FOR DIMMING:** If using a dimmer, follow wiring instructions enclosed with dimmer. Double check wiring.
  - **FOR NON-DIMMING:** If not using a dimming switch, with wire nuts, cap off purple and gray wires individually. Wire positive wire with positive wire, negative wire with negative wire. Double check wiring.
4. Install back plate to mounting plate by guiding back plate mounting holes over the mounting screws on the universal mounting plate. Tighten thumb screws until the fixture is secure against the wall and cannot be turned easily.
5. Caulk around the top, bottom and sides of the back plate to avoid water ingress with suitable RTV or silicone compound.
6. Place diffuser with frame over sealed back plate and re-install the four back plate screws.
7. Restore power.

**TELSHOR** Sconce

120v **3-710-xxx, 3-711-xxx**

277v **37-710-xxx, 37-711-xxx**

OXYGEN LIGHTING ©

**oxygen**

OXYGEN LIGHTING  
201 RAILHEAD RD, FORT WORTH, TX 76106  
TEL. (877) 607-0202 FAX (877) 607-0203  
WWW.OXYGENLIGHTING.COM

**ASSEMBLY INSTRUCTIONS**