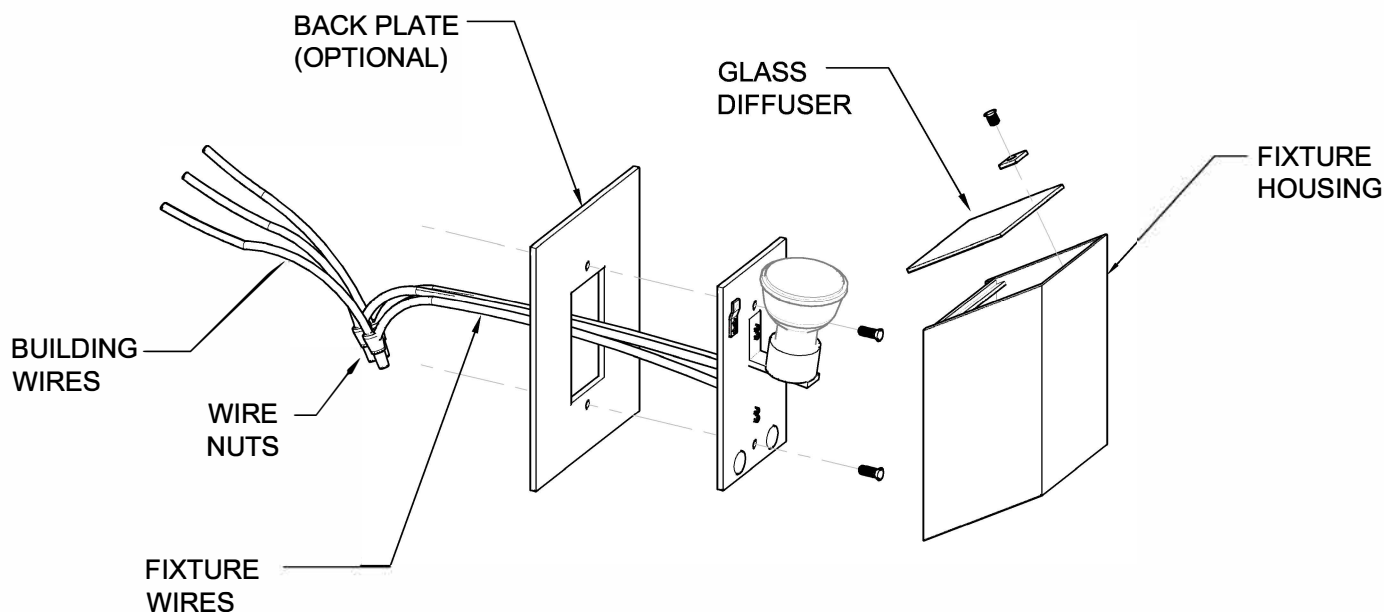


ASSEMBLY AND INSTALLATION INSTRUCTIONS

WARNING: TO AVOID RISK OF ELECTRICAL SHOCK, BE SURE TO SHUT OFF POWER WHILE INSTALLING OR SERVICING THIS FIXTURE.

NOTE: Before installing, consult local electrical codes for wiring and grounding requirement.



Installation Steps

1. Carefully unpack your new fixture and lay out all the parts on a clear area. Take care not to lose any small parts necessary for installation.
2. The universal cross bar contains several pairs of threaded holes. Find the pair of holes that match the hole spacing in your fixture holder, and secure the universal crossbar to the outlet box by threading the two outlet box screws through the key holes.
3. - Make wire connections: Attach ground wire to building ground wire using a wire nut or attach them to the mounting plate with a green ground screw.
 - Using a wire nut attach white (neutral) wire from fixture to building white wire.
 - Using a wire nut attach black (hot) wire from fixture to building black wire.

Double check: Positive wire with positive wire, negative wire with negative wire, ground wire with ground wire.
4. Tuck the wire connections neatly into the junction box.
5. Place the fixture frame over the mounting screws, so the screws pass through the mounting holes.
6. Thread the knobs onto the fixture mounting screws until the fixture frame is tighten against the wall.
7. Place the Acrylic diffuser inside the fixture frame.
8. Turn the power on at fuse or circuit box.

UNO sconce
3-500-xxx

OXYGEN LIGHTING ©

oxygen

OXYGEN LIGHTING
201 RAILHEAD RD, FORT WORTH, TX 76106
TEL. (877) 607-0202 FAX (877) 607-0203
WWW.OXYGENLIGHTING.COM

ASSEMBLY INSTRUCTIONS