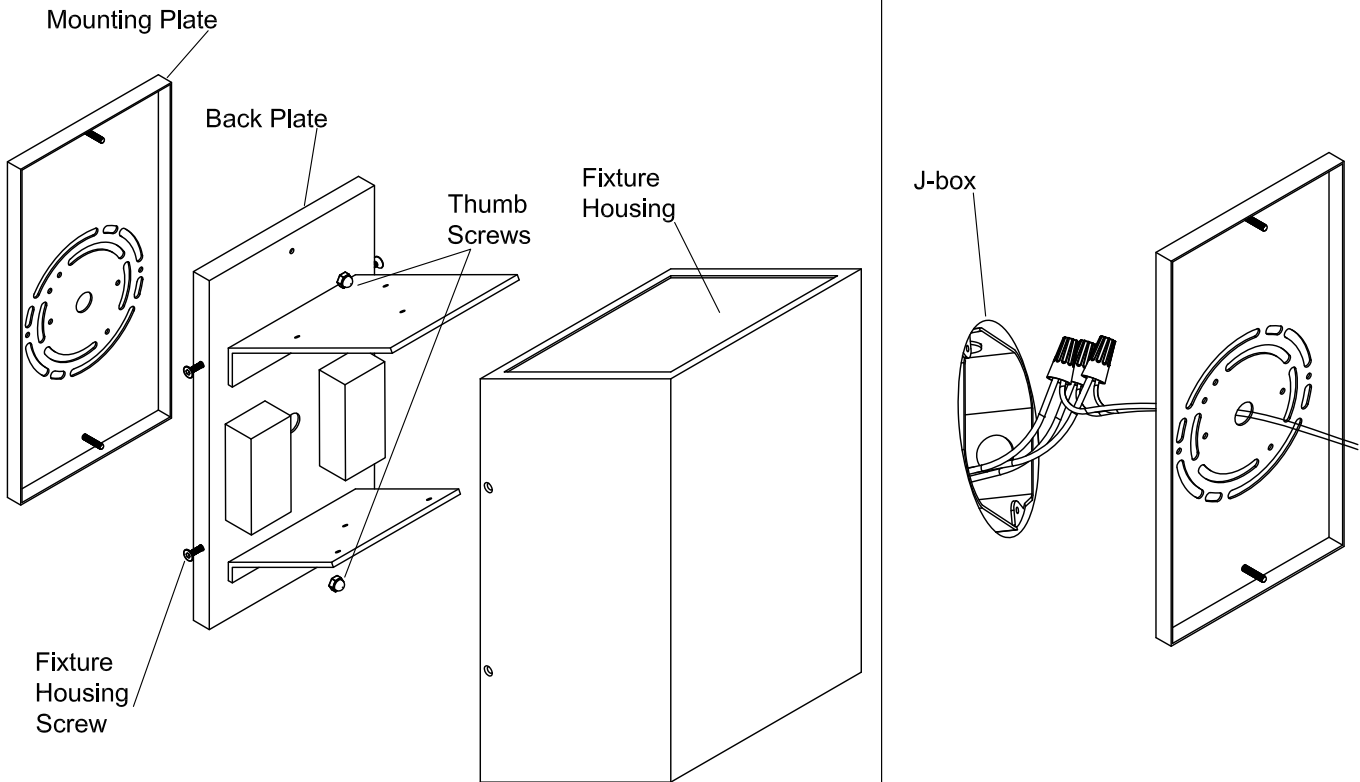


ASSEMBLY AND INSTALLATION INSTRUCTIONS

WARNING: TO AVOID RISK OF ELECTRICAL SHOCK, BE SURE TO SHUT OFF POWER PRIOR TO INSTALLING OR SERVICING THIS FIXTURE.

NOTE: Before installing, consult local electrical codes for wiring and grounding requirements.



Installation Steps

1. Carefully unpack your new fixture and lay out all the parts on a clean surface. Take care not to lose any small parts necessary for installation.
2. Remove the four fixture housing screws to release the back plate. Remove the two thumb screws to separate the mounting plate from the back plate. Thread building wires through mounting plate, then secure mounting plate with j-box screws.
3. Make wire connections. Attach ground wire to building ground wire using a wire nut.
 - **FOR DIMMING:** If using a dimmer (not included), follow wiring instructions enclosed with dimmer. Double check wiring. Tuck the wire connections neatly into the junction box. Some suggested dimmers below.

This list of dimmers does not imply any guarantee or warranty of compatibility with a particular application. The lack of dimmers on this list does not imply it is not compatible with our drivers.

Due to the high degree of variability when dimming, all applications should be evaluated prior to installation to ensure it meets expectations.

oxygen

Some Suggested Dimmers

0-10V		ELV(Reverse phase)	
Leviton	a-2000	Leviton	Surslide 6615-POW
Leviton	IP710	Lutron	Skylark SELV-300P
Leviton	Renior II(W/0-10v setting)	Lutron	Divi DVVELV-300P
Lutron	Divi DFTV	Lutron	Maestro MAELV-600
Lutron	Nova NFTV	Lutron	Nova NTELV-600
Douglas Lighting	WPN-5821/5822	Lutron	Vierti VTELV-600
Hunt Dimming	PS-LED-010-120V		
Hunt Dimming	PS-LED-010-3W-120V		
Hunt Dimming	PS-LED-010-277V		
Hunt Dimming	PS-LED-010-3W-277V		
Wattstopper, Inc.	ADF-120277		

- **FOR NON-DIMMING:** If not using a dimming switch, with wire nuts, cap off purple and gray wires individually. Wire white wire (neutral) with white wire (neutral), black wire (hot) with black wire (hot). Double check wiring. Tuck the wire connections neatly into the junction box.
5. Secure the back plate to the wall over the mounting plate by installing the thumb screws. Back plate should be secure against wall.
 6. Caulk around the top, bottom and sides of the back plate to avoid water ingress with suitable RTV or silicone compound.
 7. Replace fixture housing and reinstall the fixture housing screws.
 8. Turn power back on at fuse or circuit box.

UNO outdoor
 120v **3-701-xx**
 277v **37-701-xx**

OXYGEN LIGHTING ©

oxygen

OXYGEN LIGHTING
 201 RAILHEAD RD., FORT WORTH, TX 76106
 TEL. (877) 607-0202 FAX (877) 607-0203
 WWW.OXYGENLIGHTING.COM

ASSEMBLY INSTRUCTIONS