

ASSEMBLY AND INSTALLATION INSTRUCTIONS

WARNING: TO AVOID RISK OF ELECTRICAL SHOCK, BE SURE TO SHUT OFF POWER PRIOR TO INSTALLING OR SERVICING THIS FIXTURE.

NOTE: Before installing, consult local electrical codes for wiring and grounding requirements.

Installation Step

1. Carefully unpack your new fixture and lay out all the parts on a clean surface. Take care not to lose any small parts necessary for installation.

2. Remove fixture screws to release mounting plate. Thread building wires through mounting plate, then secure mounting plate to the ceiling with tapping screws and j-box screws.

3. Use 3-way switch (CCT switch) to select desired color temperature.

4. Make wire connections. Refer to driver label for wire identification.

DO NOT CUT FIXTURE CABLES

-Attach ground wire to the mounting plate with a green

ground screw, then connect building ground wire using a wire nut.

-Attach white wire (neutral) from driver to white wire from

building using a wire nut.

-Attach black wire (hot) from driver to black wire from

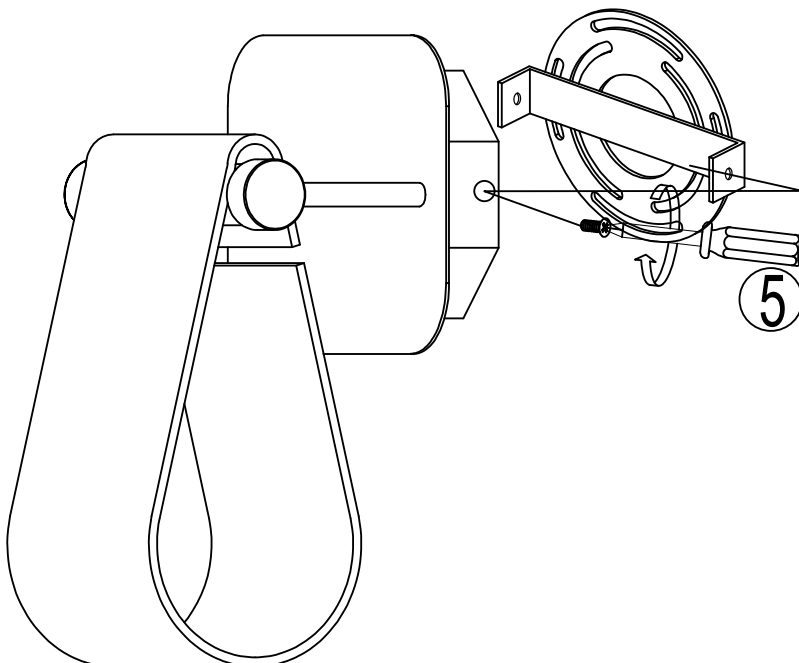
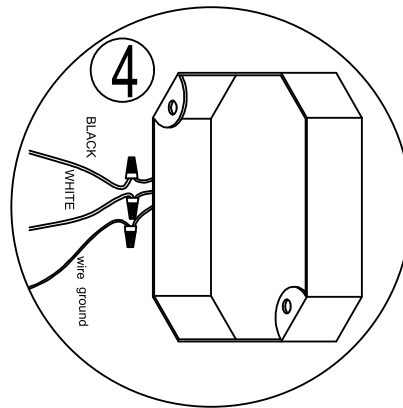
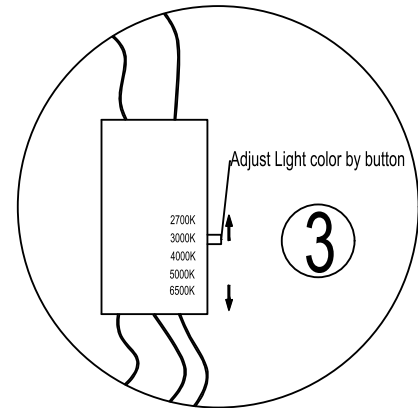
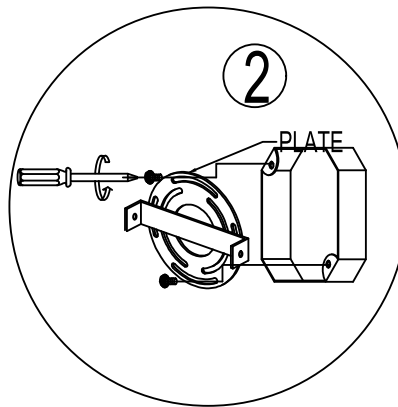
building using a wire nut.

Tuck the wire connections neatly into the junction box.

Neatly coil and secure excess cable to fit inside canopy

5. Place fixture over mounting plate and reinstall fixture screw to securely mount fixture to the ceiling.

6. Turn on the power at fuse or circuit box.



OXYGEN LIGHTING ©

oxygen

VEER Sconce
3-502-15 / 3-502-40

**ASSEMBLY
INSTRUCTIONS**