

ASSEMBLY AND INSTALLATION INSTRUCTIONS

WARNING: TO AVOID RISK OF ELECTRICAL SHOCK, BE SURE TO SHUT OFF POWER PRIOR TO INSTALLING OR SERVICING THIS FIXTURE.

NOTE: Before installing, consult local electrical codes for wiring and grounding requirements.

Installation Step

1. Carefully unpack your new fixture and lay out all the parts on a clean surface. Take care not to lose any small parts necessary for installation.

2. Remove fixture screws to release mounting plate. Thread building wires through mounting plate, then secure mounting plate to the ceiling with tapping screws and j-box screws.

3. Use 3-way switch (CCT switch) to select desired color temperature.

4. Make wire connections. Refer to driver label for wire identification.

DO NOT CUT FIXTURE CABLES

-Attach ground wire to the mounting plate with a green

ground screw, then connect building ground wire using a wire nut.

-Attach white wire (neutral) from driver to white wire from building using a wire nut.

-Attach black wire (hot) from driver to black wire from building using a wire nut.

Tuck the wire connections neatly into the junction box.

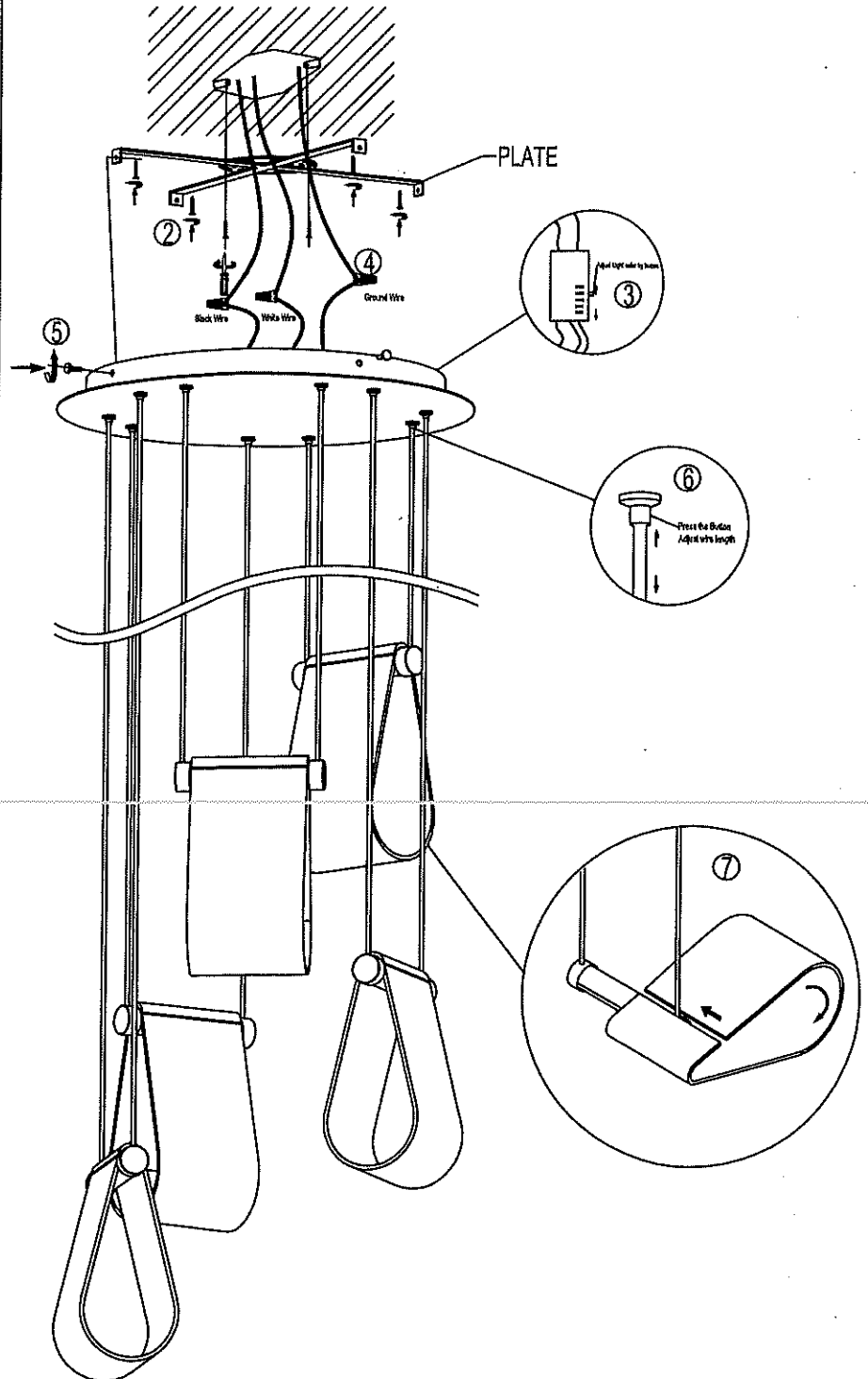
Neatly coil and secure excess cable to fit inside canopy

5. Place fixture over mounting plate and reinstall fixture screw to securely mount fixture to the ceiling.

6. The wire lock automatically locks cable until the lock button is pressed to release the cable. To adjust the fixture hanging height, press in the wire lock to release cable cord to extend length. To shorten cable cord length, simply push the cable cord upward into the canopy.

7. Assemble Glass;

8. Turn on the power at fuse or circuit box.



OXYGEN LIGHTING ©

oxygen

VEER Chandelier

ASSEMBLY
INSTRUCTIONS