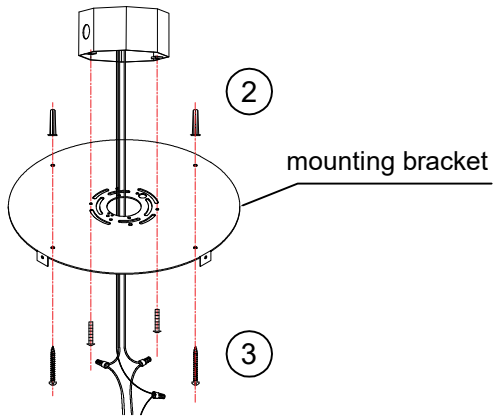


ASSEMBLY AND INSTALLATION INSTRUCTIONS

WARNING: TO AVOID RISK OF ELECTRICAL SHOCK, BE SURE TO SHUT OFF POWER PRIOR TO INSTALLING OR SERVICING THIS FIXTURE.

NOTE: Before installing, consult local electrical codes for wiring and grounding requirements.



NOTICE: J-box must be secured to building structure

Fig.1

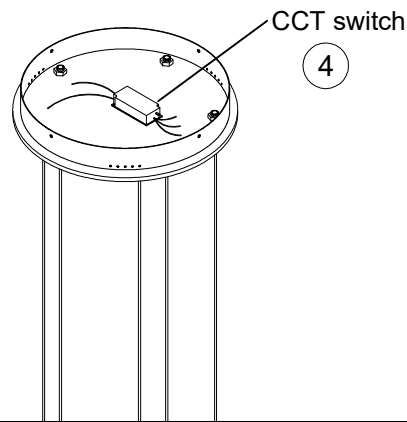


Fig.2

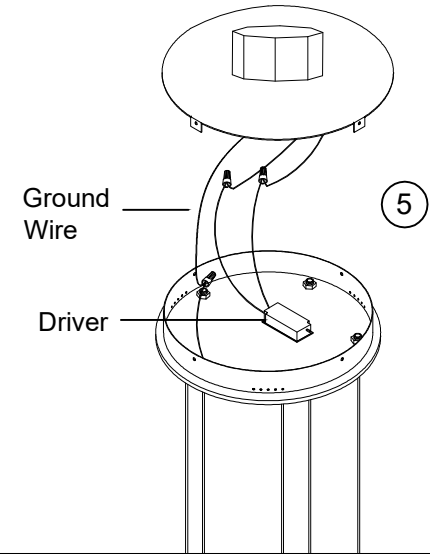
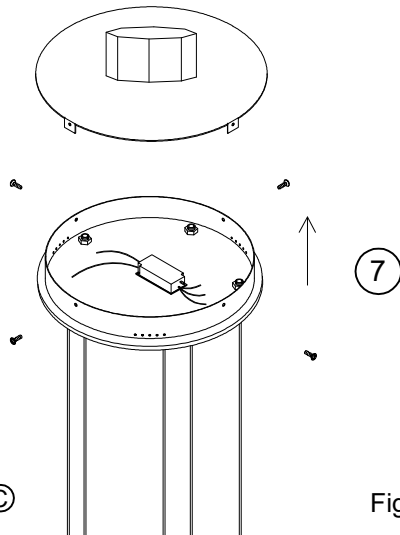


Fig.3



OXYGEN LIGHTING ©

Fig.4

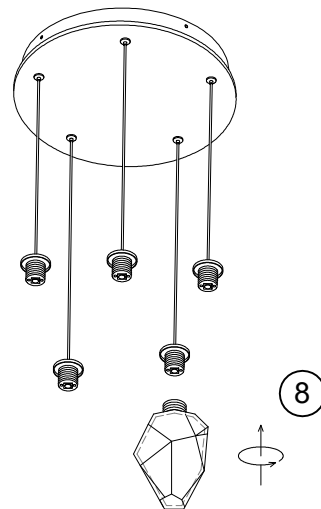


Fig.5

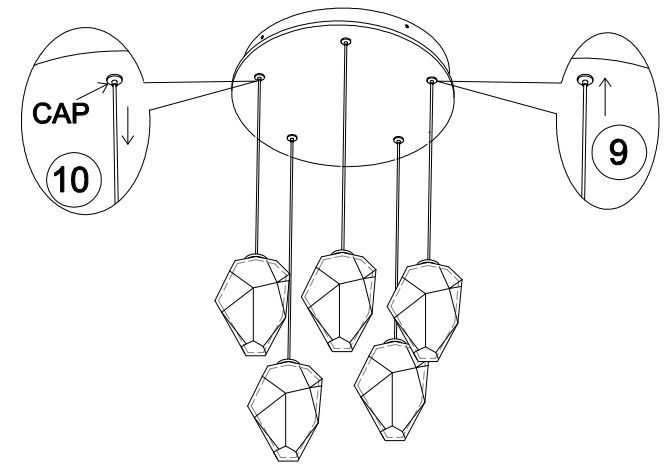


Fig.6

oxygen

OXYGEN LIGHTING
201 RAILHEAD RD, FORT WORTH, TX 76106
TEL. (877) 607-0202 FAX. (877) 607-0203
WWW.OXYGENLIGHTING.COM

ASSEMBLY AND INSTALLATION INSTRUCTIONS

WARNING: TO AVOID RISK OF ELECTRICAL SHOCK, BE SURE TO SHUT OFF POWER PRIOR TO INSTALLING OR SERVICING THIS FIXTURE.

NOTE: Before installing, consult local electrical codes for wiring and grounding requirements.

Installation Steps

1. Carefully unpack your new fixture and lay out all the parts on clean surface. Take care not to lose any small parts necessary for installation.
2. Feed the wires from ceiling through mounting bracket . (Fig. 1).
3. Mark ceiling and install ceiling anchors. Attach mounting plate to junction box and attach screws to ceiling anchors for added support (Fig.1)
4. Select desired CCT: 2700K,3000K, 4000K, 5000K,6500K on the CCT switch located in the canopy of fixture(Fig.2).
5. Make wire connections: Attach ground wire to building ground wire using a wire nut or attach them to the mounting plate with a green ground screw. Attach black wire from building to black wire from fixture using wire nut. Attach white wire from building to white wire from fixture using wire nut.
FOR DIMMING: If using a dimmer, follow wiring instructions enclosed with dimmer. Double check wiring.
6. Tuck the wire connections neatly into the junction box.
7. Place the fixture over the mounting bracket. Install the screws on the sides of the fixture to secure to the ceiling (Fig. 4).
8. Assemble the KD glass (Fig.5).
9. Adjust the fixture height. push cables up into the canopy. The cables will auto-lock in place(Fig. 6).
10. Adjust/lengthen cables, press the 'cap' (Fig. 6) to release/adjust each cable.
11. Turn power back on at fuse or circuit box.

VIVO PENDANT
120-277V 3-810-XX