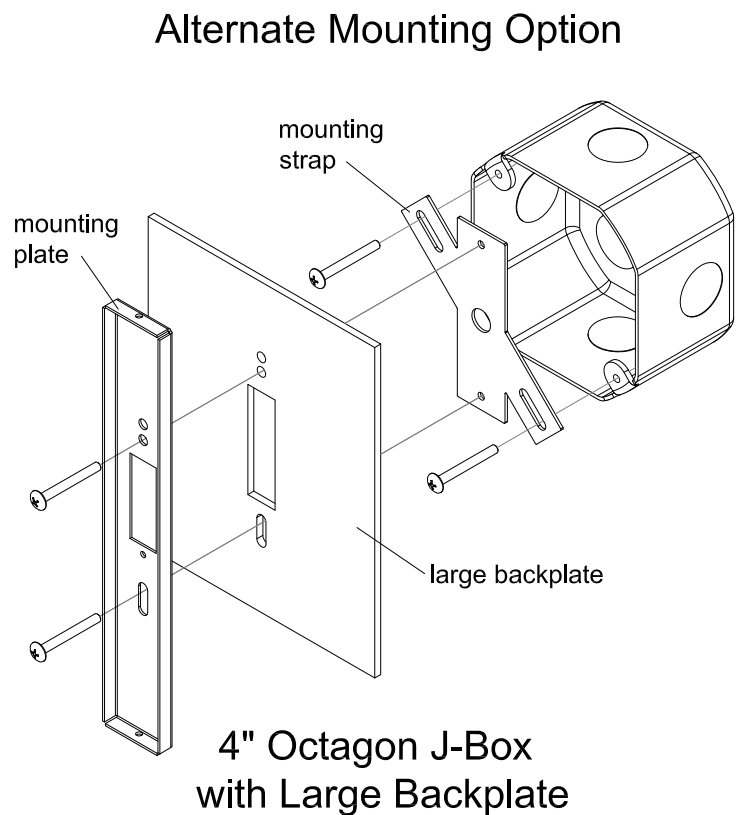
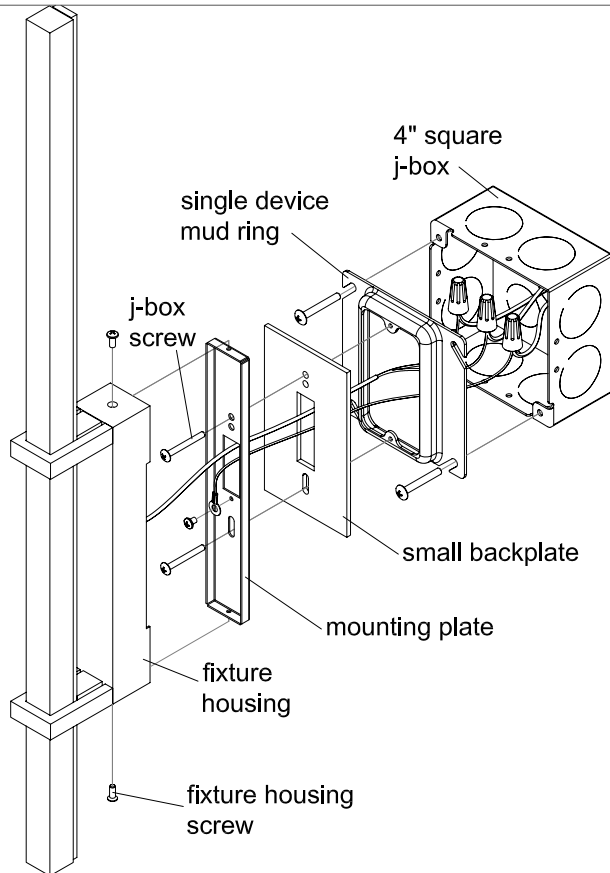


ASSEMBLY AND INSTALLATION INSTRUCTIONS

WARNING: TO AVOID RISK OF ELECTRICAL SHOCK, BE SURE TO SHUT OFF POWER PRIOR TO INSTALLING OR SERVICING THIS FIXTURE.

NOTE: Before installing, consult local electrical codes for wiring and grounding requirements.



Installation Steps

1. Carefully unpack your new fixture and lay out all the parts on a clean surface. Take care not to lose any small parts necessary for installation.
2. Secure backplate and mounting plate to the j-box using j-box screws. Be sure to keep both pieces level.
Note: If mounting to an octagon j-box, secure the mounting strap to the j-box first using j-box screws. Then, attach the large backplate and the mounting plate to the mounting strap.
3. Make wire connections: Attach ground wire to building ground wire using a wire nut.
 - **FOR DIMMING:** If using a dimmer (not included), follow wiring instructions enclosed with dimmer. Double check wiring. Tuck the wire connections neatly into the junction box.
 - **FOR NON-DIMMING:** If not using a dimming switch, with wire nuts, cap off purple and gray wires individually. Connect neutral wire (white) from fixture with neutral wire from building, hot wire (black) from fixture with hot wire from building. Double check wiring. Tuck the wire connections neatly into the junction box.
4. Attach the fixture housing to the mounting plate with the fixture housing screws. The fixture should be held securely against the wall, with the backplate fitting in the notched sides of the fixture housing.
5. Turn power back on at the fuse or circuit box.

WAND scone / **WAND** vanity
3-55-xx / **3-56-xx**

OXYGEN LIGHTING ©

oxygen

OXYGEN LIGHTING
201 RAILHEAD RD, FORT WORTH, TX 76106
TEL. (877) 607-0202 FAX (877) 607-0203
WWW.OXYGENLIGHTING.COM

ASSEMBLY INSTRUCTIONS