

ASSEMBLY AND INSTALLATION INSTRUCTIONS

WARNING: TO AVOID RISK OF ELECTRICAL SHOCK, BE SURE TO SHUT OFF POWER PRIOR TO INSTALLING OR SERVICING THIS FIXTURE.

NOTE: Before installing, consult local electrical codes for wiring and grounding requirements.

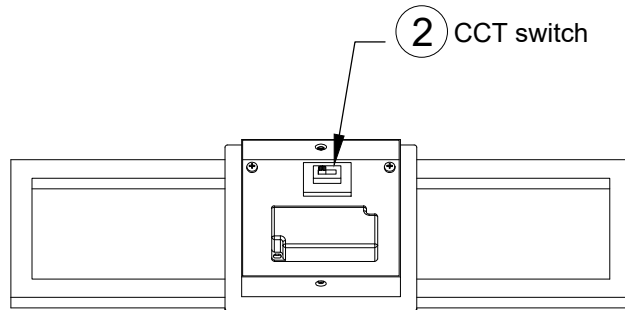


Fig.1

OXYGEN LIGHTING ©

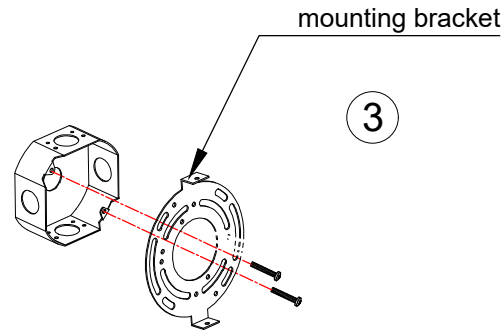


Fig.2

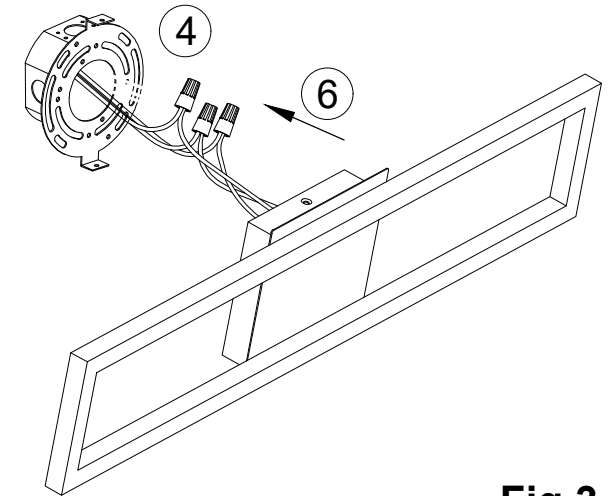


Fig.3

Installation Steps

1. Carefully unpack your new fixture and lay out all the parts on clean surface. Take care not to lose any small parts necessary for installation.
2. Select the appropriate color temperature by turning the CCT switch: 3000K, 3500K, 4000K. **(Fig.1)**
3. Secure mounting bracket to junction box and gently pull wires from junction box out through center hole. **(Fig. 2)**
4. Make wire connections: Attach ground wire to building ground wire using a wire nut or attach them to the mounting plate with a green ground screw.
 - **FOR DIMMING:** If using a dimmer, follow wiring instructions enclosed with dimmer. Double check wiring.
 - **FOR NON-DIMMING:** If not using a dimming switch, with wire nuts, cap off white and black wires individually. Wire positive wire with positive wire, negative wire with negative wire. Double check wiring.
5. Tuck the wire connections neatly into the junction box.
6. Place the fixture over the mounting bracket. Install the two screws on the sides of the fixture to secure it to the wall. **(Fig.3)**
7. Turn power back on at fuse or circuit box.

Xanni vanity
120-277v **3-5055-XX**
120-277v **3-5056-XX**

oxygen

OXYGEN LIGHTING
201 RAILHEAD RD, FORT WORTH, TX 76106
TEL. (877) 607-0202 FAX. (877) 607-0203
WWW.OXYGENLIGHTING.COM

ASSEMBLY INSTRUCTIONS