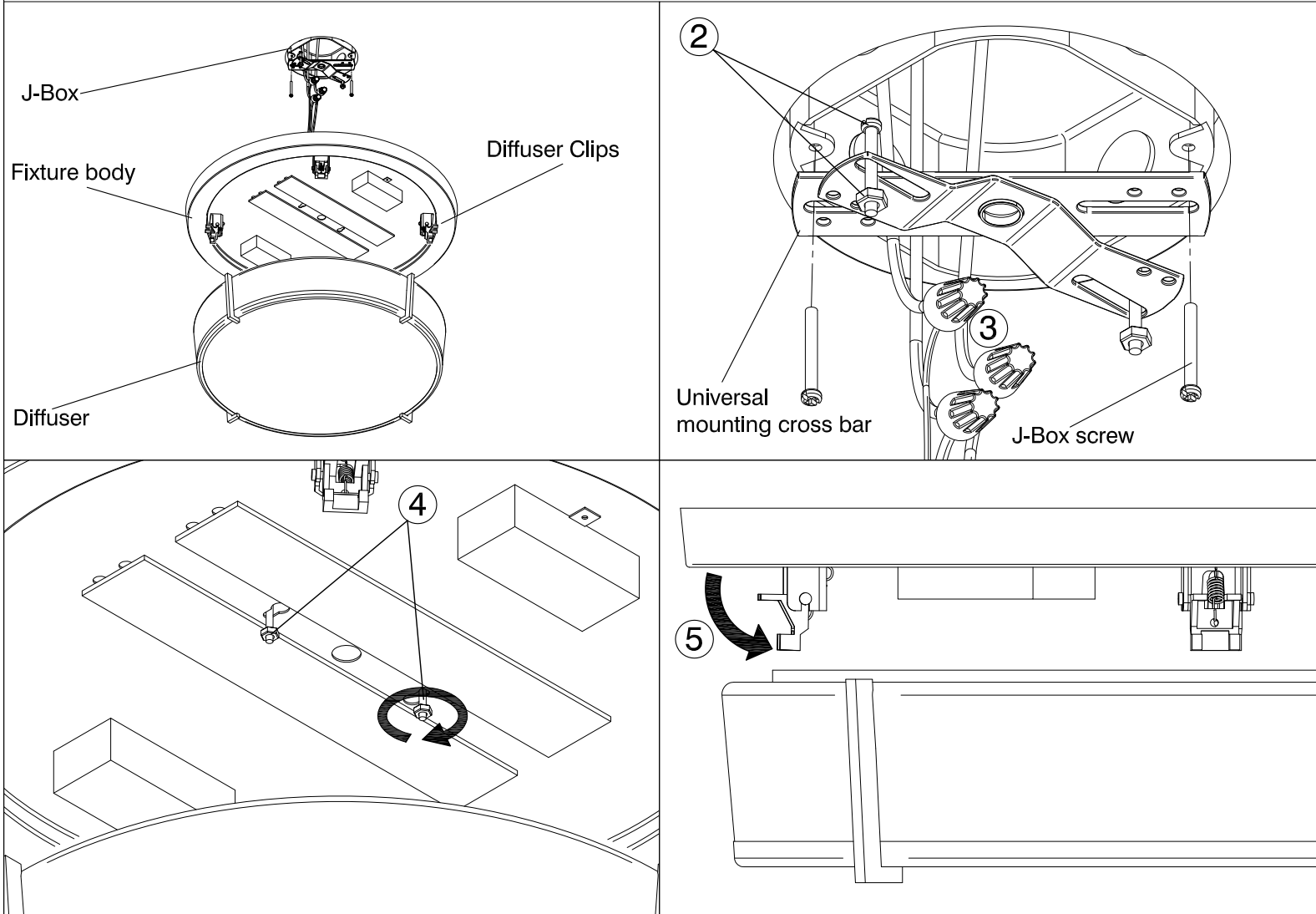


# ASSEMBLY AND INSTALLATION INSTRUCTIONS

**WARNING: TO AVOID RISK OF ELECTRICAL SHOCK, BE SURE TO SHUT OFF POWER PRIOR TO INSTALLING OR SERVICING THIS FIXTURE.**

**NOTE: Before installing, consult local electrical codes for wiring and grounding requirements.**



## Installation Steps

- Carefully unpack your new fixture and lay out all the parts on a clean surface. Take care not to lose any small parts necessary for installation.
- Install a nut and bolt to each slot of the universal mounting cross bar loose like illustrated. Install mounting cross bar to j-box securely with j-box screws.
- Make wire connections: Attach ground wire to building ground wire using a wire nut or attach them to the mounting plate with a green ground screw.
  - FOR DIMMING:** If using a dimmer (not included), follow wiring instructions enclosed with dimmer. Double check wiring. Tuck wires neatly into junction box.
  - FOR NON-DIMMING:** If not using a dimming switch, with wire nuts, cap off purple and gray wires individually. Wire positive wire with positive wire, negative wire with negative wire. Double check wiring. Tuck wires neatly into junction box.
- Install fixture body to mounting cross bar by guiding fixture key slot holes over the two nuts and bolts from step two. Turn the fixture to lock in the nut to help keep the fixture from falling while the nuts are tightened. Tighten nuts until the fixture is secure against the ceiling and cannot be turned easily.
- Prepare to install diffuser by opening all the spring loaded diffuser clips (4 total) so they look like image **io** Ceiling mount above. Carefully place diffuser against the clips and press firmly until you hear a loud click. Diffuser should be flush against fixture body on all sides.
- Restore power.

OXYGEN LIGHTING ©

**oxygen**

OXYGEN LIGHTING  
201 RAILHEAD RD, FORT WORTH, TX 76106  
TEL. (877) 607-0202 FAX (877) 607-0203  
WWW.OXYGENLIGHTING.COM

**ASSEMBLY INSTRUCTIONS**

**io** Ceiling mount  
120v **3-689-xx**  
277v **37-689-xx**