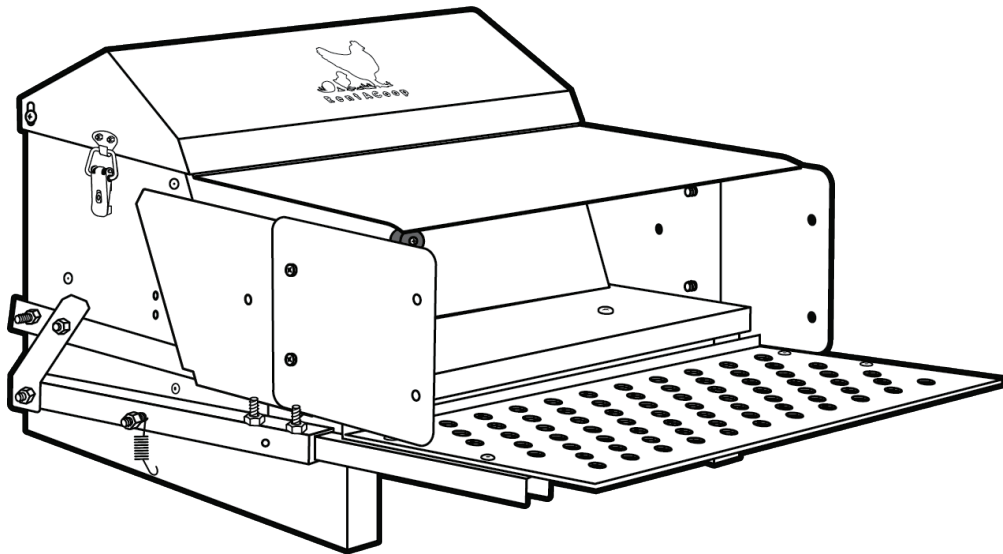




# TREADLE FEEDER

25-POUND CAPACITY

## USER MANUAL



**MAKE. IT. BIGGER.**  
 add on our stackable  
 treadle feeder extension.

each extension increases the  
 feed-capacity by 15 pounds!\*

\*sold separately,  
 available on  
 amazon.

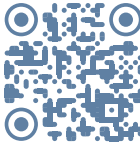
**QUESTIONS?**  
 CONTACT OUR  
 EGG-SPERTS

info@rentacoop.com  
 1 800-642-3571  
 M-F 9-5 EST

@rentacoop  
 #rentacoop

share your setup with  
 rentacoop's chicken  
 community on amazon!

### TABLE OF CONTENTS

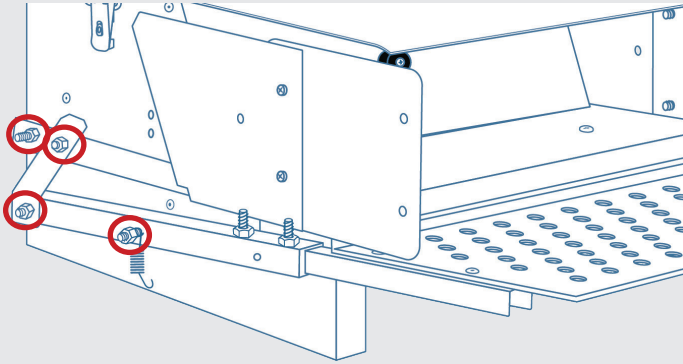
Before You Begin	2
List of Parts Included	2-3
Instructions	2-3
Video Instructions	
Weight Plate	BACK COVER
Training Your Chickens	BACK COVER
Lid Locks	BACK COVER

THIS PRODUCT IS INTENDED FOR FULL-SIZED CHICKENS THAT ARE 12 WEEKS AND OLDER AND BANTAM CHICKENS THAT ARE 20 WEEKS AND OLDER

## Before You Begin

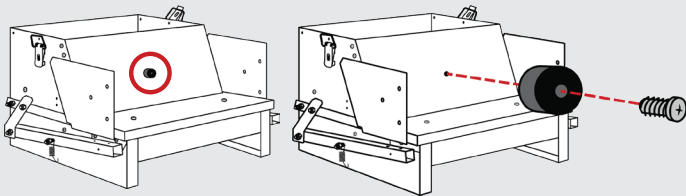
**DO NOT TIGHTEN ANY OF THE LOCK NUTS CIRCLED BELOW!  
DO NOT TIGHTEN LOCK NUTS ON EITHER SIDE OF THE FEEDER! THEY MUST REMAIN LOOSE!**

The lock nuts are loose on purpose. This allows the feed-access lid to open with the same amount of applied pressure/weight every time the treadle is stepped on. Tightening these lock nuts will make it difficult for your chickens to open the feed-access lid. These are lock nuts and **will not fall off over time.**



**MAKE SURE THE STOPPER IS ON THE FEEDER!**

The stopper limits the noise caused by the feed-access lid opening and prevents the lid from clinging to the feeder so that it will not be left open unattended.



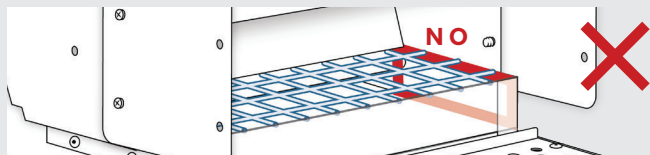
Your feeder may have arrived with the stopper already pre-installed. If it is not attached to the feeder, install the rubber stopper on the feeder using the screw provided.

**CHECK THE POSITION OF THE FEEDING GRID!**

The feeding grid is located inside the feeder below the feed-access lid. The grid should be at an angle where the front of the grid is angled **towards the bottom of the feed area.**



If the front of the grid is level with the top of the feed area, the chickens will not be able to access the feed when the feed-level gets too low.



## Lists of Parts Included



4x  
locknuts



4x  
machine  
screws



4x  
medium  
bolts

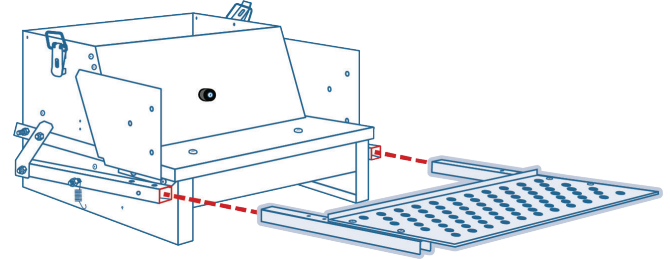
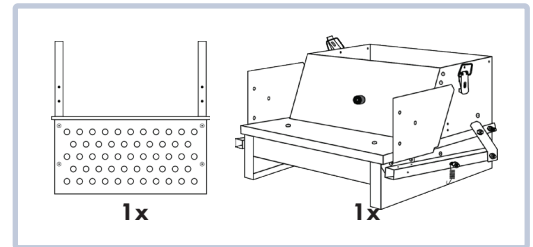


4x  
treadle  
bolts

## Instructions

1

Slide the treadle into the levers on the feeder.

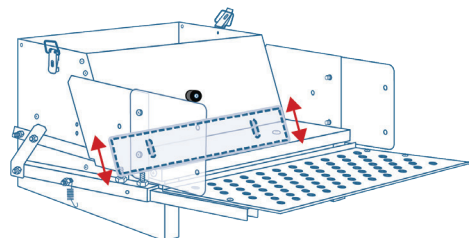


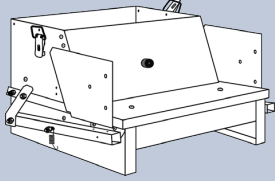
4

Raise or lower the feed-flow plate to the desired height by adjusting the lock nuts located inside the feeder and repositioning the plate. (Plate and lock nuts are viewable from the top. See diagram below for location of feed-flow plate).

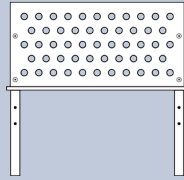
For PELLETS — lift plate to highest position.

For CRUMBLES, GRAIN OR SCRATCH — set the plate on the lowest to medium setting.

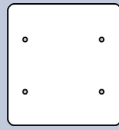




1x feeder



1x treadle



2x blinders



1x rain cover



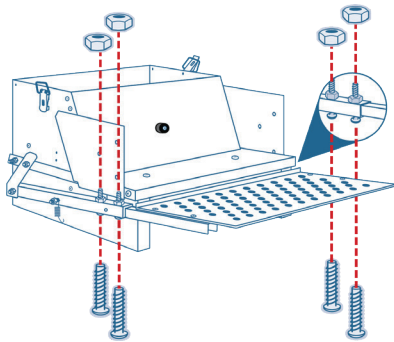
1x lid



1x waterproof sticker cover

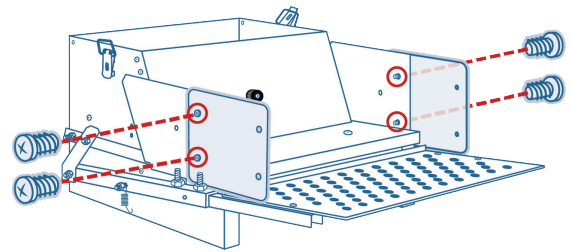
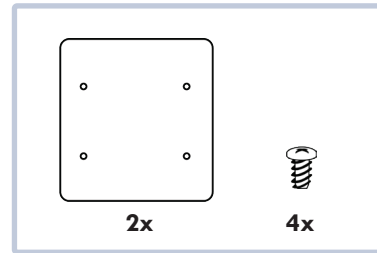
2

Secure the treadle to the levers using the [4] treadle bolts and [4] lock nuts provided.



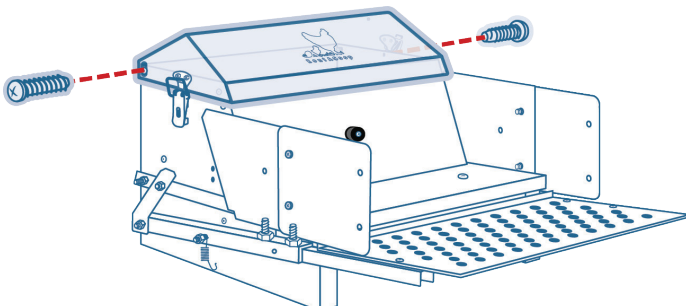
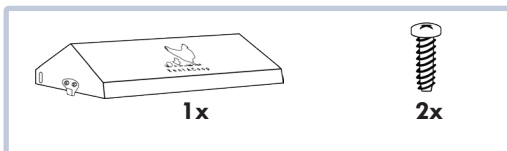
3

Attach the blinders using four of the machine screws provided.



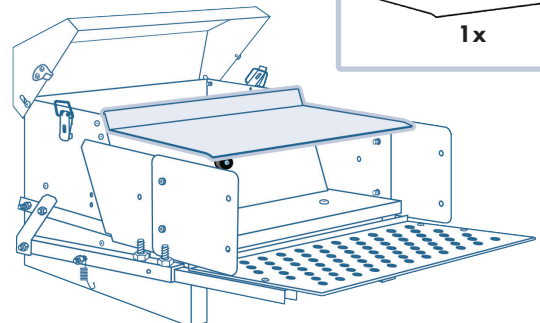
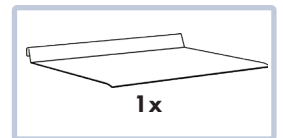
5

Attach upper lid using the [2] medium bolts provided. **CAUTION!** Do not tighten all the way in order to allow the lid to open and close easily.



6

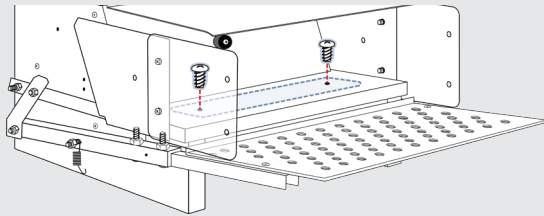
For outdoor use, attach rain cover by opening the lid and hanging the rain cover over the front brim of the feeder. Close lid.



Place treadle feeder on level ground for best results.

# Weight Plate

The weight plate is attached underneath the feed-access lid and is secured by two screws.



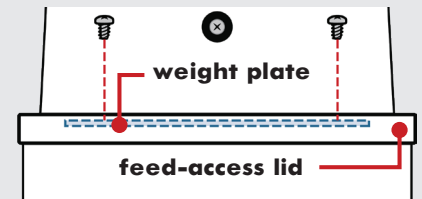
If your flock consists of normal-sized chickens that weigh 3 pounds or more, leave the weight plate attached.

If you have Bantam chickens or chickens that are under 3 pounds, remove the weight plate.

# Weight Plate Removal — Follow steps 1-3 below

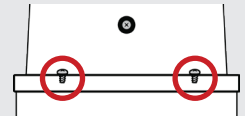
1 — Remove the two screws that are located on top of the feed-access lid.

FRONT VIEW OF FEEDER



2 — Release and remove the weight plate.

3 — Replace the screws back onto the feed-access lid to prevent water from entering the feeder.



# Training Your Chickens

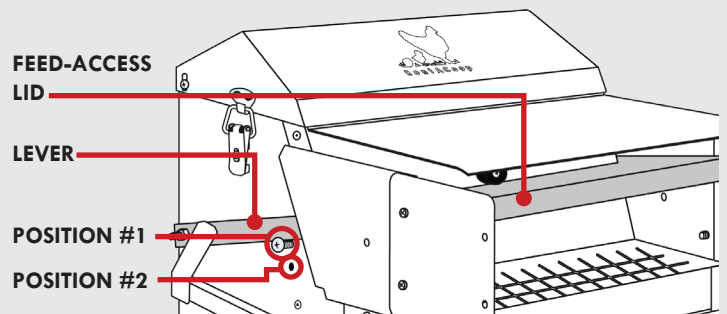
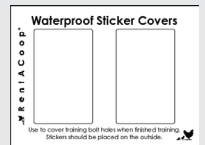
**First week with the feeder** — Over the first week, our goal is to familiarize the chickens to the sight and sound of their new feeder. To begin training, lift the feed-access lid as high as possible and place 2 training bolts (medium bolts) in **position #1** (see diagram) on each side of the feeder. This allows the feed-access lid to remain open with minimal movement. Your chickens will be able to see the feed while limiting the clanking sound of the feeder while they're eating.

**Week 2 with the feeder** — Move the training bolt to **position #2** (see diagram). When the chickens step onto the treadle this week, the lid will move and open two inches. This will prepare them for a feeder that opens fully and quickly next week.

**Week 3 and beyond** — Remove the training bolts. Your chickens should be fully-trained on how to use their new feeder.

**MOST IMPORTANT STEP!** Remove the old feeder and put the new treadle feeder in the **exact same spot**.

**After training** — Included with your treadle feeder is a set of waterproof sticker covers. Once training is over, place these stickers over the holes of position #1 and #2.



(NOTE — DURING TRAINING, MAKE SURE THE LEVER (THE ONE ATTACHED TO THE FEED-ACCESS LID) SITS ABOVE THE TRAINING BOLT SO THAT THE FEED-ACCESS LID REMAINS OPEN AT ALL TIMES).

# Lid Locks

To secure the main lid, lock the sides using the hinge locks. Do this for both sides.

Use the lower lid locks at night to stop the feeder from opening for large creatures that can step on the treadle (such as raccoons). Latch the lower lid lock onto the lever above it to stop the feed-access lid from opening. Make sure to lock both levers located on the left and right sides of the feeder if you're having issues with larger animals coming at night.

