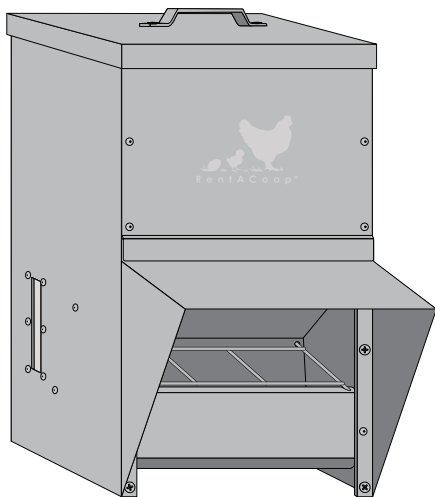




USER MANUAL

Trough Feeder for Poultry

10LB | 25LB | 50LB-Capacity



**Pictured product image shows the 10LB-Capacity Feeder*

****Installation Instructions for all sizes are the same and are included in this User Manual.**

MT-10LB-FEDR
MT-25LB-FEDR
MT-50LB-FED1


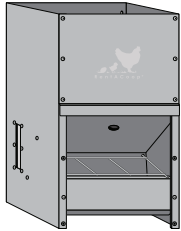
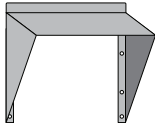


December 2025

TABLE OF CONTENTS

PACKAGE CONTENTS	3
HOW TO ASSEMBLE	4
CONTACT INFORMATION	BACK COVER

PACKAGE CONTENTS

CAUTION: Feeder includes pre-installed magnets to secure lid

1x lid	
1x feeder	
1x rain hood	
4x machine screws	
2x mounting screws*	
* 50-LB includes 3x mounting screws	

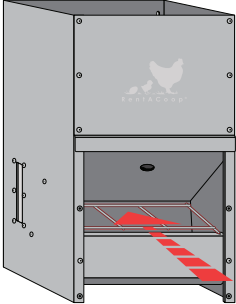
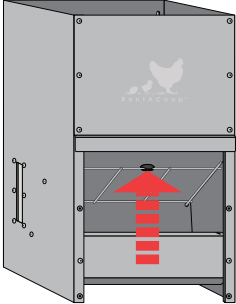
INSTALLATION NOTE:
The installation instructions for the 10-, 25-, and 50-pound feeders are identical, with one exception: the 50-pound feeder requires three mounting screws instead of two.

You will need a phillips head screwdriver (not included)



POSITIONING GRILL IN THE STOWED POSITION

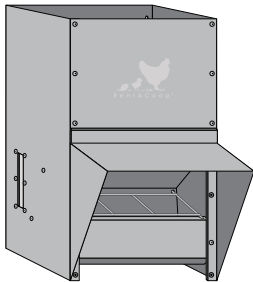
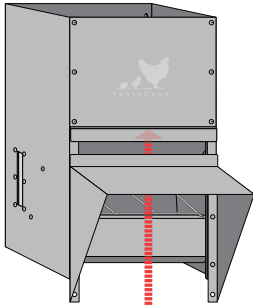
The grill can be positioned away for easy-cleaning and for use with other animals such as ducks and pet geese.

	
1. Slide the grill toward and into the feeder	2. Lift upward and push into the grill holder to secure it in place.

HOW TO ASSEMBLE

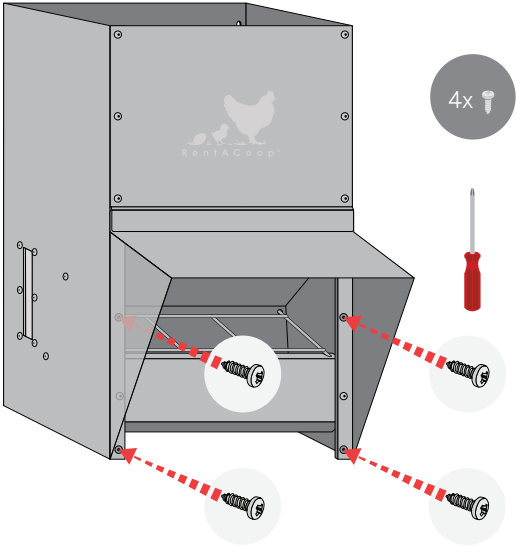
Note: For steps 1-2, lay the feeder on its back on a table for easy assembly.

1. Slide rain hood UNDER feeder lip.



It should look like this.

2. Align the pre-drilled holes of the rainhood with the holes of the feeder. Using a screwdriver, install four of the machine screws first into the four corners of the aligned pre-drilled holes.

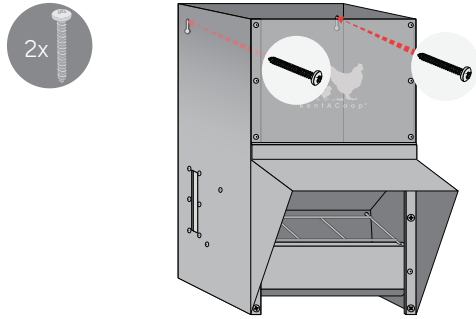


3. Anchor your feeder to a wall using the mounting screws provided.

4. Fill with feed and cover with lid.

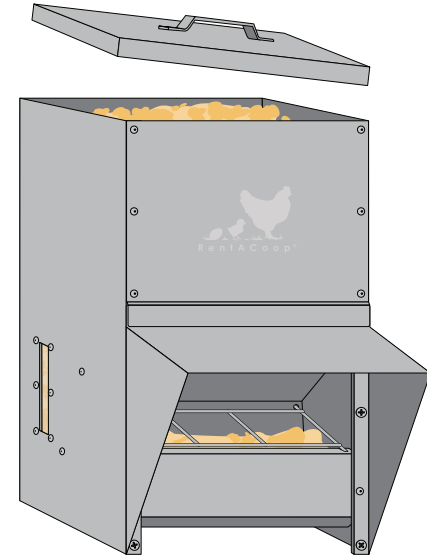
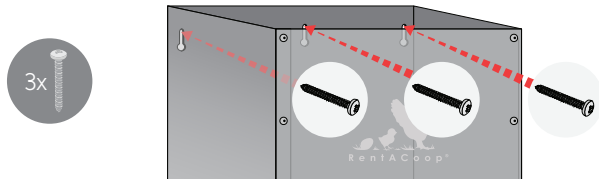
10 and 25-pound Feeder

The 10 and 25-pound feeder requires 2 mounting screws.



50-pound Feeder

The 50-pound feeder requires 3 mounting screws.





@rentacoop
#rentacoop