

V35 TECHNICAL DATASHEET



PROFESSIONAL GRADE
PERFORMANCE

The GPRO V35 Series features a high flow vane pump design suitable for stationary applications fueling large equipment.

35 | 132
GPM | L/min

120V/240V AC
Dual Voltage Configurable

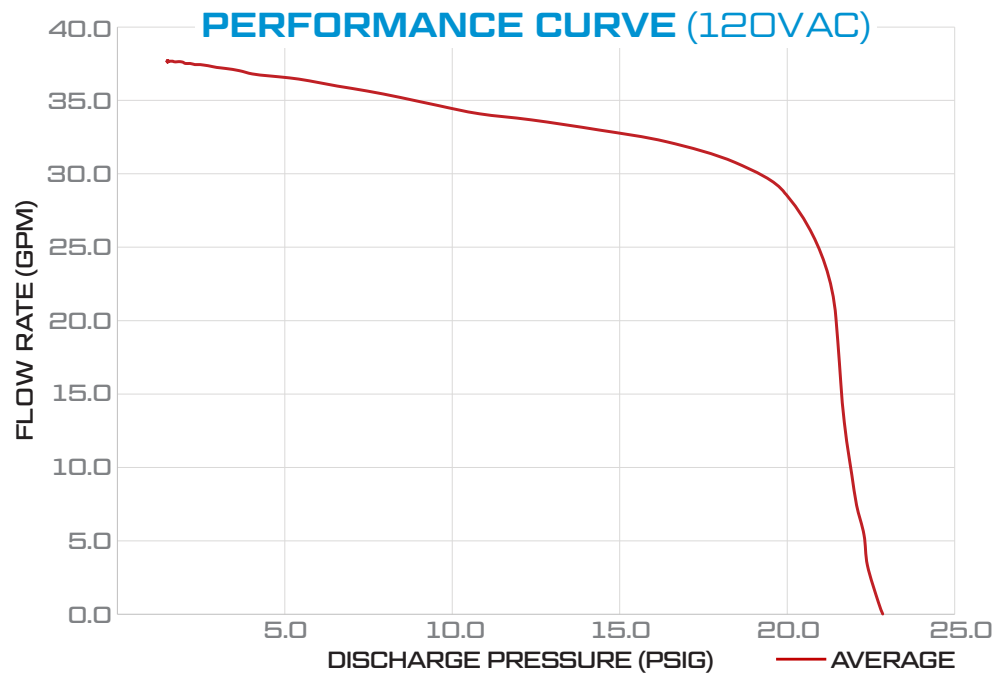


WETTED MATERIALS (ALL MODELS)

| | |
|------------------------------|----------------------|
| Housing & Cover Plates: | Cast Iron & Aluminum |
| Rotor & Motor Shaft: | Steel |
| Vane: | Carbon |
| Check Valve & Strainer Mesh: | PBT / Polyester |
| Poppet Valve: | Acetal |
| Seals: | NBR, FKM |

SPECS (ALL MODELS)

| | | |
|------------------------------------|---------------------------|----------------------|
| Max. Flow Rate: | 35 GPM 132 L/min | |
| Max. Discharge Pressure: | Up to 23 PSI (1.6 bar) | |
| Dry Vacuum: | 12 in. Hg | |
| At Sea Level 70° F (21.1° C) | Suction Lift: | Up to 15 ft. (4.5 m) |
| | Discharge Lift: | Up to 18 ft. (5.5 m) |
| Warranty: | Limited Lifetime Warranty | |

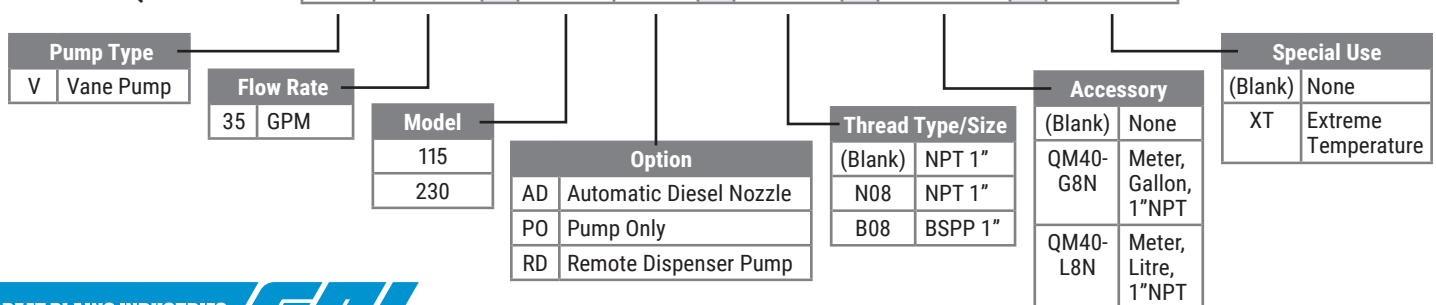


V35 SERIES MODEL NUMBERS

Example:

V35-115PO+QM40-G8N

| | | | | | | | | | | |
|------|-----------|---|-------|--------|---|--------|---|-----------|---|-------------|
| V | 35 | - | 115 | PO | - | | + | QM40-G8N | + | |
| Type | Flow Rate | | Model | Option | | Thread | | Accessory | | Special Use |



V35 MOTOR SPECS

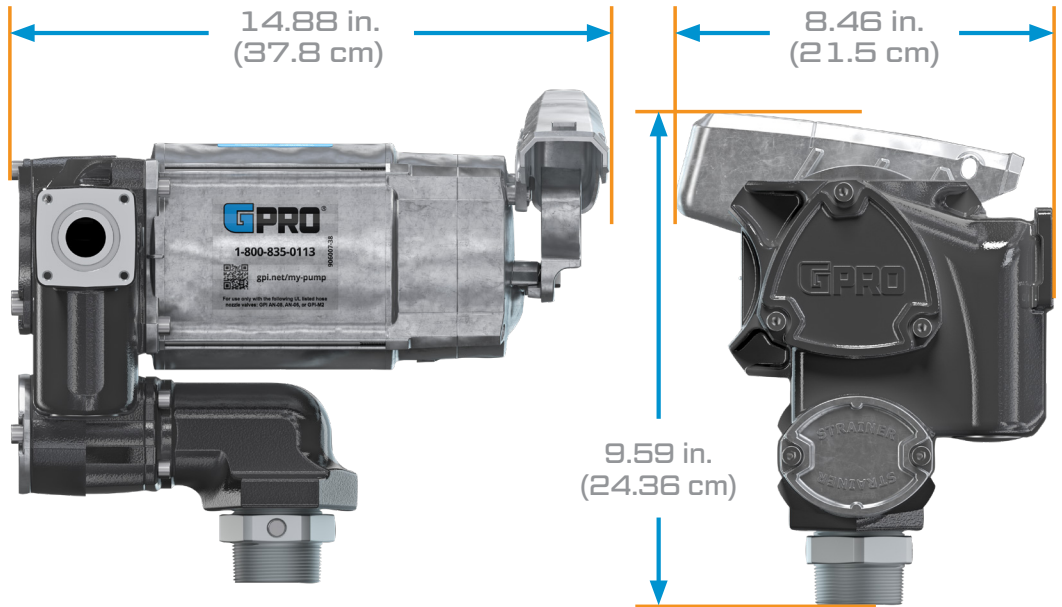


SPECS (ALL MODELS)

| | |
|--------------------------|----------------------------------------|
| Motor HP: | 1 |
| Motor RPM: | 1700 |
| Duty Cycle: | 30 min. on/30 min. off |
| Motor Protection: | Thermal Breaker (Automatically Resets) |
| Power Cord: | Not Included |

Refer to manual for wiring instructions

DIMENSIONS



| | 172000-01 V35-115PO-N08 | 172000-51 V35-115PO-N08+XT | 172000-05 V35-115RD-N08 | 172000-03 V35-115AD |
|---------------------------|----------------------------------------------------------------------------------------|-------------------------------|---------------------------------------------------------|------------------------|
| Voltage, Input: | 120V (AC) 60Hz 240V (AC) 60Hz (Dual Voltage Configurable) | | | |
| Amps (Rated) 60Hz: | 120V (AC) 8.1 Amps 240V (AC) 4.3 Amps | | | |
| Fluid Statement: | Gasoline up to E15, Diesel Fuel up to B20, Kerosene, (Avgas 100LL), Jet A and Jet A-1* | | Gasoline up to E15, Diesel Fuel up to B20, and Kerosene | |
| Approvals: | cULus Motor Listed for Hazardous Locations Class I, Division 1, Group D USA and Canada | | | |

**For ground-based refueling only. Do not use in or on the aircraft. For use with aviation gasoline (Avgas 100LL), Jet A, and Jet A-1. User should consult NFPA 407 Standard for Aircraft Fuel Servicing for safety requirements during ground fuel servicing of aircraft using liquid petroleum fuels. This product has no actual or implied compliance with this standard. Owners and operators are responsible for compliance to all applicable regulations.*

| Part No. | | Description | | | | What's in the Box | | | | |
|---------------------------------------|-----------------------------|----------------------------------------------------------|------------------|----------------|------------------|-----------------------------------------------------------------------------------------------------------------------------------------------------------------|----------------|------------------|-------------|--------------------|
| 172000-01 | | PUMP, FUEL 120V 35 GPM, PUMP ONLY, 1" NPT | | | | V35-115PO 120V AC 35 GPM Fuel Transfer Pump, Nozzle cover, Quick-Fit 90-Degree & Straight Outlets w/ hardware, Tank adapter, Thread tape, Owner's manual | | | | |
| Model V35-115PO-N08 | | | | | | | | | | |
| Operating Temperature | Mounting Type | Suction Pipe | Inlet | Modular Outlet | Hose Length | Hose Fitting Diameter | Hose Approvals | Nozzle Size | Nozzle Type | Nozzle Holder Type |
| -20° F to 125° F (-29° C to 52° C) | Direct Mount, 2 in. MNPT | Not Included | 1.25 in. FNPT | 1 in. FNPT | – Not Included – | | | – Not Included – | | Lockable |

| Part No. | | Description | | | | What's in the Box | | | | |
|---------------------------------------|-----------------------------|-----------------------------------------------------|------------------|----------------|------------------|---------------------------------------------------------------------------------------------------------------------------------------------------------------------------------------------------------------|----------------|---------------------|-------------------------------|--------------------|
| 172000-03 | | PUMP, FUEL 120V 35 GPM, AUTO, 1" NPT | | | | V35-115AD 120V AC 35 GPM Fuel Transfer Pump, Nozzle cover, Auto shut-off diesel nozzle, Dispensing hose, Quick-Fit 90-Degree & Straight Outlets w/ hardware, Tank adapter, Thread tape, Owner's manual | | | | |
| Model V35-115AD | | | | | | | | | | |
| Operating Temperature | Mounting Type | Suction Pipe | Inlet | Modular Outlet | Hose Length | Hose Fitting Diameter | Hose Approvals | Nozzle Size | Nozzle Type | Nozzle Holder Type |
| -20° F to 125° F (-29° C to 52° C) | Direct Mount, 2 in. MNPT | Not Included | 1.25 in. FNPT | 1 in. FNPT | 18 ft. (5.5m) | 1 in. MNPT | UL Listed | 1 in. FNPT Inlet | Automatic Shut-off, Diesel | Lockable |

| Part No. | | Description | | | | What's in the Box | | | | |
|---------------------------------------|-----------------------------|--------------------------------------------------------------|------------------|----------------|------------------|--------------------------------------------------------------------------------------------------------------------------------------------------------------------|----------------|------------------|-------------|--------------------|
| 172000-51 | | PUMP, FUEL 120V 35 GPM, PUMP ONLY, 1" NPT, XT | | | | V35-115PO+XT 120V AC 35 GPM Fuel Transfer Pump, Nozzle cover, Quick-Fit 90-Degree & Straight Outlets w/ hardware, Tank adapter, Thread tape, Owner's manual | | | | |
| Model V35-115PO-N08+XT | | | | | | | | | | |
| Operating Temperature | Mounting Type | Suction Pipe | Inlet | Modular Outlet | Hose Length | Hose Fitting Diameter | Hose Approvals | Nozzle Size | Nozzle Type | Nozzle Holder Type |
| -40° F to 125° F (-40° C to 52° C) | Direct Mount, 2 in. MNPT | Not Included | 1.25 in. FNPT | 1 in. FNPT | – Not Included – | | | – Not Included – | | Lockable |

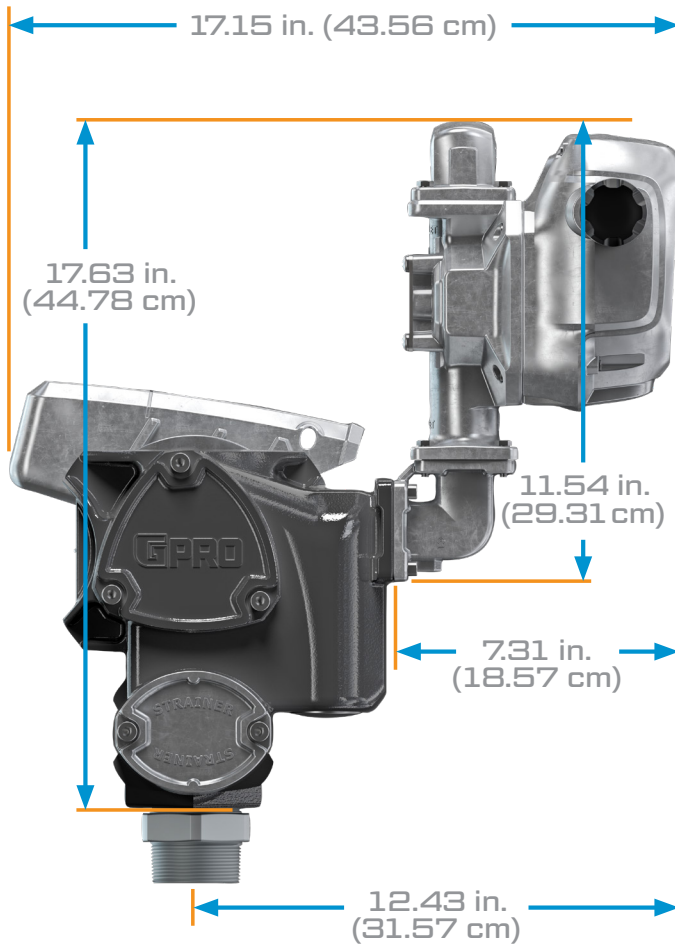
| Part No. | | Description | | | | What's in the Box | | | | |
|---------------------------------------|-----------------------------|---------------------------------------------------------|------------------|----------------|------------------|-----------------------------------------------------------------------------------------------------------------------------------------------------------------------|----------------|------------------|-------------|--------------------|
| 172000-05 | | PUMP, FUEL 120V 35 GPM, REMOTE DISPENSER | | | | V35-115RD 120V AC 35 GPM Fuel Transfer Pump, Lever lock bracket, Quick-Fit 90-Degree & Straight Outlets w/ hardware, Tank adapter, Thread tape, Owner's manual | | | | |
| Model V35-115RD-N08 | | | | | | | | | | |
| Operating Temperature | Mounting Type | Suction Pipe | Inlet | Modular Outlet | Hose Length | Hose Fitting Diameter | Hose Approvals | Nozzle Size | Nozzle Type | Nozzle Holder Type |
| -20° F to 125° F (-29° C to 52° C) | Direct Mount, 2 in. MNPT | Not Included | 1.25 in. FNPT | 1 in. FNPT | – Not Included – | | | – Not Included – | | Lockable |

V35 PUMP SPECS



PROFESSIONAL GRADE
PERFORMANCE

PUMP AND METER COMBOS



| Part No. | Description | | | | | | | | | | What's in the Box | | |
|------------------------------------|-----------------------------------------------------------------------------------------|--------------|---------------|----------------|-------------|-----------------------|------------------|-------------|-------------|--------------------|------------------------------------------------------------------------------------------------------------------------------------------------------------------------------------------------------------------------------------------|--|--|
| 172050-01 | COMBO GALLONS PUMP, FUEL, 120V, 35 GPM, PUMP ONLY, METER, FUEL, 1" NPT | | | | | | | | | | V35-115PO 120V AC 35 GPM Fuel Transfer Pump, Nozzle cover, Quick-Fit 90-Degree & Straight Outlets w/ hardware, Tank adapter, Thread tape Owner's manual QM40-G8N Fuel meter with gallon register, Hardware, Owner's manual | | |
| Model V35-115PO+QM40-G8N | | | | | | | | | | | | | |
| Operating Temperature | Mounting Type | Suction Pipe | Inlet | Modular Outlet | Hose Length | Hose Fitting Diameter | Hose Approvals | Nozzle Size | Nozzle Type | Nozzle Holder Type | | | |
| -20° F to 125° F (-29° C to 52° C) | Direct Mount, 2 in. MNPT | Not Included | 1.25 in. FNPT | 1 in. FNPT | | | - Not Included - | | | Lockable | | | |

| Part No. | Description | | | | | | | | | | What's in the Box | | |
|------------------------------------|----------------------------------------------------------------------------------------|--------------|---------------|----------------|-------------|-----------------------|------------------|-------------|-------------|--------------------|-----------------------------------------------------------------------------------------------------------------------------------------------------------------------------------------------------------------------------------------|--|--|
| 172050-02 | COMBO LITRES PUMP, FUEL, 120V, 35 GPM, PUMP ONLY, METER, FUEL, 1" NPT | | | | | | | | | | V35-115PO 120V AC 35 GPM Fuel Transfer Pump, Nozzle cover, Quick-Fit 90-Degree & Straight Outlets w/ hardware, Tank adapter, Thread tape Owner's manual QM40-L8N Fuel meter with Litre register, Hardware, Owner's manual | | |
| Model V35-115PO+QM40-L8N | | | | | | | | | | | | | |
| Operating Temperature | Mounting Type | Suction Pipe | Inlet | Modular Outlet | Hose Length | Hose Fitting Diameter | Hose Approvals | Nozzle Size | Nozzle Type | Nozzle Holder Type | | | |
| -20° F to 125° F (-29° C to 52° C) | Direct Mount, 2 in. MNPT | Not Included | 1.25 in. FNPT | 1 in. FNPT | | | - Not Included - | | | Lockable | | | |

PUMP AND METER COMBOS (CONT.)

| Part No. | | Description | | | | | What's in the Box | | | | |
|---------------------------------------|-----------------------------|----------------------------------------------------------------------------------------------|------------------|----------------|------------------|-----------------------|--------------------------------------------------------------------------------------------------------------------------------------------------------------------------------------------------------------------------------------------------------------------------------------------|---------------------|-------------------------------|--------------------|--|
| 172050-06 | | COMBO GALLONS PUMP, FUEL, 120V, 35 GPM, AUTO, METER, FUEL, 1" NPT | | | | | V35-115AD 120V AC 35 GPM Fuel Transfer Pump, Nozzle cover, Auto shut-off diesel nozzle, Dispensing hose, Quick-Fit 90-Degree & Straight Outlets w/ hardware, Tank adapter, Thread tape, Owner's manual QM40-G8N Fuel meter with gallon register, Hardware, Owner's manual | | | | |
| Model | | | | | | | | | | | |
| Operating Temperature | Mounting Type | Suction Pipe | Inlet | Modular Outlet | Hose Length | Hose Fitting Diameter | Hose Approvals | Nozzle Size | Nozzle Type | Nozzle Holder Type | |
| -20° F to 125° F (-29° C to 52° C) | Direct Mount, 2 in. MNPT | Not Included | 1.25 in. FNPT | 1 in. FNPT | 18 ft. (5.5m) | 1 in. MNPT | UL Listed | 1 in. FNPT Inlet | Automatic Shut-off, Diesel | Lockable | |

| Part No. | | Description | | | | | What's in the Box | | | | |
|---------------------------------------|-----------------------------|---------------------------------------------------------------------------------------------|------------------|----------------|------------------|-----------------------|-------------------------------------------------------------------------------------------------------------------------------------------------------------------------------------------------------------------------------------------------------------------------------------------|---------------------|-------------------------------|--------------------|--|
| 172050-07 | | COMBO LITRES PUMP, FUEL, 120V, 35 GPM, AUTO, METER, FUEL, 1" NPT | | | | | V35-115AD 120V AC 35 GPM Fuel Transfer Pump, Nozzle cover, Auto shut-off diesel nozzle, Dispensing hose, Quick-Fit 90-Degree & Straight Outlets w/ hardware, Tank adapter, Thread tape, Owner's manual QM40-L8N Fuel meter with Litre register, Hardware, Owner's manual | | | | |
| Model | | | | | | | | | | | |
| Operating Temperature | Mounting Type | Suction Pipe | Inlet | Modular Outlet | Hose Length | Hose Fitting Diameter | Hose Approvals | Nozzle Size | Nozzle Type | Nozzle Holder Type | |
| -20° F to 125° F (-29° C to 52° C) | Direct Mount, 2 in. MNPT | Not Included | 1.25 in. FNPT | 1 in. FNPT | 18 ft. (5.5m) | 1 in. MNPT | UL Listed | 1 in. FNPT Inlet | Automatic Shut-off, Diesel | Lockable | |