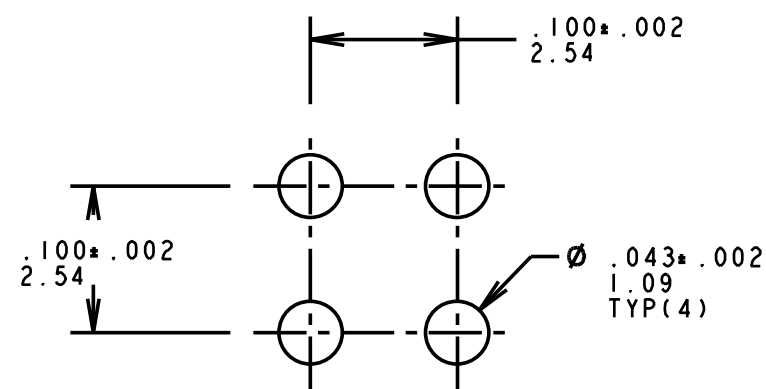
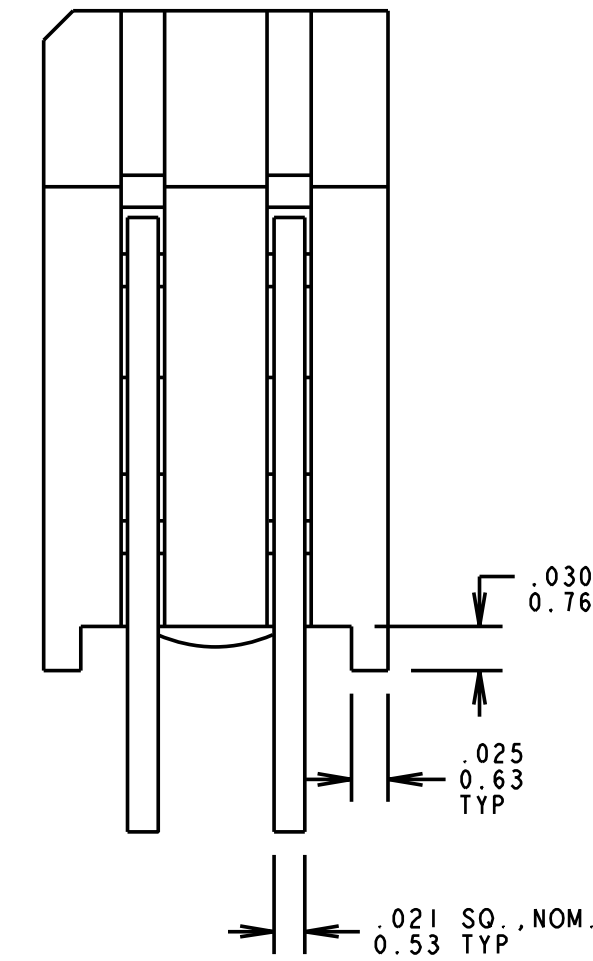
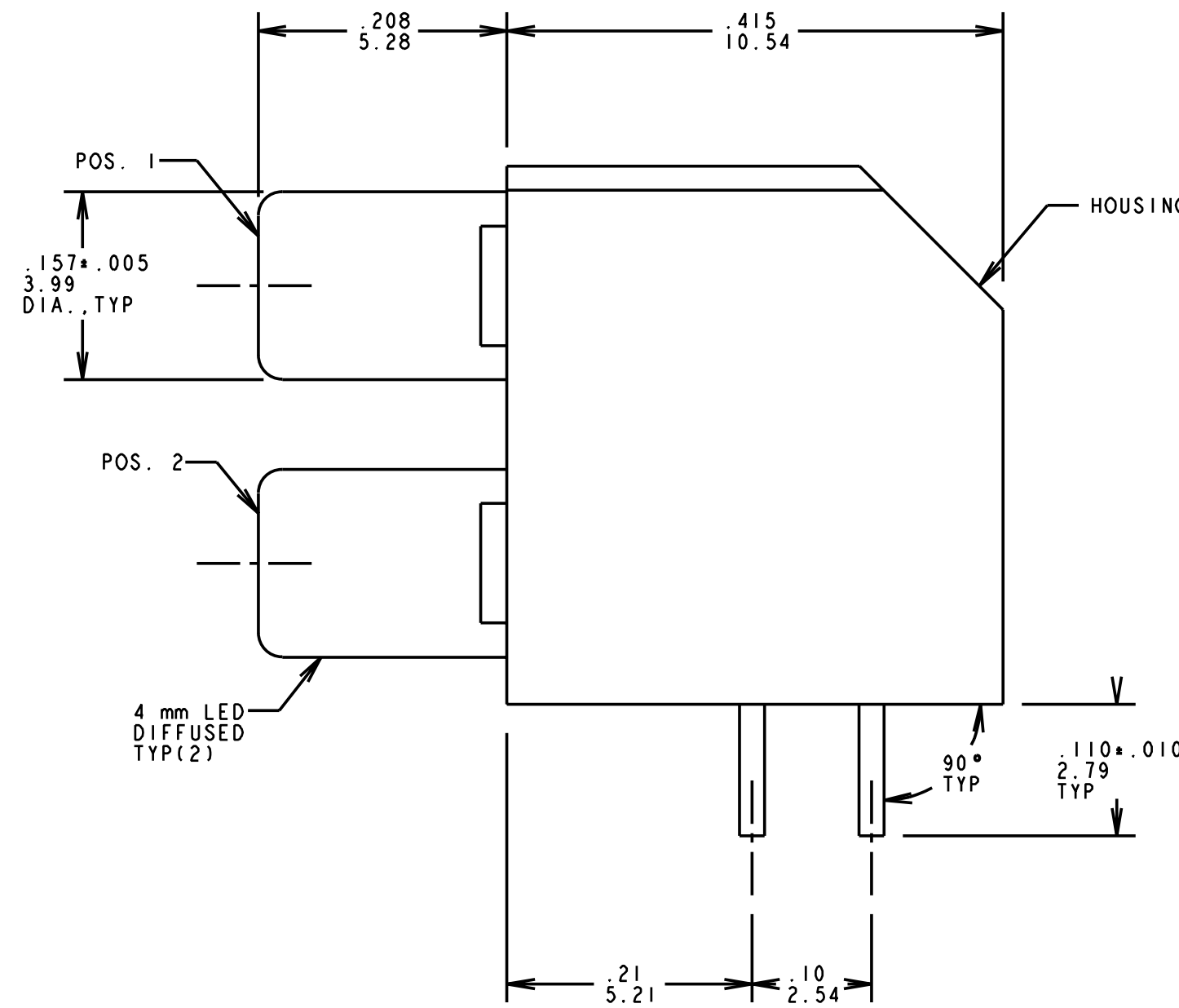
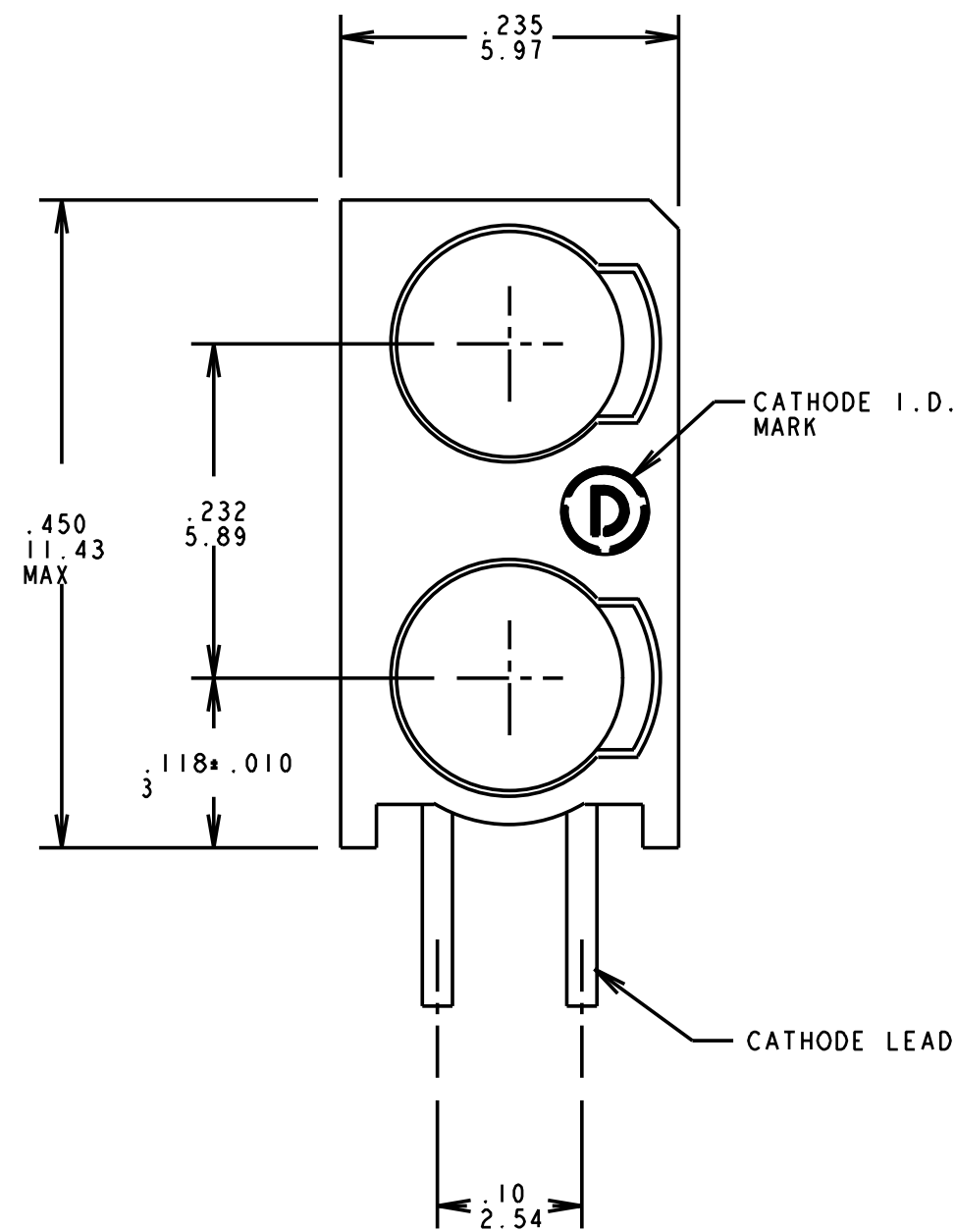


| PART NUMBER | LED COLOR(DIFFUSED) | |
|--------------|---------------------|------------|
| | POSITION 1 | POSITION 2 |
| 552-6011-200 | RED | RED |
| 552-6022-200 | GREEN | GREEN |
| 552-6023-200 | GREEN | YELLOW |
| 552-6030-200 | YELLOW | BLANK |
| 552-6032-200 | YELLOW | GREEN |
| 552-6033-200 | YELLOW | YELLOW |
| 552-6020-200 | GREEN | BLANK |

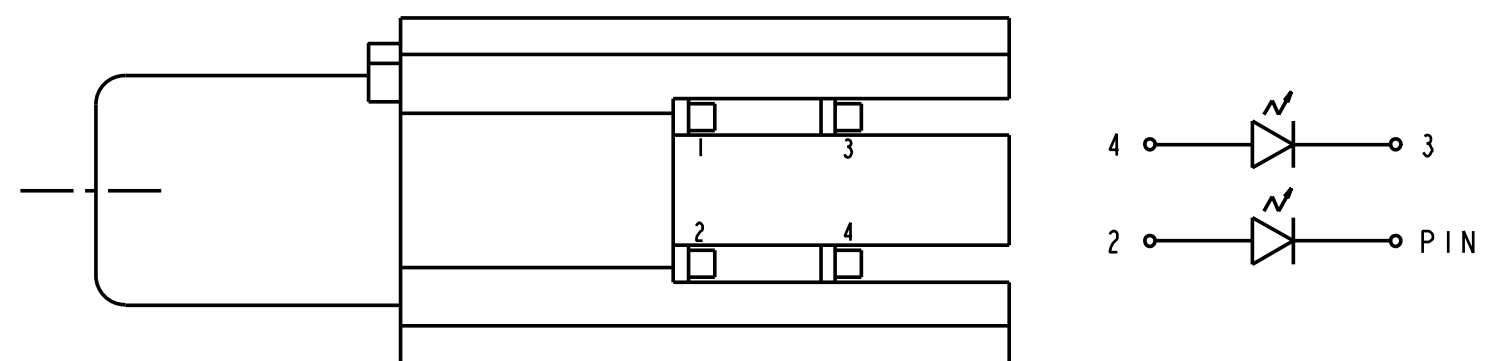
LED ELECTRO-OPTICAL CHARACTERISTICS

| PARAMETER | RED | YELLOW | GREEN | UNITS | TEST COND. | SPECS |
|--|----------------------|--------|---------------|-------|-------------------------|--|
| POWER DISSIPATION | 100 | 60 | 100 | mW | N/A | ABSOLUTE MAXIMUM RATINGS AT T _A = 25° C |
| OPERATING TEMPERATURE | -55° TO +100° | | -55° TO +100° | °C | | |
| STORAGE TEMPERATURE | -55° TO +100° | | | °C | | |
| LEAD SOLDERING TEMP. (1/16" FROM CASE) | 260° C FOR 5 SECONDS | | | °C | | |
| FORWARD VOLTAGE | TYP 2.0 | 2.1 | 2.1 | V | I _F = 20 mA | OPERATING CHAR. AT T _A = 25° C |
| REVERSE VOLTAGE | MAX 2.8 | 2.8 | 2.8 | V | I _R = 100 uA | |
| PEAK WAVELENGTH | 630 | 585 | 565 | nm | MEAS. AT PEAK | |
| LUMINOUS INTENSITY | MIN 2.5 | 5.6 | 8.7 | mc d | I _F = 20 mA | |

| REV. | ECN NO. | REVISIONS | DRN. | CKD. | APP. | DATE |
|------|---------|--|------|------|------|----------|
| A | | NEW RELEASE | JMC | | N.O. | 3-29-94 |
| B | | REVISED LED SPECS; ADD NOTE 4 | TC | D.C. | N.O. | 1-20-99 |
| C | | ADDED P/N 552-6030-200 AND TITLE NAME. | TC | D.C. | N.O. | 10-26-99 |
| D | | ADDED P/N 552-6020-200 TO DRAWING. | DC | | | |



RECOMMENDED PC BOARD HOLE PATTERN



- NOTES:
- DIMENSIONS ARE IN INCHES/MILLIMETERS.
 - LEADS TO FIT INTO HOLES SPACED AS PER PATTERN.
 - PIN NUMBERS FOR REFERENCE ONLY, DESIGNATION NON-EXISTANT ON PART.
 - DIALIGHT PART NUMBER: 552-6011-200 552-6020-200 552-6022-200
552-6023-200 552-6030-200 552-6032-200
552-6033-200

| | | |
|---|--------------------------------|---|
| THIS DRAWING AND THE CONTENTS HEREIN ARE CONFIDENTIAL AND THE SOLE PROPERTY OF DIALIGHT. REPRODUCTION OF THIS DRAWING OR CONSTRUCTION OF ANY PARTS WITHIN THIS DRAWING ARE FORBIDDEN WITHOUT THE WRITTEN CONSENT OF DIALIGHT. | | |
| SCALE 8:1 | DRAWING NUMBER | REV |
| ALL DIM'S IN: INCHES | C-15868 | D |
| TOLERANCES: UNLESS OTHERWISE SPECIFIED | TITLE | |
| FRACTIONS: ±1/64 | 4mm FLAT TOP LED CBI, BI-LEVEL | |
| DECIMALS (.XX): ±.020 | MATERIAL | |
| DECIMALS (.XXX): ±.015 | | |
| ANGLES: ±3° | | |
| FINISH: | | |
| FSCM 83330 | Dialight | 1913 ATLANTIC AVE. MANASQUAN, N.J. 08736 |
| | SHEET OF | FAMILY TABLES: |