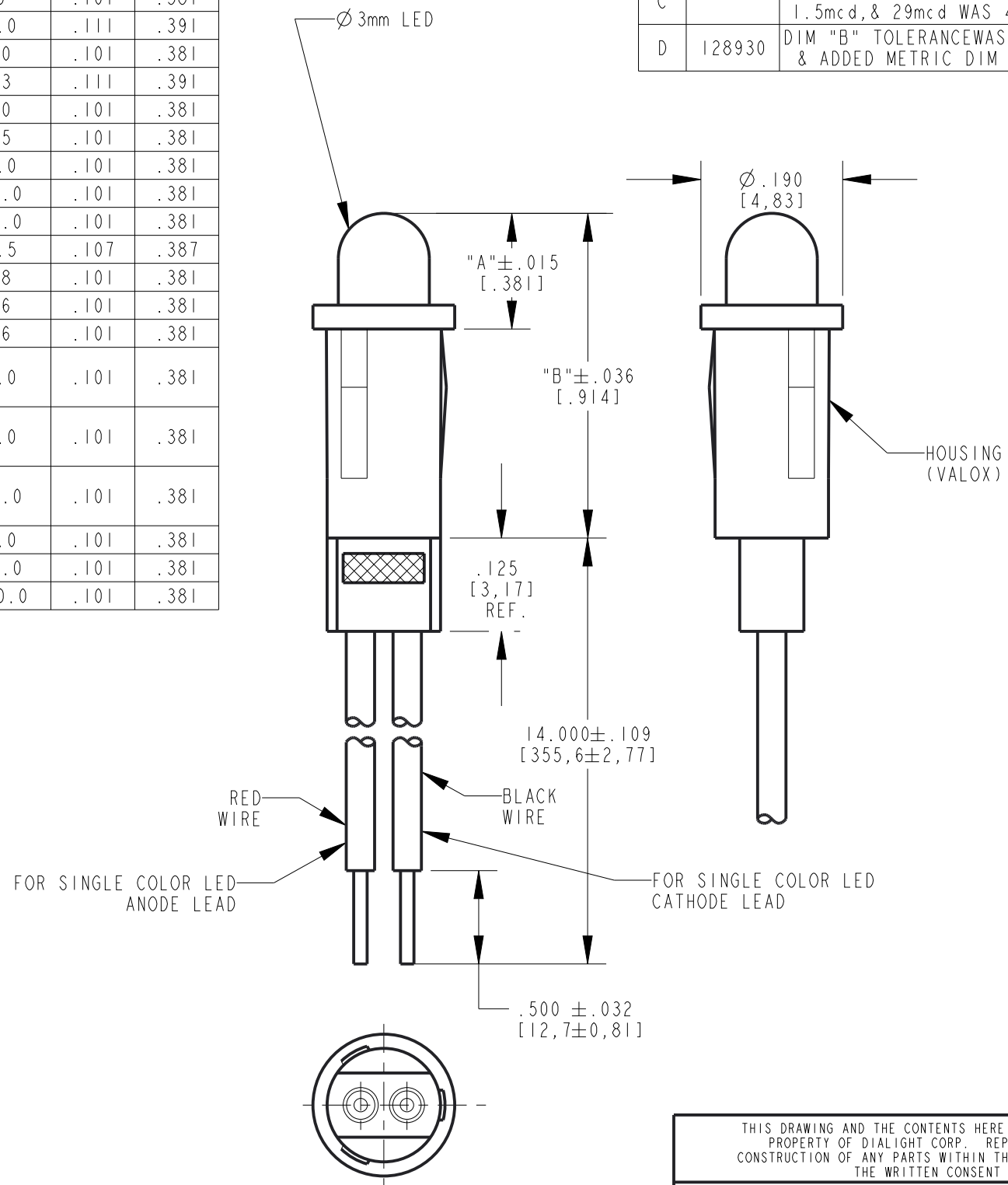


DIALIGHT PART NUMBER	V _f (V)		I _f (mA)		LED COLOR	LED EPOXY COLOR	LED CHIP	PEAK WAVELENGTH (nm)	LUMINOUS INTENSITY I _v (mcd)		DIM "A"	DIM "B"
	TYP	MAX	TYP	MAX					MIN	TYP		
	558-0101-007F	2.0	3.0	10*					20	RED		
558-0102-007F	5.0		10	15	RED	RED DIFF.	GaAsP/GaP	635	8.7	29	.101	.381
558-0201-007F	2.1	3.0	10*	25	GREEN	GREEN DIFF.	GaP	563	5.6	16.0	.111	.391
558-0202-007F	5.0		10	15	GREEN	GREEN DIFF.	GaP	565	2.0	8.0	.101	.381
558-0301-007F	2.1	3.0	10*	20	YELLOW	YELLOW DIFF.	GaAsP/GaP	585	2.2	6.3	.111	.391
558-0302-007F	5.0		10	15	YELLOW	YELLOW DIFF.	GaAsP/GaP	585	2.0	8.0	.101	.381
558-0401-007F	1.5	2.2	10*	25	ORANGE	ORANGE DIFF.	GaAsP/GaP	600	3.0	6.5	.101	.381
558-0501-007F	2.1	2.8	20*	40	GREEN	WATER CLEAR	GaP	565	19.0	70.0	.101	.381
558-0601-007F	1.9	2.4	20*	50	YELLOW	WATER CLEAR	AlInGaP	594	35.0	200.0	.101	.381
558-0701-007F	1.8	2.4	20*	40	RED	WATER CLEAR	AlGaAs	660	60.0	170.0	.101	.381
558-0803-007F	3.5	4.2	10*	20	BLUE	WHITE DIFF.	GaN (BLUE)	428	7.1	12.5	.107	.387
558-1101-007F	1.7	2.2	2**	7	RED	RED DIFF.	GaAsP/GaP	635	1.0	1.8	.101	.381
558-1201-007F	1.8	2.7	2**	7	YELLOW	YELLOW DIFF.	GaAsP/GaP	585	1.0	1.6	.101	.381
558-1301-007F	1.9	2.2	2**	7	GREEN	GREEN DIFF.	GaP	565	1.0	1.6	.101	.381
558-1501-007F	2.1	2.8	10*	30	GREEN	GREEN TINTED NON-DIFFUSED	GaP	565	19.0	70.0	.101	.381
558-1601-007F	2.1	2.8	10*	20	YELLOW	YELLOW TINTED NON-DIFFUSED	GaAsP/GaP	585	5.6	19.0	.101	.381
558-1701-007F	1.8	2.4	20*	40	RED	RED TINTED NON-DIFFUSED	AlGaAs	660	40.0	135.0	.101	.381
558-1801-007F	1.8	2.4	20*	40	RED	RED DIFF.	AlGaAs	660	19.0	60.0	.101	.381
558-6003-007F	3.5	4.0	20*	30	BLUE	WATER CLEAR	GaN (BLUE)	470	110.0	210.0	.101	.381
558-6403-007F	3.6	4.0	20*	30	WHITE	WATER CLEAR	GaN (WHITE)	SEE X,Y COOR.	1150.0	2150.0	.101	.381

X,Y COLOR COORDINATES		
PART NUMBER	X	Y
558-6403-007F	.31	.31

REV	ECN NO	REVISIONS	DRN	APP	DATE
A		NEW RELEASE	TWC	HL	3-31-06
B		ADDED DIM "A" & "B" ADDED DUAL DIMENSIONS	AJF	CJC	2-10-10
C		P/N: 558-0102-007F; 8.7mcd WAS 1.5mcd, & 29mcd WAS 4.0mcd.	JGL	SK	4/08/2022
D	128930	DIM "B" TOLERANCE WAS ±.020 & ADDED METRIC DIM ON TOL	PL		3-25-25



RoHS Compliant 558-XXXX-007F Panel Mount Indicator

Part Numbers with the "F" suffix ending are RoHS Compliant.
 Example: 558-0401-007F
 Packaging is marked with "RoHS Compliant" label or equivalent markings.

NOTES:

- * REQUIRES EXTERNAL RESISTOR.
 ** REQUIRES EXTERNAL RESISTOR, MAX. FORWARD D.C. CURRENT 7 mA.
- LEAD WIRES: AWG #26 PRE-TINNED, STRANDED.
- RECOMMENDED MOUNTING HOLE: .155/.158 DIA. ON PANELS
 .031 THRU .062 THICK.
- THIS ASSEMBLY CONTAINS ELECTROSTATIC DISCHARGE SENSITIVE DEVICES (ESDS). MAINTAIN ALL PRECAUTIONARY MEASURES DURING ASSEMBLY, HANDLING AND STORAGE IN ACCORDANCE WITH IPC-A-610.
- DIALIGHT PART NUMBERS: 558-XXXX-007F.



ATTENTION:
 OBSERVE PRECAUTIONS FOR
 HANDLING ELECTROSTATIC
 SENSITIVE DEVICES

THIS DRAWING AND THE CONTENTS HEREIN ARE CONFIDENTIAL AND THE SOLE PROPERTY OF DIALIGHT CORP. REPRODUCTION OF THIS DRAWING OR CONSTRUCTION OF ANY PARTS WITHIN THIS DRAWING ARE FORBIDDEN WITHOUT THE WRITTEN CONSENT OF DIALIGHT CORP.

SCALE: DRAWING SCALE	DRAWING NUMBER	REV
ALL DIM'S: INCH (mm)	C-17393	D
TOLERANCES: UNLESS OTHERWISE SPECIFIED	TITLE .156" MOUNTING HOLE, SNAP-IN PMI, RoHS COMPLIANT	
FRACTIONS: $\pm 1/64$ DECIMALS (.XX): $\pm .02$ DECIMALS (.XXX): $\pm .015$	MATERIAL	
ANGLES: $\pm 1^\circ$ FINISH		
FSCM 83330	SHEET 1 OF 1	FAMILY TABLE:

1501 ROUTE 34 SOUTH
 FARMINGDALE, NJ 07727
 (732) 919-3119
 www.dialight.com