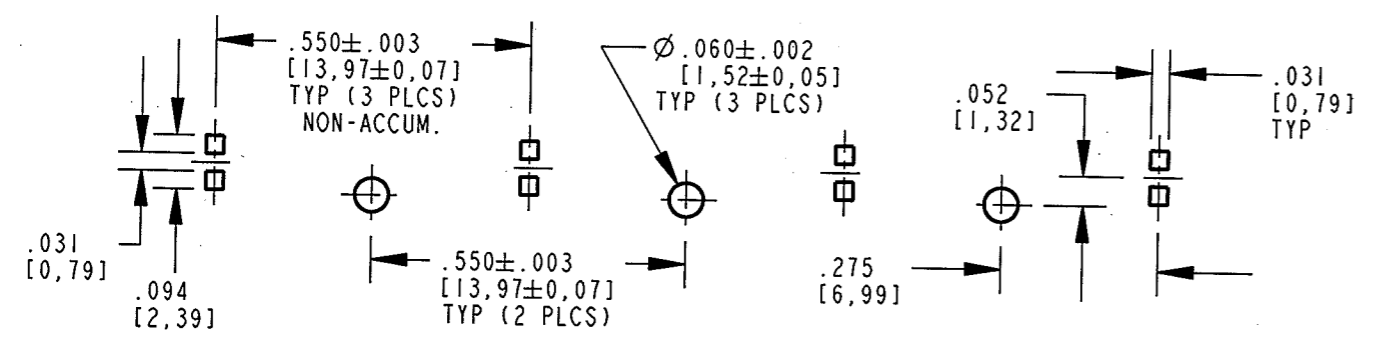
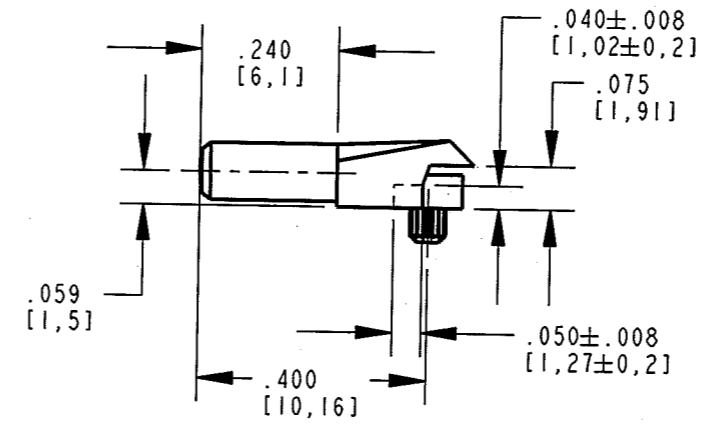
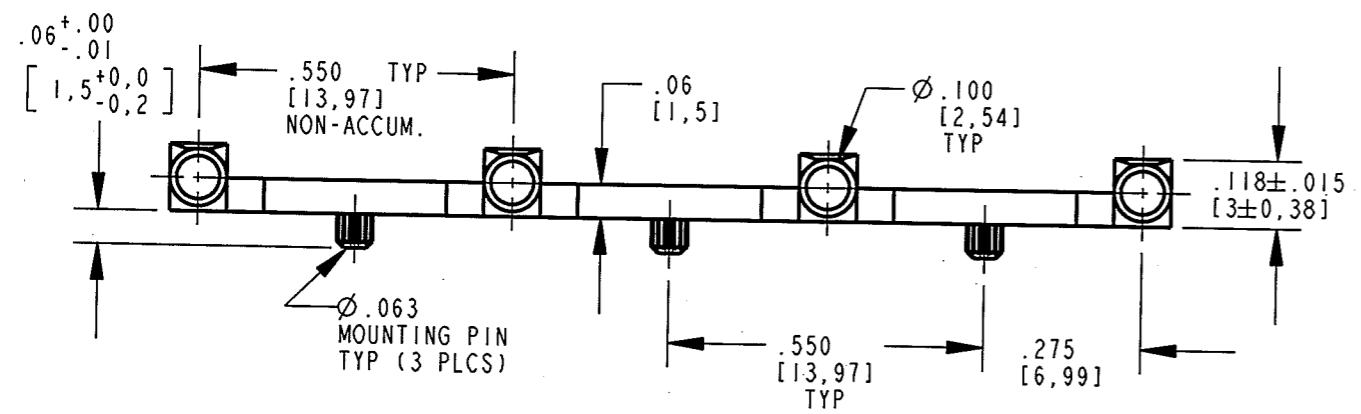
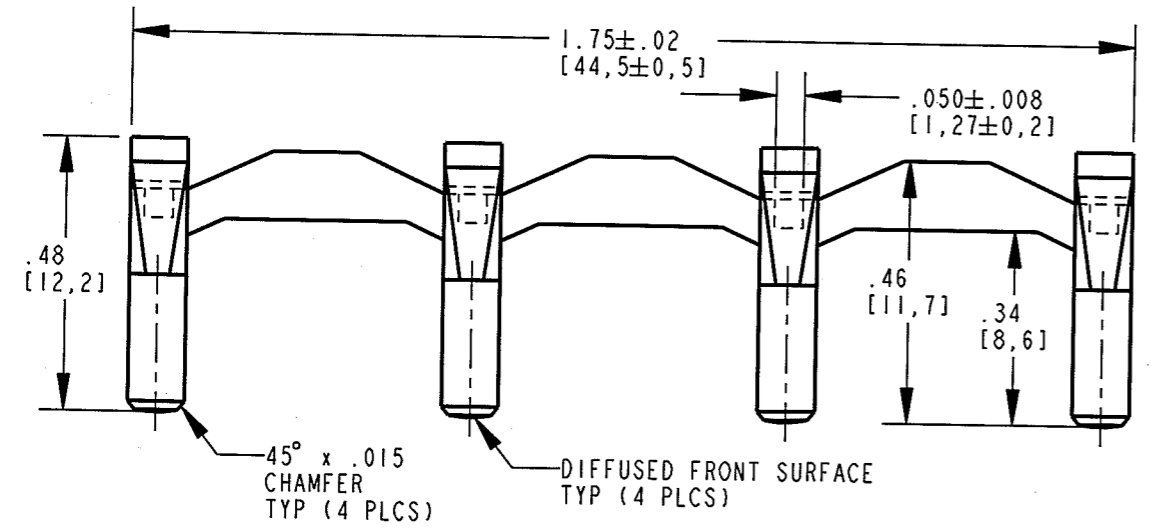
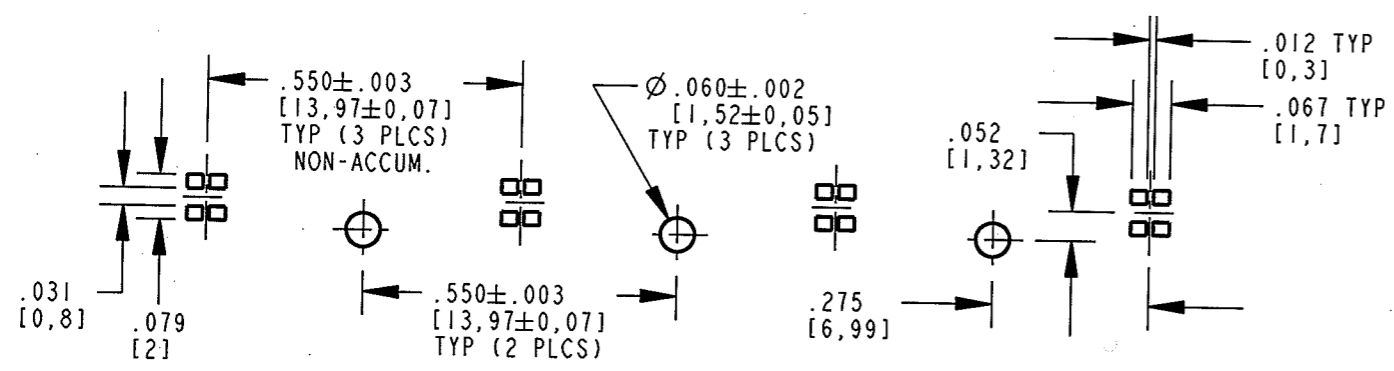


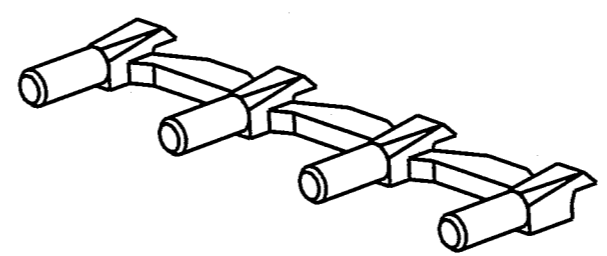
REV	ECN NO	REVISIONS	DRN	CKD	APP	DATE
A		NEW RELEASE	KLJ	M.B.	1/14/09	



RECOMMENDED HOLE AND SOLDER PAD LAYOUT FOR SINGLE COLOR 0603 LEDs
(DIALIGHT LED P/N'S 597-5XXX-407F, 598-80XX-107F)



RECOMMENDED HOLE AND SOLDER PAD LAYOUT FOR MULTI-COLOR 0606 LEDs
(DIALIGHT BI-COLOR LED P/N'S 598-84XX-207F; TRI-COLOR LED P/N'S 598-87XX-307F)



SCALE 2.000

NOTES:

1. COMPONENTS MOLDED IN A CLEAR TRANSMISSIVE POLYCARBONATE (UL 94V-0 FLAMMABILITY).
2. COMPONENTS DESIGNED TO BE PRESSED INTO PC BOARD.
3. STORAGE AND OPERATING TEMPERATURE: -30°C TO 100°C
4. DIALIGHT PART NUMBER: 515-1030F

THIS DRAWING AND THE CONTENTS HEREIN ARE CONFIDENTIAL AND THE SOLE PROPERTY OF DIALIGHT. REPRODUCTION OF THIS DRAWING OR CONSTRUCTION OF ANY PARTS WITHIN THIS DRAWING ARE FORBIDDEN WITHOUT THE WRITTEN CONSENT OF DIALIGHT.		
SCALE: 3.000	DRAWING NUMBER	REV
ALL DIM'S IN: INCHES (MM)	C-17696	A
TOLERANCES: UNLESS OTHERWISE SPECIFIED	TITLE 4 ELEMENT LIGHT PIPE RoHS COMPLIANT	
FRACTIONS: ±1/64	MATERIAL	
DECIMALS (.XX): ±.01	Dialight 1501 ROUTE 34 SOUTH FARMINGDALE, NJ 07727	
DECIMALS (.XXX): ±.005	FSCM 83330	
ANGLES: ±5°	SHEET 1 OF 1 FAMILY TABLE:	
FINISH:		

RoHS COMPLIANT 515-1030F
Part Numbers with the "F" suffix ending are RoHS Compliant. Packaging is marked with "RoHS Compliant" label or equivalent markings.