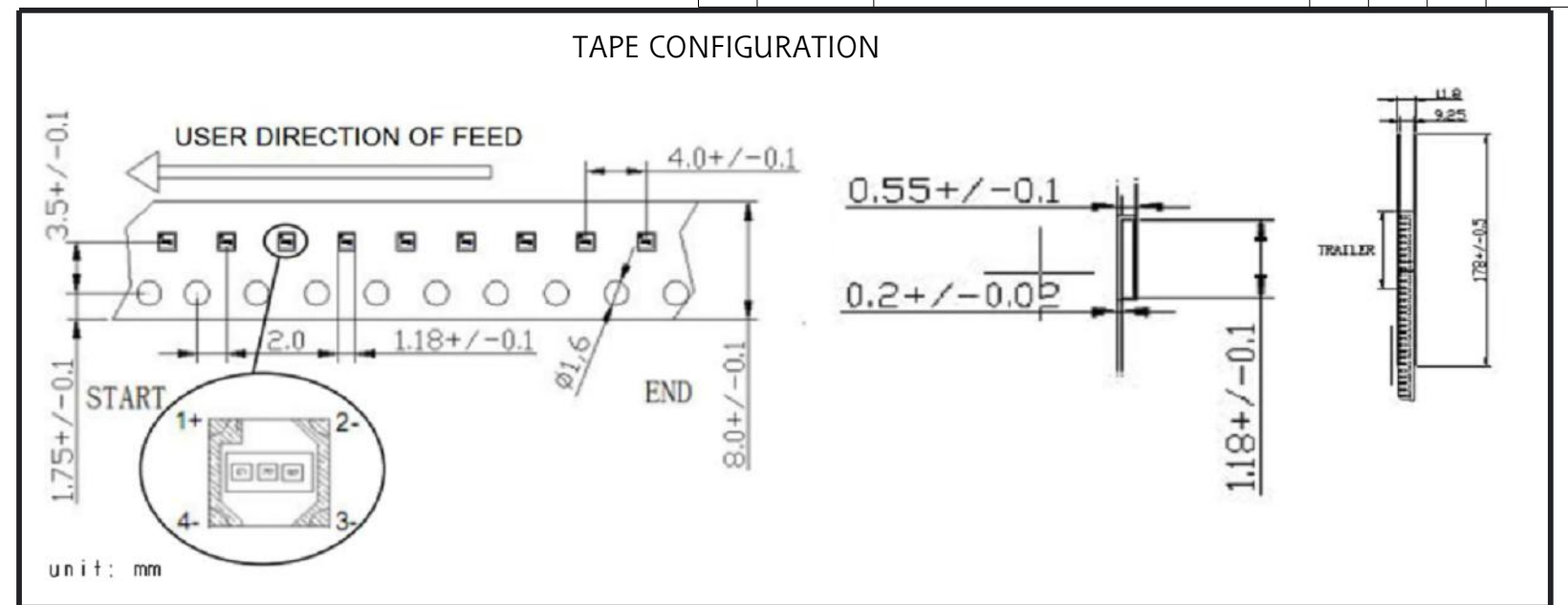
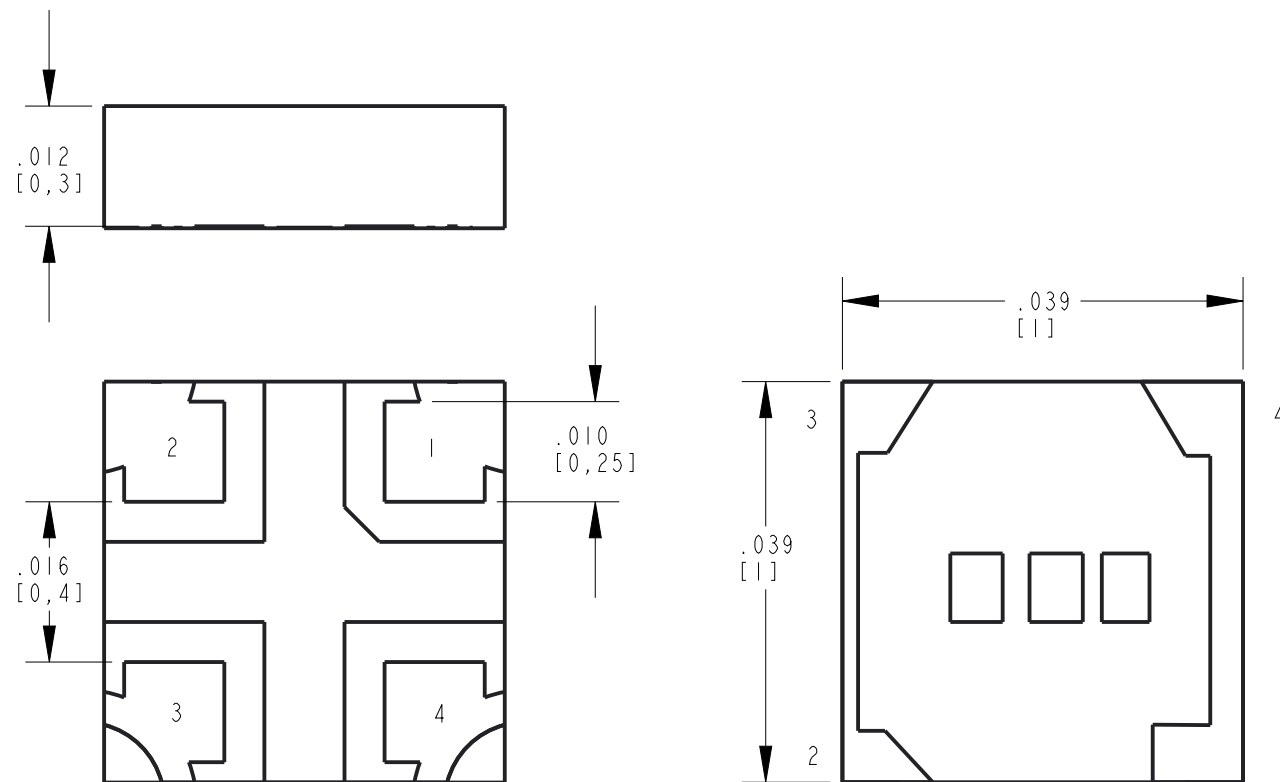
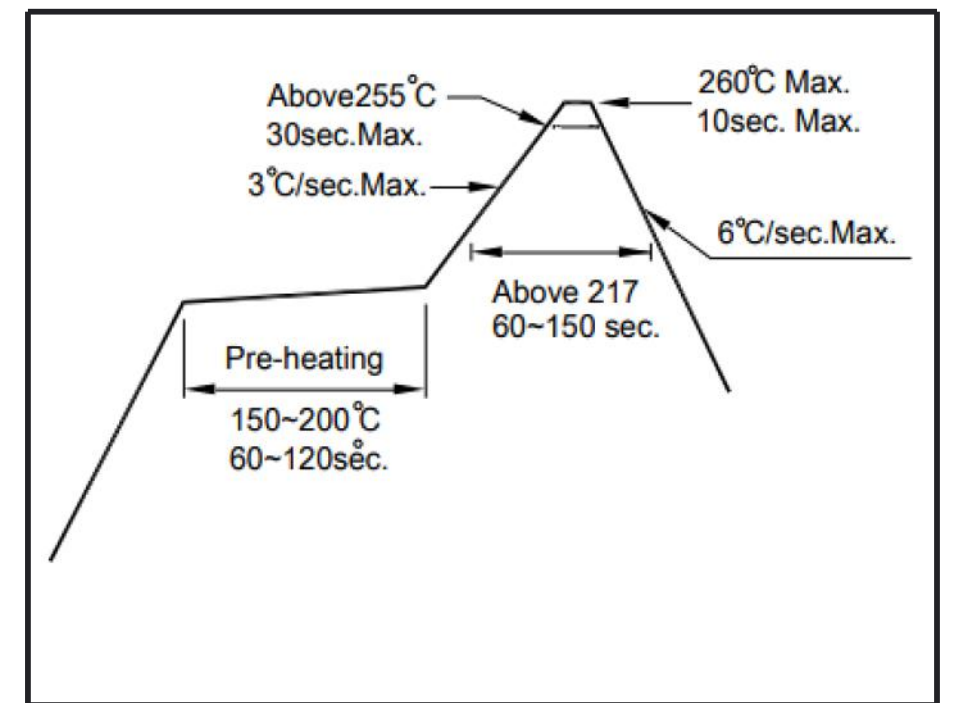
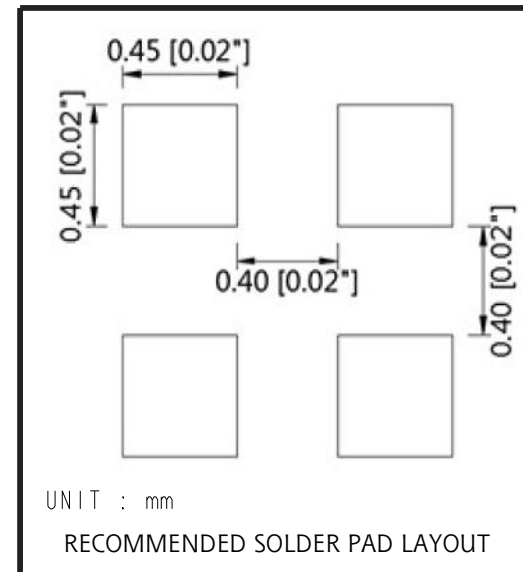


DIALIGHT PART NUMBER	COLOR	LED DIE	LED EPOXY COLOR
599-0A10-327F	RED	AlGaInP	WATER CLEAR
	GREEN	InGaN	
	BLUE		

REV	ECN NO	REVISIONS	DRN	CKD	APP	DATE
A	109511	NEW RELEASE	JSG	CS	NO	25JUL23
B	128835	REMOVED P/N 599-0A10-322F, UPDATED MODEL & UPDATED SPECS	LD	CS		3-24-25
C	135284	QTY PCS PER REEL WAS 3000	LD	CS		10-21-25



- NOTES:
- PIN NUMBERS ARE FOR REFERENCE ONLY, DESIGNATION NON-EXISTENT ON PART.
 - LABELING FOR REEL AND OUTSIDE OF ALUMINUM BAG, DIALIGHT P/N, QUANTITY PER REEL, DATE CODE, INTENSITY BIN CODE, LOT NUMBER AND COUNTRY OF ORIGIN.
 - THIS PRODUCT IS RoHS COMPLIANT. EACH BAG IS TO BE MARKED WITH RoHS COMPLIANT LABEL OR EQUIVALENT MARKINGS. LED MUST BE Pb FREE.
 - MOISTURE SENSITIVITY LEVEL 3.
 - QUANTITY : PART NUMBER END WITH 327F REFER AS 4000 PCS/ REEL

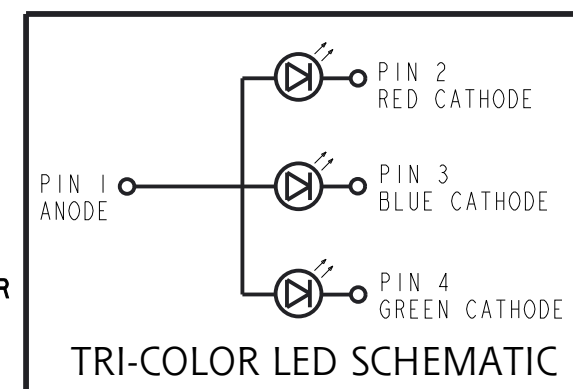


OPERATING CHARACTERISTICS AT 25°C AMBIENT												
COLOR	LUMINOUS INTENSITY			FORWARD VOLTAGE			REVERSE CURRENT		DOMINANT WAVELENGTH			VIEWING ANGLE
	I _F	MIN (mcd)	MAX (mcd)	I _F	MIN (V)	MAX (V)	V _R	MAX (μA)	I _F	MIN (nm)	MAX (nm)	TYP (DEG)
RED	5 mA	86	247	5 mA	1.7	2.1	5V	10	5 mA	615	625	120
GREEN		190	542		2.3	2.7				525	535	
BLUE		39	146		2.5	2.75				465	475	

ABSOLUTE MAXIMUM RATINGS AT 25°C AMBIENT	COLOR			UNITS
	RED	GREEN	BLUE	
POWER DISSIPATION	48	62	54	mW
FORWARD CURRENT	20	20	20	mA
PEAK FORWARD CURRENT (LESS THAN OR EQUAL TO 1/20 DUTY CYCLE, 1kHz)	80	100	100	mA
DERATE LINEARLY FROM 25°C	0.33			mA/°C
REVERSE VOLTAGE	5			V
STORAGE TEMPERATURE	-40 TO +85			°C
OPERATING TEMPERATURE	-40 TO +80			°C



ATTENTION:
OBSERVE PRECAUTIONS FOR
HANDLING ELECTROSTATIC
SENSITIVE DEVICES



THIS DRAWING AND THE CONTENTS HEREIN ARE CONFIDENTIAL AND THE SOLE PROPERTY OF DIALIGHT CORP. REPRODUCTION OF THIS DRAWING OR CONSTRUCTION OF ANY PARTS WITHIN THIS DRAWING ARE FORBIDDEN WITHOUT THE WRITTEN CONSENT OF DIALIGHT CORP.		
SCALE: 46.000	DRAWING NUMBER	REV
ALL DIM'S: INCH (mm)	C-18702	C
TOLERANCES: UNLESS OTHERWISE SPECIFIED	TITLE	
FRACTIONS: ±1/64	SM 0404 RGB	
DECIMALS (.XX): ±.01	MATERIAL	
DECIMALS (.XXX): ±.004		
DECIMALS (.XXXX): ±.0005		
ANGLES: ±1°		
FINISH		
FSCM 83330	 1501 ROUTE 34 SOUTH FARMINGDALE, NJ 07727 (732) 919-3119 www.dialight.com	
SHEET 1 OF 1	FAMILY TABLE:	