

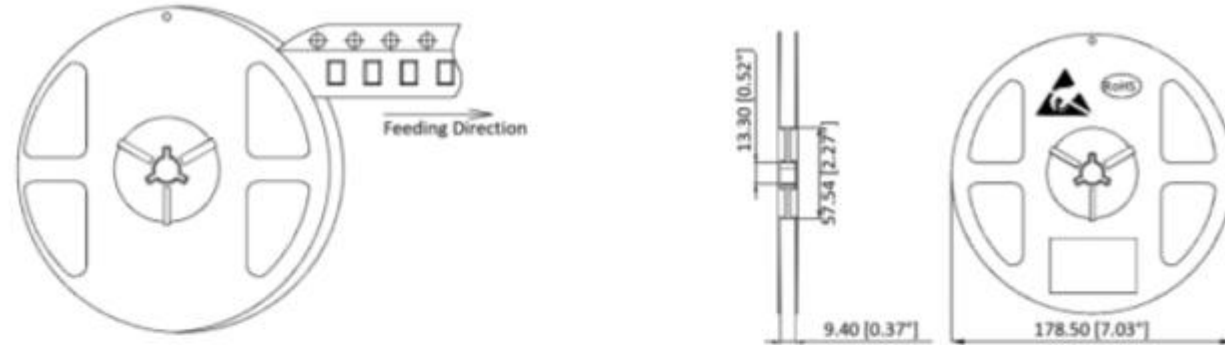
DIALIGHT PART NO.	LED COLOR	LENS COLOR
598-8590-227F	YELLOW/BLUE	WATER CLEAR

REV	ECN NO	REVISIONS	DRN	CKD	APP	DATE
A	110980	NEW RELEASE	JSG	NO	CS	17OCT23

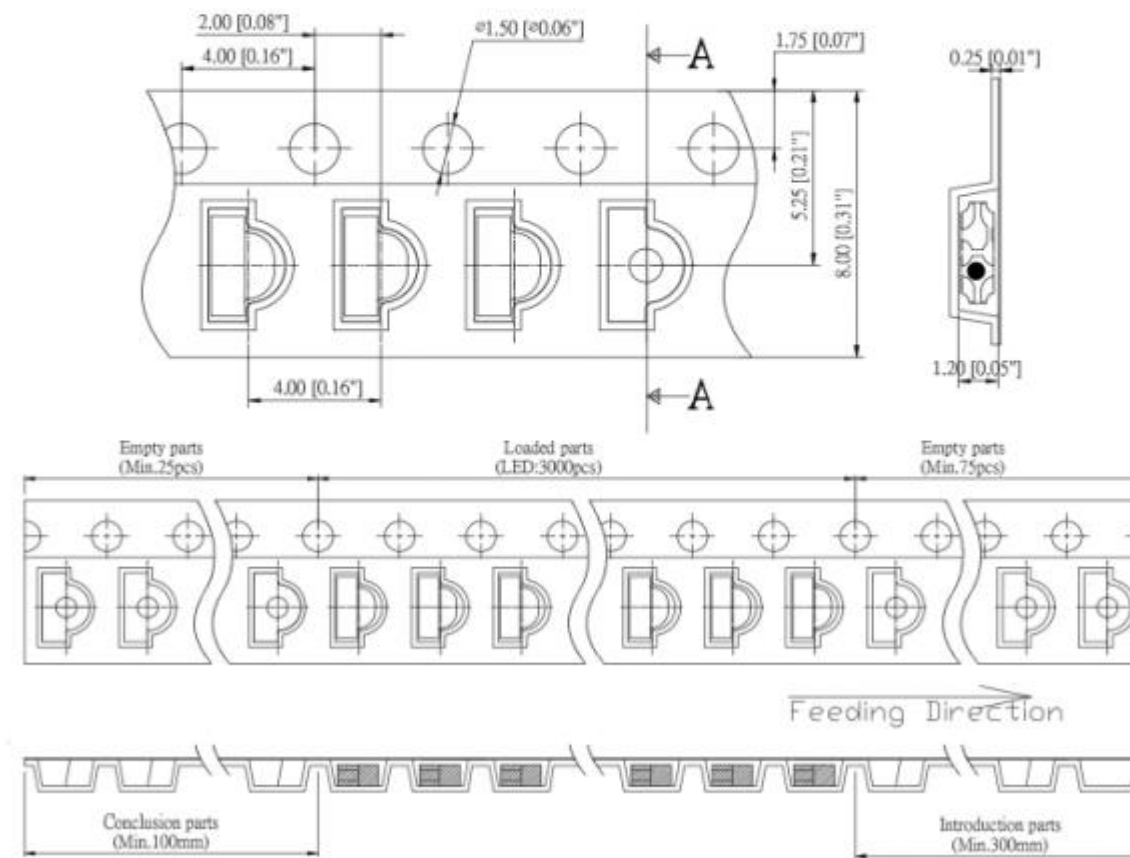
NOTES:

- PARTS ARE TO BE SUPPLIED IN 8mm CARRIER TAPE ON 7" REEL 3000 PCS PER REEL.
- CATHODE ORIENTATION AND CATHODE MARKING ON OPPOSITE SIDE OF SPROCKETS ON CARRIER TAPE.
- LABELING FOR REEL AND OUTSIDE OF ALUMINUM BAG, DIALIGHT P/N, QUANTITY PER REEL, DATE CODE, INTENSITY BIN CODE, LOT NUMBER AND COUNTRY OF ORIGIN.
- THIS PRODUCT IS ROHS COMPLIANT EACH BAG IS TO BE MARKED WITH ROHS COMPLIANT LABEL OR EQUIVALENT MARKINGS. LED MUST BE Pb FREE.
- MOISTURE SENSITIVITY LEVEL IS 3.

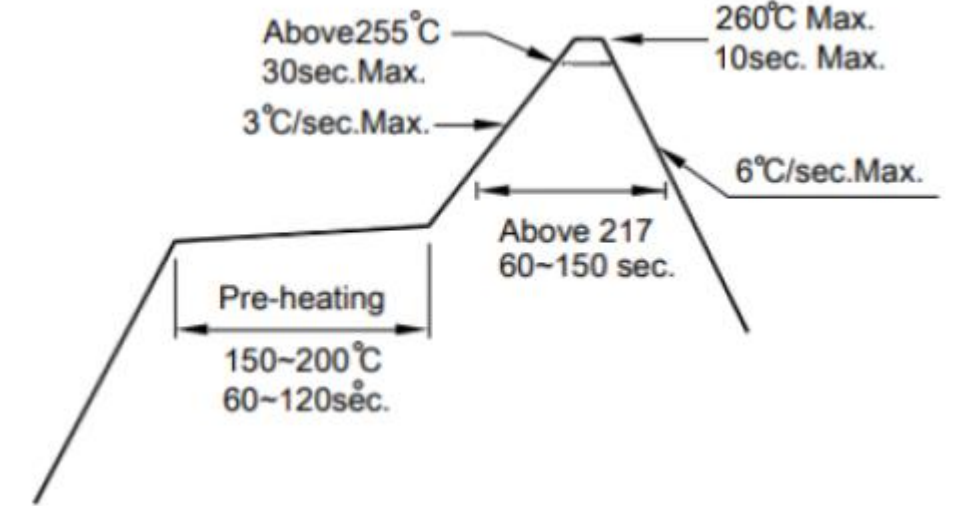
REEL SPECIFICATION



TAPE SPECIFICATION



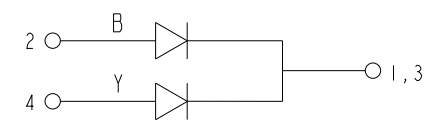
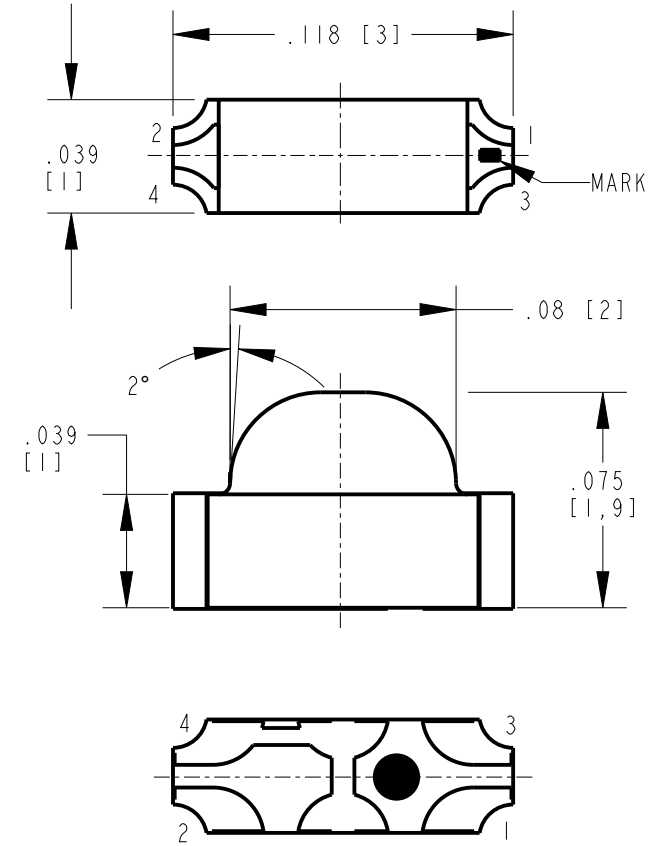
RECOMMENDED RoHS SOLDER PROFILE



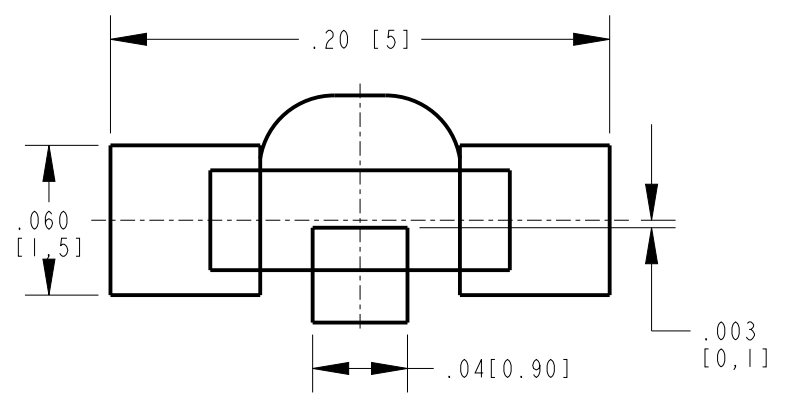
ABSOLUTE MAXIMUM RATINGS AT 25°C			
PARAMETER	MAXIMUM RATINGS		UNIT
	YELLOW	BLUE	
PEAK FORWARD CURRENT (1/8DUTY f=1kHz)	125		mA
POWER DISSIPATION	69	102	mW
CONTINUOUS FORWARD CURRENT	30		mA
REVERSE VOLTAGE	5		V
DERATING CURVE FROM 25°C	0.333		mA/°C
OPERATING TEMPERATURE RANGE	-40°C TO +85°C		
STORAGE TEMPERATURE RANGE	-40°C TO +85°C		



ATTENTION:
OBSERVE PRECAUTIONS FOR
HANDLING ELECTROSTATIC
SENSITIVE DEVICES



LED SCHEMATIC



RECOMMEND PAD LAYOUT

OPERATING CHARACTERISTICS AT 25°C AMBIENT											
LED COLOR	TEST CONDITION	LUMINOUS INTENSITY (mcd)		FORWARD VOLTAGE (V)		REVERSE CURRENT (µA)	DOMINANT WAVELENGTH (nm)		PEAK WAVELENGTH (nm)	VIEWING ANGLE (DEG)	
		TYP	MIN	MAX	MIN	MAX	MAX	MIN	MAX	TYP	TYP
Y/B	YELLOW	5mA	86	247	1.7	2.3	10 @ VR=5V	585	595	593	120 @ 10mA
	BLUE	5mA	66	190	2.5	3.4		465	475	466	

THIS DRAWING AND THE CONTENTS HEREIN ARE CONFIDENTIAL AND THE SOLE PROPERTY OF DIALIGHT CORP. REPRODUCTION OF THIS DRAWING OR CONSTRUCTION OF ANY PARTS WITHIN THIS DRAWING ARE FORBIDDEN WITHOUT THE WRITTEN CONSENT OF DIALIGHT CORP.

DIALIGHT CORP. INTERNAL REFERENCE ONLY = 3D MODEL : 4500521870929-.2

SCALE: 24.000	DRAWING NUMBER	REV
ALL DIM's: INCH (mm)	C-18717	A
TOLERANCES: UNLESS OTHERWISE SPECIFIED	TITLE	
FRACTIONS: ±1/64	1208 RA SM LED YELLOW/BLUE 5mA	
DECIMALS (.XX): ±.01	MATERIAL	
DECIMALS (.XXX): ±.005		
DECIMALS (.XXXX): ±.0005		
ANGLES: ±1°		
FINISH		
FSCM 83330	Dialight	1501 ROUTE 34 SOUTH FARMINGDALE, NJ 07727 (732) 919-3119 www.dialight.com
	SHEET 1 OF 1	FAMILY TABLE: