

DIALIGHT PART NO	LED COLOR	LENS COLOR
598-9500-227F	GREEN/WHITE	YELLOW

REV	ECN NO	REVISIONS	DRN	CKD	APP	DATE
A	110980	NEW RELEASE	JSG	NO	CS	17OCT23

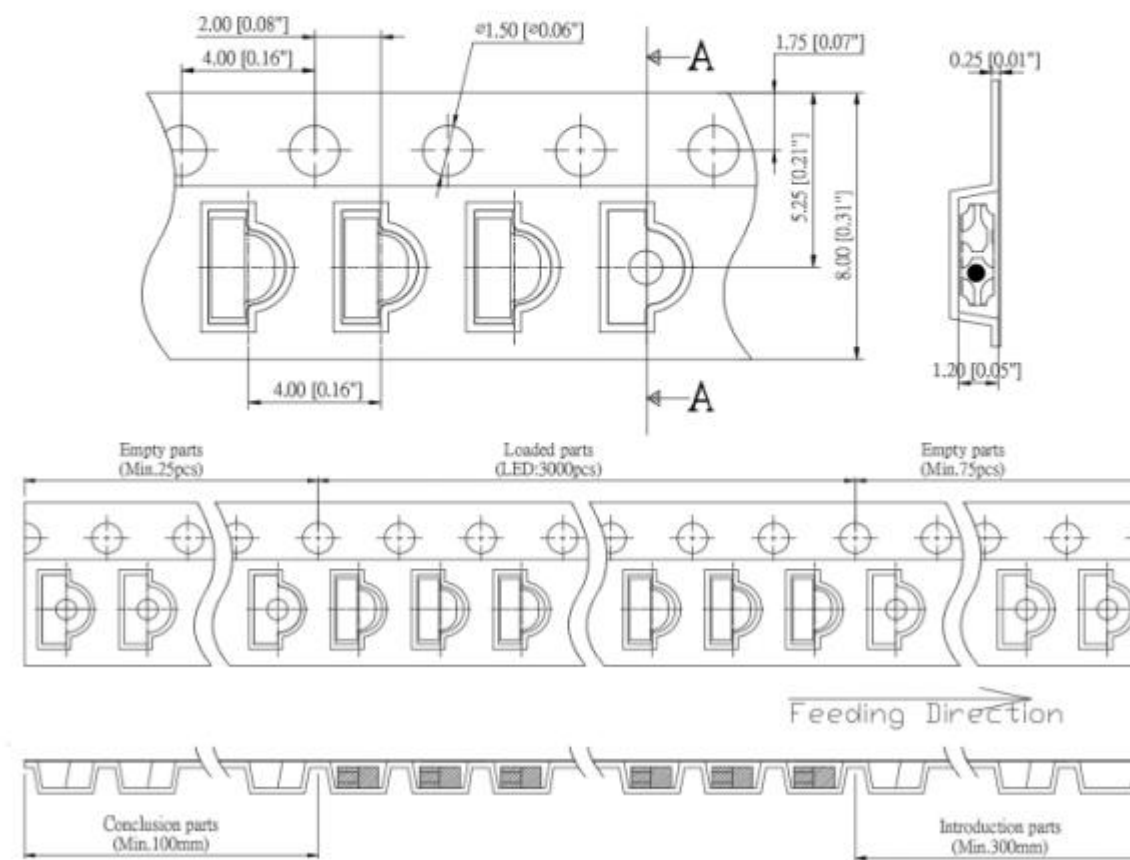
**NOTES:**

- PARTS ARE TO BE SUPPLIED IN 8mm CARRIER TAPE ON 7" REEL 3000 PCS PER REEL.
- CATHODE ORIENTATION AND CATHODE MARKING ON OPPOSITE SIDE OF SPROCKETS ON CARRIER TAPE.
- LABELING FOR REEL AND OUTSIDE OF ALUMINUM BAG, DIALIGHT P/N, QUANTITY PER REEL, DATE CODE, INTENSITY BIN CODE, LOT NUMBER AND COUNTRY OF ORIGIN.
- THIS PRODUCT IS ROHS COMPLIANT EACH BAG IS TO BE MARKED WITH ROHS COMPLIANT LABEL OR EQUIVALENT MARKINGS. LED MUST BE Pb FREE.
- MOISTURE SENSITIVITY LEVEL IS 3.

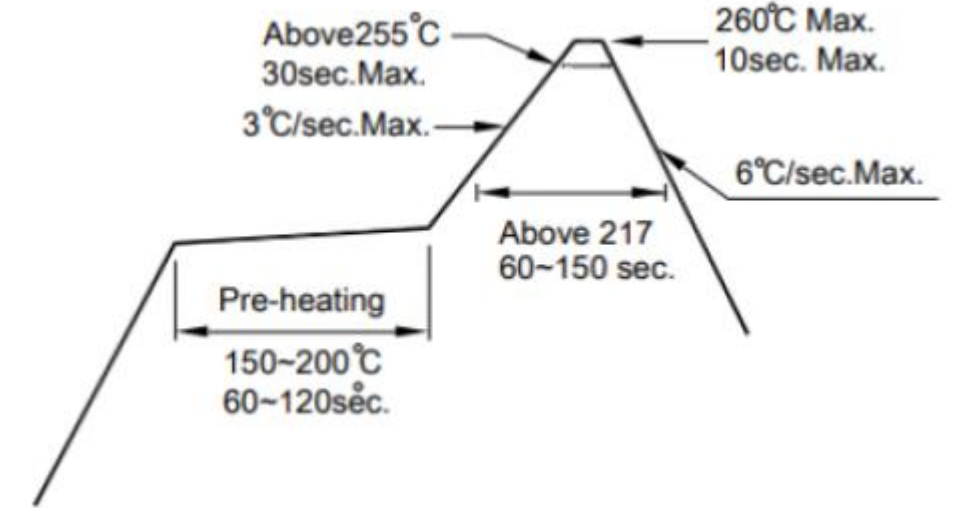
**REEL SPECIFICATION**



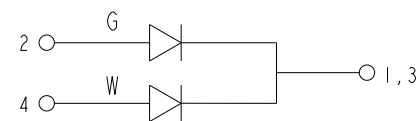
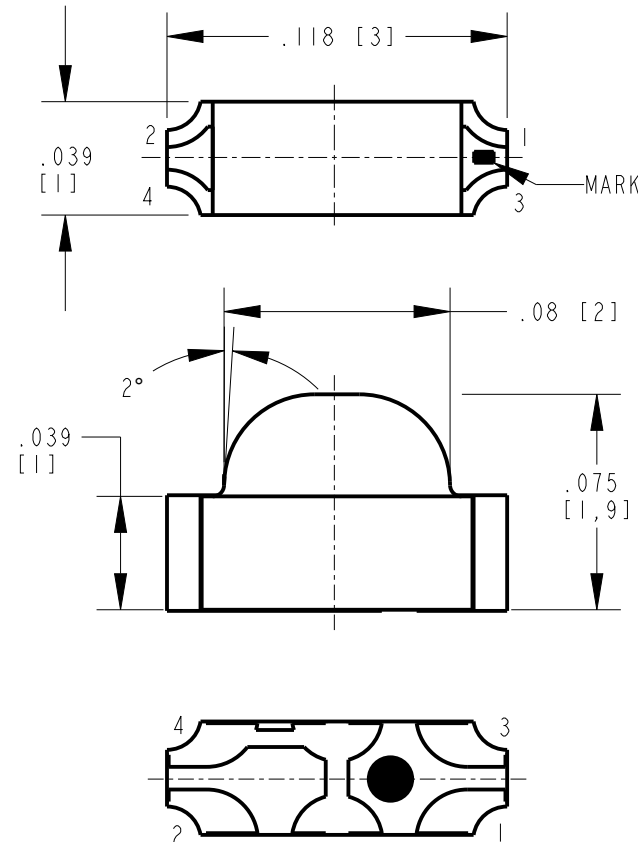
**TAPE SPECIFICATION**



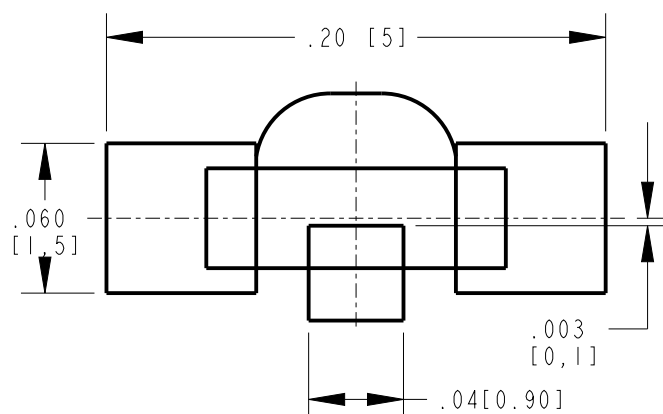
**RECOMMENDED RoHS SOLDER PROFILE**



ABSOLUTE MAXIMUM RATINGS AT 25°C			
PARAMETER	MAXIMUM RATINGS		UNIT
	GREEN	WHITE	
PEAK FORWARD CURRENT (1/8DUTY f=1kHz)	125	125	mA
POWER DISSIPATION	108	108	mW
CONTINUOUS FORWARD CURRENT	30	30	mA
REVERSE VOLTAGE	5	5	V
DERATING CURVE FROM 25°C	0.333		mA/°C
OPERATING TEMPERATURE RANGE	-40°C TO +85°C		
STORAGE TEMPERATURE RANGE	-40°C TO +85°C		



**LED SCHEMATIC**



**RECOMMEND PAD LAYOUT**

OPERATING CHARACTERISTICS AT 25°C AMBIENT													
LED COLOR	TEST CONDITION	LUMINOUS INTENSITY (mcd)		FORWARD VOLTAGE (V)		REVERSE CURRENT (μA)	DOMINANT WAVELENGTH (nm)		CIE COORDINATES		PEAK WAVELENGTH (nm)	VIEWING ANGLE (DEG)	
		TYP	MIN	MAX	MIN	MAX	MAX	MIN	MAX	MIN	MAX	TYP	TYP
G/W	GREEN	5mA	51	146	2.5	3.1	10 @ VR=5V	525	535	-	-	520	120
	WHITE	5mA	51	146	2.5	3.1	-	-	X=.261 Y=.240	X=.299 Y=.305	-		



**ATTENTION:**  
OBSERVE PRECAUTIONS FOR  
HANDLING ELECTROSTATIC  
SENSITIVE DEVICES

THIS DRAWING AND THE CONTENTS HEREIN ARE CONFIDENTIAL AND THE SOLE PROPERTY OF DIALIGHT CORP. REPRODUCTION OF THIS DRAWING OR CONSTRUCTION OF ANY PARTS WITHIN THIS DRAWING ARE FORBIDDEN WITHOUT THE WRITTEN CONSENT OF DIALIGHT CORP.		
DIALIGHT CORP. INTERNAL REFERENCE ONLY = 3D MODEL : 4500521870929- .2		
SCALE: 24.000	DRAWING NUMBER	REV
ALL DIM's: INCH (mm)	C-18718	A
TOLERANCES: UNLESS OTHERWISE SPECIFIED	TITLE	
FRACTIONS: ±1/64	1208 RA SM LED GREEN/WHITE 5mA	
DECIMALS (.XX): ±.01	MATERIAL	
DECIMALS (.XXX): ±.005	-	
DECIMALS (.XXXX): ±.0005	-	
ANGLES: ±1°	-	
FINISH	-	
FSCM 83330	Dialight	
	1501 ROUTE 34 SOUTH FARMINGDALE, NJ 07727 (732) 919-3119 www.dialight.com	
SHEET 1 OF 1	FAMILY TABLE:	