



## 675 SERIES 5mm High Intensity Panel Mount Indicators

### MECHANICAL / SPECIFICATIONS

MOUNTING HOLE SIZE:  
0.205" (5.2 mm)

MAX PANEL THICKNESS:  
0.138" (3.5 mm)

MOUNTING TORQUE:  
0.362 lbs/ft (5 kg/cm)

VOLTAGE OPTIONS:  
2 (red, orange) and 3.3 (green, blue, white) VDC  
(resistor required on both voltages)

OPERATING TEMP:  
-30 °C to +85 °C (-22 °F to +185 °F)

STORAGE TEMP:  
-40 °C to +100 °C (-40 °F to +212 °F)

ELECTRICAL CONNECTION:  
Through hole leads

HOUSING:  
Brass—Chrome plated

TERMINALS:  
Copper—Nickel Plated

LOCK WASHER:  
Iron—Nickel Plated

NUT:  
Brass—Nickel Plated

### CERTIFICATIONS & RATINGS

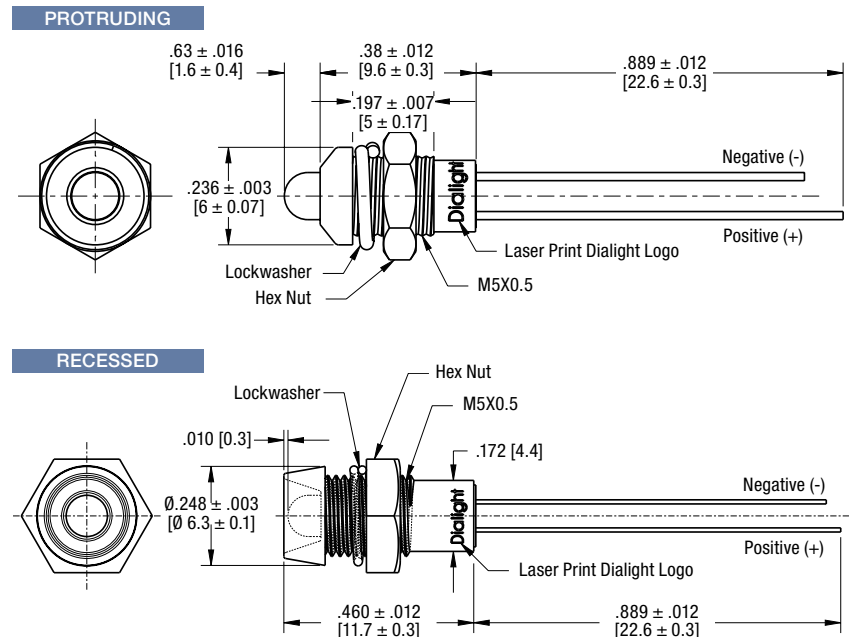
RoHS compliant

### APPLICATION

The 675 Series LED Panel Mount Indicators are designed for a variety of applications such as:

- Main power indication
- Remote power indication
- Status indication
- Maintenance and warning indication
- Instrumentation

### DIMENSIONS inches [mm]



ORDERING INFORMATION

*ESD Footnote Codes: Part Number Guide All HBM Values*

Part Number	Class	Color	Voltage (V DC)	Current (mA)	Typical Intensity (mcd)
-------------	-------	-------	----------------	--------------	-------------------------

**Protruding**

<a href="#">675-1111-110F</a>	1C	● Red	2	20	9110
<a href="#">675-1211-110F</a>		● Green	3.3		11380
<a href="#">675-1311-110F</a>		● Orange	2		9110
<a href="#">675-1411-110F</a>		● Blue	3.3		2810
<a href="#">675-1511-110F</a>		○ White	3.3		5100

**Recessed**

<a href="#">675-2111-110F</a>	1C	● Red	2	20	5650
<a href="#">675-2211-110F</a>		● Green	3.3		11520
<a href="#">675-2311-110F</a>		● Orange	2		7810
<a href="#">675-2411-110F</a>		● Blue	3.3		3810
<a href="#">675-2511-110F</a>		○ White	3.3		6220



Dialight reserves the right to make changes at any time in order to supply the best product possible. The most current version of this document will always be available at: [www.dialightsignalsandcomponents.com](http://www.dialightsignalsandcomponents.com)

Warranty Statement: Except for the warranty expressly provided for at: [www.dialight.com/resources/warranties/](http://www.dialight.com/resources/warranties/), Dialight disclaims any and all other warranties, express or implied, including, without limitation, any warranties of merchantability, fitness for a particular purpose, title, and noninfringement.