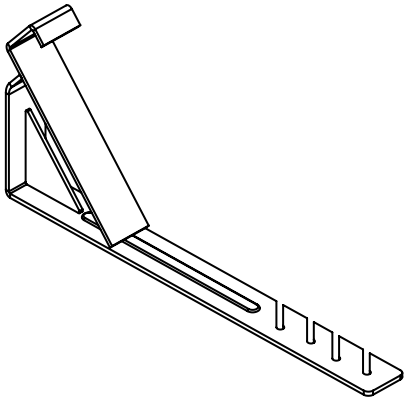


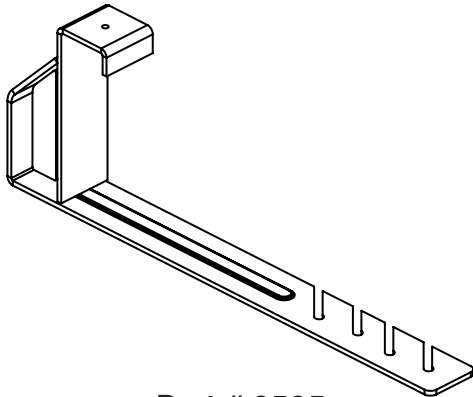
FIXED-PITCH ROOF BRACKET

Part #: 3504, 3505

Instructions



Part # 3504



Part # 3505

✗ Do not throw instructions away.

⚠ Read and understand instructions before using this equipment. Failure to follow instructions can result in personal injury or death.

General Requirements

- When installed as a slide guard on roofs with a 4/12 to 6/12 roof pitch, roof brackets should provide a platform that is 90° to the roof's surface at a point along the eave of the roof.
- For roof slopes greater than 6/12 up to 8/12, additional 90° slide guards must be installed parallel to the first row no farther than every 8 ft of roof slope.
- Additional fall protection methods are required on slopes 8/12 or greater.
- When slope is greater than 4/12 and the ground to eave height is greater than 25 ft, slide guards should not be used.
- Always use OSHA compliant fall arrest system, guardrails, catch platforms or other safety equipment as required by Local, State or Federal OSHA Regulations.
- OSHA Regulations require that employers provide training in the use and care of this product.

Specifications

Part # 3504: Maximum user weight (including all clothing, tools, and equipment) is 460 lb (208 kg) per 8 ft of scaffolding.

Part # 3504: Capacity is 250 lb (113 kg) of roofing materials.

Part #	Description
3504	8 in x 45° Fixed Roof Bracket, For use on 12/12 pitch roofs
3505	6 in x 90° Fixed Roof Bracket, For use only as a slide guard or a material support

Installing Roof Bracket

■ Step 1

Attach bracket to the roof using 20-penny nails. Use all teardrop holes on left or all slots on right side of mounting plate.

■ Step 2

Position bracket so that all nails penetrate both the roof's surface and the rafter below.

■ Step 3

Spacing between brackets should be less than 8 ft.

Installing Platform

■ Step 1

Wood platforms must be at least 2 in thick and extend beyond the support arm at least 6 in and not more than 12 in.

■ Step 2

Always use clear, straight-grained wood free from knots or defects.

■ Step 3

If extended length platforms are required, use additional Roof Brackets every 8 ft.

■ Step 4

Secure platform to bracket by nailing through the hole in the bracket and into the platform.

Care and Maintenance

⚠ NOTE Inspect all Roofing Brackets before each use to be sure that there is no damage or deformation, or deterioration from rusting and immediately remove from service if defects or damage is found.

⚠ NOTE Do not throw or drop from a building or onto a truck.

⚠ NOTE Do not use if exposed to extreme heat or cold. Discard at once.

⚠ NOTE Do not use if wet or frozen.

USA

607 East Sam Houston Parkway South
Suite 800
Pasadena, TX 77503
800 466 6385
customer.service@guardianfall.com

CANADA

580 Notre Dame Avenue, Unit 16
Sudbury, ON
P3C 5L2
800 466 6385
customer.service@guardianfall.com

WARRANTY: Guardian warrants to Buyer that all products are free from defects in material, workmanship, and design (if a Supplier-responsible design), however this warranty does not cover conditions resulting from normal wear and tear, neglect, abuse, accident or otherwise. Guardian's obligations under this warranty apply for the lifetime of the products and are limited to the replacement of product only. This warranty is not transferable to any other Guardian service and does not apply to product that is resold after having been put into service. No other person, firm, entity, or the like is authorized to assume or assign for Guardian any other liability in connection with the sale or use of Guardian's products. Furthermore, this warranty is void if any product is changed or altered in any way, or if the product is used in a manner other than for which it is intended. There are no implied warranties of merchantability or fitness for a particular purpose, which are specifically disclaimed.
