

EFF. DATE 3/26/05

REPL. NEW

ILLUSTRATED PARTS LIST

FORM 2346

Page: AB-BT-W-1

FOR AB – SERIES, FORCED DRAFT, WATER BOILERS AB90 THRU AB300

ORDERING INSTRUCTIONS

WHEN ORDERING PARTS FOR YOUR BRYAN BOILER OR HEATER,
BE SURE TO INCLUDE THE FOLLOWING INFORMATION:

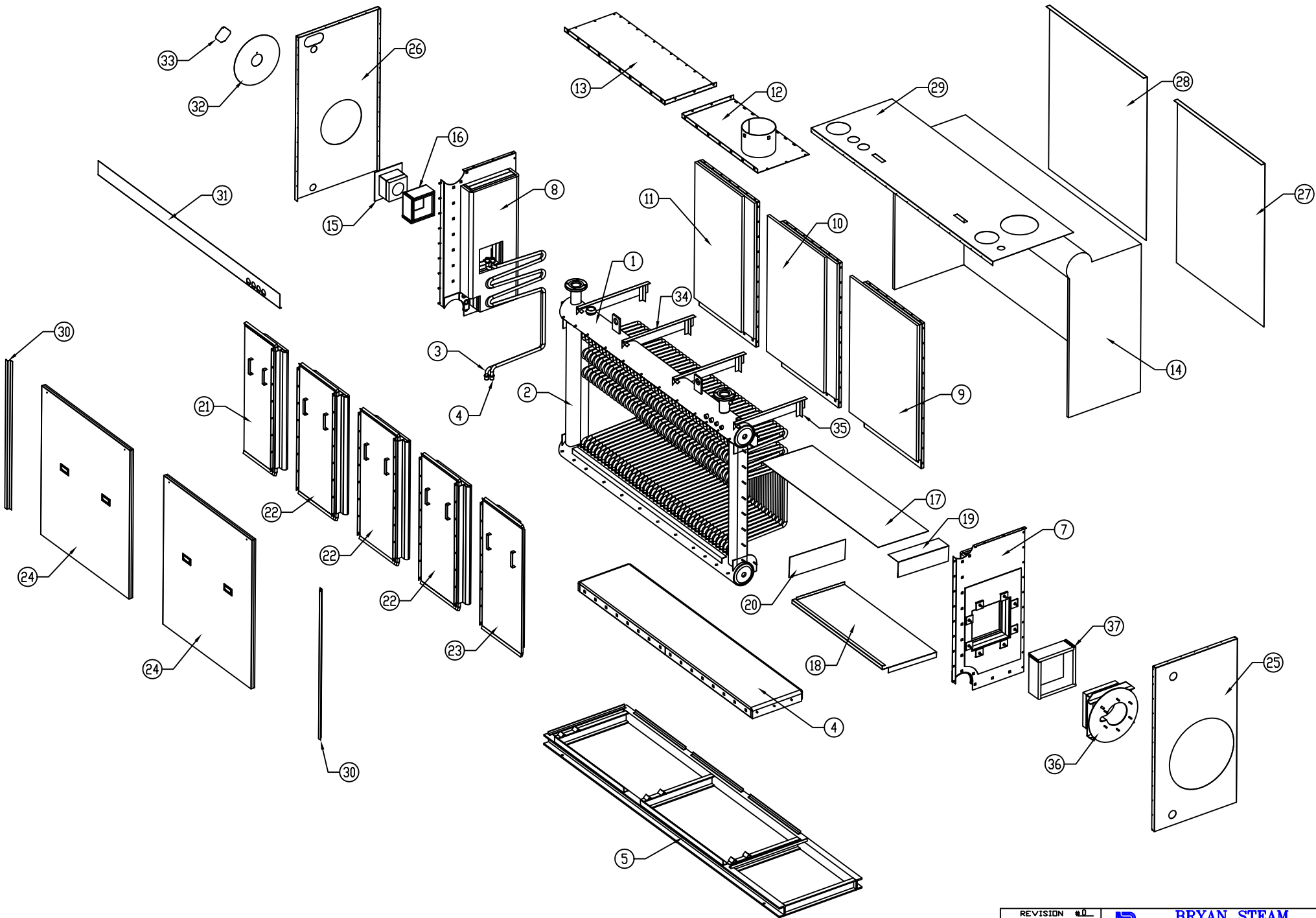
- | | |
|---|--------------------------|
| 1. QUANTITY OF ITEMS REQUIRED | 4. BOILER MODEL NUMBER |
| 2. PART NUMBER FROM THIS PARTS LIST (IF LISTED) | 5. BOILER SERIAL NUMBER |
| 3. DESCRIPTION OF PART | 6. SHIPPING INSTRUCTIONS |


EXAMPLE

PLEASE FORWARD TO US:

QTY.	PART NO.	DESCRIPTION	FOR MODEL	BOILER SERIAL NO.	SHIP VIA
5	77120	Boiler Tubes	AB150	12345	Freight Truck

BRYAN STEAM
783 N. CHILI AVE. * PERU * INDIANA * 46970
PHONE: 765-473-6651 * FAX: 765-473-3074
E-MAIL: inquiry@bryansteam.com * INTERNET: <http://www.bryanboilers.com>



REVISION		#	DATE
APPROVED BY	DATE		
DESIGNED BY	DATE		
REVISED BY	DATE		
 BRYAN STEAM 783 North Chili Avenue Peru, IN 46970			
P&E TITLE AB BOLT TOGETHER WATER ASSEMBLY EXPLODED VIEW			
DRAWN BY JSL	DATE 3/28/05	SCALE NONE	DESIGNED BY FS
P&E NO. A21219			

EFF DATE: 3/26/05

REPL.: NEW

**AB BOLT TOGETHER
FORCED DRAFT - WATER
PARTS LIST**

FORM: 2346

PAGE: AB - BT - FD - W - 2

ITEM	DESCRIPTION	AB90-W		AB120-W		AB150-W		AB200-W		AB250-W		AB300-W	
		REQ	PART NO.	REQ	PART NO.	REQ	PART NO.	REQ	PART NO.	REQ	PART NO.	REQ	PART NO.
24	JACKET DOOR												
	Jacket Access Door Assembly (#1)	--	--	--	--	--	--	1	400177.34	--	--	--	--
	Jacket Access Door Assembly (#2)	1	400177.41	--	--	--	--	1	400177.41	1	400177.41	--	--
	Jacket Access Door Assembly (#3)	--	--	--	--	--	--	--	--	1	400177.50	--	--
	Jacket Access Door Assembly (#4)	--	--	1	400177.51	--	--	--	--	--	--	--	--
	Jacket Access Door Assembly (#5)	--	--	--	--	2	400177.30	--	--	--	--	--	--
	Jacket Access Door Assembly (#6)	--	--	--	--	--	--	--	--	--	--	2	400177.53
	JACKET PANELS												
25	Jacket Front (Burner End)	1	300547	1	300547	1	300547	1	300547	1	300547	1	300547
26	Jacket Rear (Peep Site End)	1	300548	1	300548	1	300548	1	300548	1	300548	1	300548
27	Jacket Side (First Panel)	1	77340		77341	1	77342	1	77343	1	77343	1	77343
28	Jacket Side (Second Panel)	--	--	--	--	1	77341	1	77341	1	77340	1	77344
29	Jacket Top	1	78350	1	78351	1	78352	1	78353	1	78354	1	300399
30	Jacket Door Filler Strip	2	38274	2	38274	2	38274	2	38274	2	38274	2	38274
31	Jacket Door Bar	1	300545.45	1	300545.54	1	300545.63	1	300545.79	1	300545.94	1	300545.108
32	Jacket Peep Site Overlay	1	38486	1	38486	1	38486	1	38486	1	38486	1	38486
33	Jacket Peep Site Ovservation Port Overlay	1	38485	1	38485	1	38485	1	38485	1	38485	1	38485
34	Jacket Support	2	300333	2	300333	2	300333	4	300333	4	300333	4	300333
35	Jacket Support Bracket	2	300118.7	2	300118.7	2	300118.7	4	300118.7	4	300118.7	4	300118.7
	BURNER ASSEMBLY												
	BURNER - See Burner Parts Data Sheet												
36	Burner Plug												
37	Burner Plug Filler Insulation	4	300529	4	300529	4	300529	4	300529	4	300529	4	300529
	Rope Gasket (Ft.)	10	24621	10	24621	10	24621	10	24621	10	24621	10	24621
	CONTROL EQUIPMENT LIST												
	Junction Box w/Cover or Control Box												
	Terminal Strip *												
	Aquastat - Operator												
	Aquastat - High Limit												
	Aquastat Well												
	Low Water Cut Off												
	Wire Molding	1	25606	1	25606	1	25606	1	25606	1	25606	1	25606
	WATER TRIM												
	Comb.Temp/Press.Gauge												
	Pressure Relief Valve												

CONSULT EQUIPMENT LIST

CONSULT EQUIPMENT LIST

EFF DATE: 3/26/05

REPL.: NEW

**AB BOLT TOGETHER
FORCED DRAFT - WATER
PARTS LIST**

FORM: 2346

PAGE: AB - BT - FD - W - 3

ITEM	DESCRIPTION	AB90-W		AB120-W		AB150-W		AB200-W		AB250-W		AB300-W	
		REQ	PART NO.	REQ	PART NO.	REQ	PART NO.	REQ	PART NO.	REQ	PART NO.	REQ	PART NO.
		INDIRECT WATER HEATER											
	Heat Exchanger Gasket 8"	1	29189	1	29189	1	29189	1	20189	1	29189	1	29189
	Indirect Heat Exchanger	CONSULT EQUIPMENT LIST											
	Expansion Tank												
	Boiler Fill Valve												
	Heat Exchanger Relief Valve (WT ONLY)												
	Pool Water Temperature Control (WP ONLY)												
SERVICE TOOLS													
	Tube Puller **	1	28905	1	28905	1	28905	1	28905	1	28905	1	28905
	Tube Driver **	1	28901	1	28901	1	28901	1	28901	1	28901	1	28901
	Tube Brush **	1	28916	1	28916	1	28916	1	28916	1	28916	1	28916

* Depends on Number of Terminals Required

** Not Standard. Available Upon Request.

BOILER PRE START UP INSPECTION & CHECK LIST

An inspection of the boiler and burner unit is strongly suggested prior to notifying any start-up personnel. An incomplete or inadequate installation will require additional time and effort by start up personnel, causing untimely delays and additional start up costs.

GENERAL

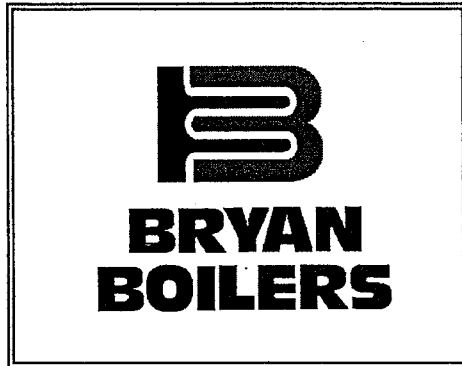
1. Are boiler and burner installed in accordance with applicable installation instructions?
2. Has the proper electrical voltage been connected to the boiler and burner control cabinets as shown on the respective material lists?
3. Has the jobsite wiring been checked for completeness and accuracy? Have 3-phase motors been properly wired and checked for correct rotation?
4. Are the boiler mounted limit controls such as low water cutoffs, high limit controls, operating controls, modulation controls, etc., properly installed, wired, and adjusted to the proper settings?
5. Are the boiler controls the right type and range for the installation?
6. Is the boiler water supply, including feed pumps, properly connected and is boiler filled with water?
7. Is sufficient load connected to the boiler so that it can be fired continuously at full rating?
8. If boiler load is not connected, can steam be wasted so that boiler can be fired continuously at full rating without endangering personnel or equipment?
9. If the installation is a hot water boiler, have the circulating pumps been completely installed, wired, and tested to assure proper operation so that the burner can be fired continuously at full rating?
10. Have the boiler breeching connections to the stack been completed and are they open and unobstructed?
11. Is draft control equipment required, and, if so, installed?
12. Have adequate provisions for combustion air been installed?

GAS FIRING

1. Have properly sized vent lines been installed on all gas train components which require venting? This includes such items as pressure regulators, normally open vent valves, diaphragm valves, low and high gas pressure switches, etc.
2. Have gas train piping and components been tested and proven gas tight?
3. Is the proper gas pressure available at the inlet to the controls which meets the requirement shown on the boiler and burner material list.

OIL FIRING

1. Is the oil tank installed and filled with the proper type and grade of fuel oil, as required by the boiler and burner material lists? There absolutely must be no water in the tank!
2. Have oil supply and return lines been properly sized to meet the maximum pumping capacity of the pump and has the system been purged and proven leak proof?
3. Is the oil system piped for two-pipe operation as required and is the oil pump set-up for two-pipe operation?
4. Is all specified auxiliary equipment mounted and wired? This may include outdoor temperature controls, oil flow switches, space thermostats, water flow switches, motorized combustion air louvers, etc.
5. Have the persons listed below been notified of the burner start-up date?
 - Owner's Representative
 - Mechanical Contractor's Representative
 - Electrical Contractor's Representative
 - Service Organization's Representative
 - Boiler Manufactures' Representative



Installation
Operation
Service Manual
for
Forced Draft Water
Boilers

BRYAN STEAM LLC, 783 NORTH CHILI AVENUE, PERU, INDIANA 46970
Telephone: 765-473-6651 / Fax: 765-473-3074
E-Mail: bryanboilers@iquest.net / Internet: www.bryanboilers.com

INSTALLATION INSTRUCTIONS WATER BOILERS

NOTE:

- Please read all of instruction manual before attempting installation.
- Insurance and local or state regulatory codes may contain additional or more stringent requirements than those contained in this manual. Installation must conform to these codes and any other authority having jurisdiction.

1.1 BOILER FOUNDATION

Before uncrating, the boiler location should be prepared. The boiler should set upon a good level concrete floor. If the boiler is not level or the floor in good condition, a concrete foundation should be built, the dimensions larger than the outside dimensions of the boiler base.

DO NOT INSTALL BOILER ON COMBUSTIBLE FLOORING. The only exception to this is UL Labeled F-Series boilers which may be installed on combustible flooring.

IMPORTANT

If the boiler is installed directly on a concrete floor where it is important that the floor be kept cool (such as an upper floor or mezzanine or when sitting over wiring conduits) set the boiler up on insulating tile or steel framework so that air may circulate underneath. For atmospheric gas fired boilers, it is advisable to build up an insulating floor under the boiler using high temperature mineral fiber board at least 1 1/2" thick.

1.2 CLEARANCES

See Table 1 for minimum clearances to wall, ceilings, or obstructions. The clearances in Table 1 are intended as a general recommendation only. Local codes must be applied to specific installations and the minimum clearances established accordingly. Provisions must also be made for service, accessibility and clearance for piping and electrical connections.

Do not obstruct combustion air and ventilation openings with piping or any other construction. All

boilers must be installed in a space which is large compared to the boiler. Only UL Labeled F-Series boilers are suitable for installation on combustible flooring.

NOTE

ADHERE TO ALL APPLICABLE LOCAL CODES REGARDING BOILER INSTALLATION AND CLEARANCES.

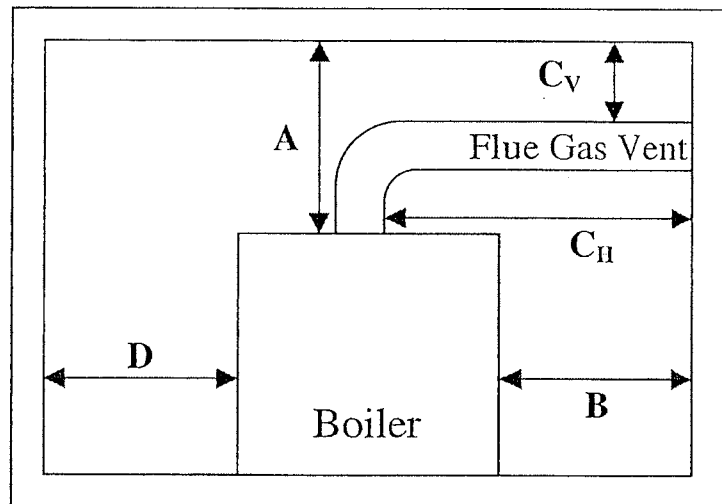
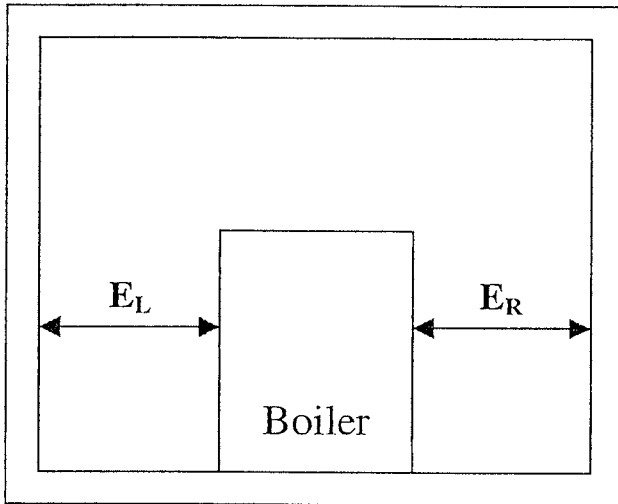
1.3 UNCRATING THE BOILER

Uncrate the boiler near its permanent location. Leave it on the bottom crating until ready to place it permanently. Leave the plastic shroud on the boiler until all piping work is complete, cutting holes in the plastic for access to connections.

Remove the bolts attaching the boiler to the crate at the underside of the bottom crating. Lift or slide the boiler off of the bottom crating into position. Be careful not to tip the boiler up on one corner or side, which could cause damage to jacket.

Minimum Clearances to Combustible Surfaces Atmospheric Boilers

NOTE: These boilers are intended to be installed in a room which is large compared to the size of the boiler. They are not intended for alcove installation and suitable for installation on a non-combustible flooring only.



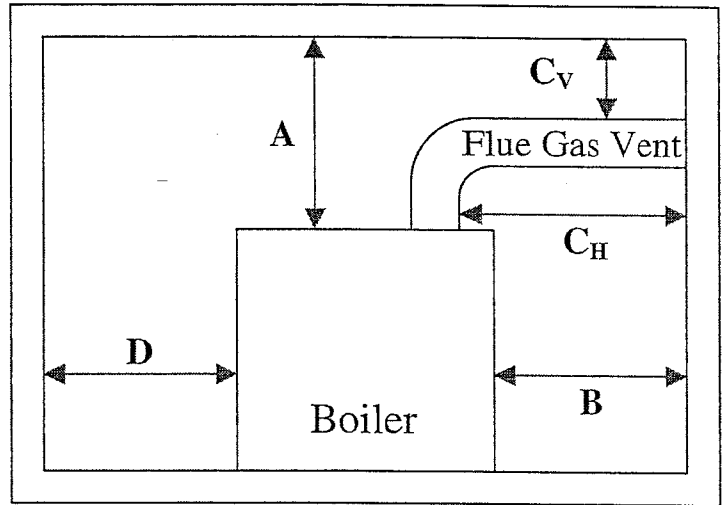
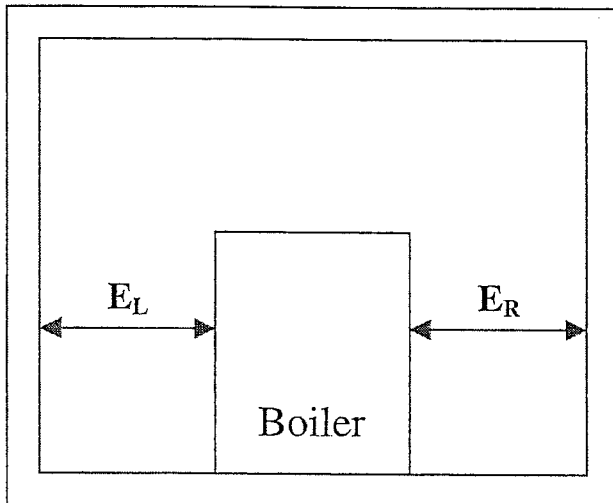
DIM.	Description	CLM Series		F Series		K Series	
		Water/Steam to 50#	Steam over 50#	Water/Steam to 50#	Steam over 50#	Water/Steam to 50#	Steam over 50#
A	Clearance above Top of Boiler	18"	24"	18"	24"	18"	24"
B	Front of Boiler - Gas Train & Control Panel end	36"	36"	36"	36"	36"	36"
C_H	From Chimney or Vent Collector measured horizontally	18"	24"	18"	24"	18"	24"
C_V	From Chimney or Vent Collector measured vertically	18"	24"	18"	24"	18"	24"
D	Rear of boiler opposite gas train & control panel end	18"	24"	18"	24"	18"	24"
E_L	Left Side - Tube Access Side on standard construction	24"	24"	24"	24"	32"	32"
E_R	Right Side	18"	24"	18"	24"	18"	24"

Notice: F-Series boilers are approved for installation on combustible flooring. Do not install on carpeting.

These clearances are general minimum clearances to combustible surfaces. Local codes may dictate larger clearances.

Minimum Clearances to Combustible Surfaces Forced Draft Boilers

NOTE: These boilers are intended to be installed in a room which is large compared to the size of the boiler. They are not intended for alcove installation and suitable for installation on a non-combustible flooring only.



DIM.	Description	AB,CLM,DR,HECLM Series		RV Series		RW Series	
		Water/Steam to 50#	Steam over 50#	Water/Steam to 50#	Steam over 50#	Water/Steam to 50#	Steam over 50#
A	Clearance above Top of Boiler	18"	24"	18"	24"	18"	24"
B	Front of Boiler - Burner End	48"	48"	48"	48"	48"	48"
C_H	From Chimney or Vent Collector measured horizontally	18"	24"	18"	24"	18"	24"
C_V	From Chimney or Vent Collector measured vertically	18"	24"	18"	24"	18"	24"
D	Rear of boiler opposite burner end	18"	24"	18"	24"	18"	24"
E_L	Left Side - Tube Access Side on standard construction	24"	24"	32"	32"	32"	32"
E_R	Right Side	18"	24"	18"	24"	32"	32"

Notice: These clearances are general minimum clearances to combustible surfaces. Local codes may dictate larger clearances.

1.4 BOILER CONNECTIONS

1.4.1 GENERAL

Do not run any pipes along the access panel side of the boiler. Maintain clearances as shown on the dimensional drawing for servicing of the boiler tubes. Provide at least 36" from the gas train and burner, unless a larger dimension is indicated on the dimensional. All piping should be designed and installed to avoid any loadings on the boiler connections or piping.

1.4.2 FLOW CONNECTIONS

The system supply and return flow connections are shown on the boiler dimensional drawing in this manual. A gate valve and union should be on the boiler outlet and inlet lines. This allows the boiler to be isolated from the heating system for draining and servicing. Use a tee, nipple, and cap on the boiler inlet line to allow inspection and cleaning.

1.4.3 SAFETY RELIEF VALVE(S)

A connection is provided in the top of the boiler for the relief valve. The relief valve discharge piping must be the same size as the relief valve discharge opening. Avoid over-tightening as this can distort valve seats. All piping from relief valve must be

independently supported with no weight carried by the valve.

1.4.4 EXPANSION TANK CONNECTION

A connection is provided in the top of the boiler for connecting piping to the expansion tank. This piping should be installed as to avoid air entrapment in the boilers.

1.4.5 DRAIN CONNECTION

A drain valve must be installed off of the boiler drain connection, the same pipe size as this connection, to allow draining of the boiler.

1.4.6 INDIRECT WATER HEATING BOILERS

When the boiler is to be used only for heating potable (domestic) water or swimming pool water, the heating system connections discussed above are capped. The relief valve connections are still required. Water connections are made only to the indirect heat exchanger(s), according to the piping drawing included in this manual. An automatic boiler fill valve is provided with the boiler. This valve must be connected to the fresh water system. With some units, this connection is made to the heat exchanger at the factory.

Section 1

1.5 GAS SUPPLY CONNECTION - FORCED DRAFT UNITS

The installation must conform completely to the requirements of the authority having jurisdiction, or in the absence of such, requirements shall conform in the U.S. to the current National Fuel Gas Code, ANSI Z223.1-1984, or in Canada to the current Installation Code for Gas Burning Appliances and Equipment (CAN/CGA B149.1-M91), or Oil Burning Equipment (CSA B139-M91), and applicable regional regulations for the class; which should be followed carefully in all cases.

Drip leg must be installed on gas supply piping.

Consult the local gas utility company for inspection and authorization of all gas supply piping and flue connections.

The regulator vent line must be vented to outside of building on any boiler equipment with electric gas pilot ignition.

1.5.1 DRIP LEG

A drip leg or sediment trap must be installed in the gas supply line. See Fig. 1.5A. The gas line must be connected to a supply main at least as large as the gas train connection at the boiler. This connection should be made with a union so that the boiler gas train components and burner may be easily removed, if necessary, for service.

1.5.2 GAS PIPING LEAK TEST

After completion of the gas piping hookup, the installation must be checked for leaks, using a soap and water solution. Disconnect the boiler and gas train from the gas supply piping during any pressure testing of the gas supply system.

1.5.3 VENTING OF GAS TRAIN COMPONENTS

Gas pressure regulator - The regulator must be vented to the outside air, using minimum 1/4" tubing or pipe. The vent line should terminate in a downward direction to be free of restriction.

Diaphragm gas valves (V48A or V88A) - The vent line off of these gas valves must be vented to outdoors, the same as the regulator.

Normally open vent valves - These valves must be piped to outdoors using pipe no smaller than that of the valve.

Gas pressure switches - Vent these switches to outdoors using a minimum of 1/4" tubing or piping.

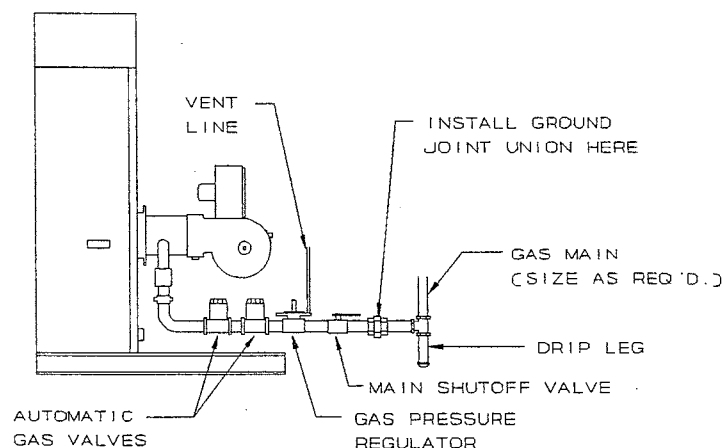


FIGURE 1.5A: GAS BURNER CONNECTION

NOTE: USE PIPE COMPOUND WHICH IS RESISTANT TO THE ACTION OF LIQUID PETROLEUM GAS. DO NOT USE TEFLON TAPE.

1.6 ELECTRICAL CONNECTION

IMPORTANT: All electrical connections must conform to the National Electrical Code and to all other applicable State and Local Codes. Forced draft boilers may require a high voltage connection. See boiler wiring diagram and equipment list for

details.

Equipment Grounding - The boiler must be grounded in accordance with the American National Standard Electrical Code, ANSI/NFPA #70-1981.

1.7 COMBUSTION AIR SUPPLY

IMPORTANT: Positive means for supplying an ample amount of outside air, allowing complete combustion of the gas, must be provided.

Movable combustion air dampers, automatic or manually adjustable, must be electrically interlocked with the boiler to prevent boiler operation if the dampers are closed.

Combustion air openings must never be blocked or obstructed in any manner.

The boiler room must be at a positive or neutral pressure relative to the outdoors. A negative in the boiler room will result in downdraft problems and incomplete combustion due to lack of air.

WARNING!

Failure to provide an adequate air supply will result in boiler damage and hazardous conditions in the building (fire and asphyxiation hazard as well as equipment damage).

COMBUSTION AIR: Complete combustion of natural or propane gas requires approximately ten cubic foot of air (at sea level and 70°F) for each 1000 Btu of boiler input. In reality, additional air is required to achieve complete combustion. Air is also required for the proper operation of the appliance draft diverter or barometric damper. The combustion air opening recommendations below are designed to provide the air needed for atmospheric gas fired boilers which are equipped with either draft diverters or barometric dampers. Combustion air openings for boilers which are equipped with forced draft burners may be reduced to 70% of that required for atmospheric gas fired boilers. This is because the forced draft boiler is not equipped with a draft control device (so no air is required for draft control).

COMBUSTION AIR OPENINGS - AREA REQUIRED:

Openings directly through outside wall -

One opening within 12 inches of the ceiling plus one opening within 12 inches of the floor. Each opening must have a minimum free area of 1 square inch per 4,000 Btu of total input of all air using appliances in the room.

Example: A boiler room having two boilers with 500,000 Btu input would require two openings through an outside wall, and each opening must have at least 250 square inches of free area.

Openings through vertical ducts -

One duct in the ceiling plus one duct terminating within 12 inches of the floor. Each opening must have a minimum free area of 1 square inch per 4,000 Btu of total input of all air-using appliances in the room.

Example: A boiler room having four boilers with 250,000 Btu input would require two ducts, one in the ceiling and one terminating near the floor, each opening having at least 250 square inches of free area.

Openings through horizontal ducts -

One duct opening within 12 inches of the ceiling plus one duct opening within 12 inches of the floor. Each opening must have a minimum free area of 1 square inch of per 2,000 Btu of total input for all equipment in the room. NOTE: No rectangular duct may have a dimension of less than 4 inches.

Example: A boiler room having 1 million Btu total input would require two ducts, one in the ceiling and one near the floor, each opening must having at least 500 square inches of free area.

Ventilation Air: In addition to air needed for combustion, sufficient air must be supplied for ventilation, including air required for comfort and proper working conditions for personnel in the

boiler room. In colder climates, provision should also be made to heat the boiler room, if necessary, for personnel comfort.

CAUTION

Protection from combustion air contamination:
Where corrosive or flammable process fumes are present in the vicinity of the boiler room or the air stream for the combustion air supply, it is essential that suitable means be provided for their safe

disposal. The boiler room and the combustion air supply must not be exposed to the fumes. Such fumes include, but are not limited to, carbon monoxide, hydrogen sulfide, ammonia, chlorine, and halogenated hydrocarbons.

NOTE: Halogenated hydrocarbons are particularly injurious and corrosive after exposure to high temperatures.

1.8 CHIMNEY, FLUE PIPE & DRAFT CONTROL - FORCED DRAFT BOILERS

CODE COMPLIANCE

The installation must conform to the requirements of NFPA 54, the National Gas Code (ANSI Z223.1-1984), Part 7, "Venting of Equipment", or to the applicable requirements of all local building codes. For factory-built and listed chimney systems (such as type B vent), consult the system manufacturer's instructions for correct installation procedures. Gas vents may be of any of the construction types listed in this manual. No portion of a venting system may extend into or pass through any circulating air duct or plenum.

MINIMUM SAFE PERFORMANCE

Venting systems must be designed to develop positive flow adequate to remove flue gases to the outside atmosphere. Guidelines are provided in this manual and in the National Fuel Gas Code, NFPA 54, for sizing and design of flue gas venting systems. For additional reference to good practice in vent design, refer to the "Chimney, Gas Vent, and Fireplace Design" chapter of the ASHRAE Equipment Handbook.

OUTSIDE VENTS AND CHIMNEYS

Outside uninsulated single wall pipe is not recommended for use in cold climates for venting gas-fired appliances since temperature differentials may cause corrosion in such pipe, as well as poor draft on start ups. When local experience indicates that condensate may be a problem, provisions should be made to drain off the condensate in the gas vent or chimney.

ESTIMATING FLUE GAS FLOW RATE (ACFM)

Flue gas volumetric flow rate in SCFM (standard cubic feet per minute) and ACFM (actual cubic feet per minute) can be estimated by using the information in 1.8.1A. Divide the Total Input of appliances connected to the chimney or vent by 1000. Then multiply this result times the factor listed in the SCFM and ACFM table. The ACFM data is required for determining stack exit velocity and induced draft fan requirements.

ESTIMATING STACK EXIT VELOCITY

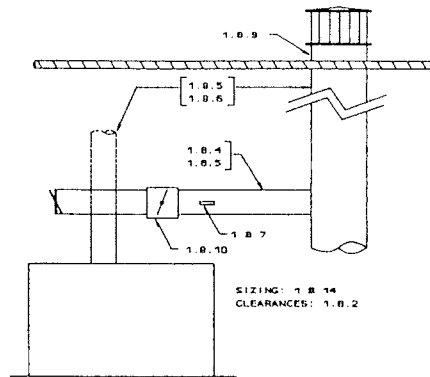
First, determine the ACFM for the stack as described above. Multiply the total ACFM times the Velocity Factor from the Velocity Table in Table 1.8.1B for the stack diameter used. The result is the Stack Exit Velocity in feet per second.

ESTIMATING STACK EMISSIONS

Table 1.8.1C lists approximate emissions of NO_x (oxides of nitrogen) and CO (carbon monoxide). The table lists both the concentration, in parts per million (ppm), and the flow rate, in pounds per hour (PPH), of each compound: Divide the total input of appliances connected to the chimney or vent by 1,000,000. Then multiply this result times the value listed in the table for PPH emissions.

MANUAL REFERENCES

See Figure 1.8.1 for a graphics listing of applicable sections of this manual for each section of the vent system.



**FIG. 1.8.1: VENT DESIGN
INSTRUCTION - REFERENCES**

TABLE 1.8.1A: ESTIMATING FLUE GAS VOLUMETRIC FLOW RATE

Approximate Flue Gas VOLUMETRIC FLOW RATE (Per 1000 Btu/hr Input) (Multiply factor listed times boiler input in MBH)			
BOILER TYPE	SCFM Per 1000 Btu/hr INPUT	ACFM Per 1000 Btu/hr INPUT	APPROXIMATE FLUE GAS TEMPERATURE
Water & 15# Steam Gas Fired	0.230	0.402	450°F
	0.230	0.402	450°F
150# Steam Gas Fired	0.230	0.425	500°F
	0.230	0.425	500°F

TABLE 1.8.1B: STACK EXIT VELOCITY

Estimated STACK EXIT VELOCITY Calculation (Multiply total ACFM times the velocity factor below velocity in feet per second)					
STACK INSIDE DIAMETER (Inches)	VELOCITY FACTOR	STACK INSIDE DIAMETER (Inches)	VELOCITY FACTOR	STACK INSIDE DIAMETER (Inches)	VELOCITY FACTOR
6	0.0849	18	0.00943	34	0.00264
7	0.0624	20	0.00764	36	0.00236
8	0.0477	22	0.00631	38	0.00212
10	0.0306	24	0.00531	40	0.00191
12	0.0212	26	0.00390	48	0.00133
14	0.0156	28	0.00340	60	0.00085
16	0.0119	32	0.00298		

TABLE 1.8.1C: ESTIMATING FLUE GAS EMISSIONS

Estimated Emissions (Volumetric Flow Rate Per Million Btu/hr Input) (Multiply PPH listed times boiler input divided by 1,000,000)										
BOILER TYPE	PARTICULATES		NOx		CO		SOx		Hydrocarbons	
	PPH per MMBH	PPM	PPH per MMBH	PPM	PPH per MMBH	PPM	PPH per MMBH	PPM	PPH per MMBH	PPM
Gas Fired	N/A	N/A	0.049	50	0.194	200	N/A	N/A	0.010	10
Oil Fired	0.020	20	0.068	70	0.018	18	0.286	290	0.004	4

1.8.2 CLEARANCES

The vent system and draft control devices must be installed so as to achieve the clearances to surfaces outlined in Table 1.2.1, Minimum Clearances chart, in this manual. See also Table 1.8.9 for vent clearances. All clearances must comply with the National Fuel Gas Code (NFPA54), and with all

local and state building codes. The clearances described in this manual are intended to be general guidelines only, additional requirements may occur because of local building design regulations.

1.8.3 BOILER ROOM PRESSURIZATION

The boiler room must be supplied with adequate air for combustion and for proper operation of draft control devices (barometric dampers or draft

diverters) as outlined in "Combustion Air Supply", Section 1.7 of this manual.

WARNING

THE BOILER ROOM MUST BE MAINTAINED AT A POSITIVE OR NEUTRAL PRESSURE (RELATIVE TO OUTDOORS) AT ALL TIMES. EXHAUST FANS OR CONNECTIONS FROM THE BOILER ROOM TO ZONES OF NEGATIVE PRESSURE (AIR DUCTS, NEGATIVE PRESSURE ROOMS, ETC.) WILL CAUSE NEGATIVE PRESSURE IN THE BOILER ROOM. SUCH CONDITIONS WILL CAUSE HAZARDOUS OPERATION OF THE BOILER AND INTRODUCTION OF COMBUSTION PRODUCTS INTO THE BUILDING AIR.

INDUCED DRAFT FAN WILL BE REQUIRED. FURTHER, THE BOILER MUST BE PROVIDED WITH A BAROMETRIC DRAFT CONTROL - NOT WITH A DRAFT DIVERTER. THE FAN MUST BE INTERLOCKED WITH THE BOILER AND A DRAFT PROVING SWITCH MUST BE INSTALLED TO PREVENT OPERATION OF THE BOILER IF THE FAN SHOULD FAIL TO OPERATE.

IF THE BOILER ROOM MUST BE UNDER A NEGATIVE PRESSURE AT ANY TIME, AN

IT ALSO MAY BE ADVISABLE TO INSTALL AN AUTOMATIC VENT DAMPER IN THE VENT SYSTEM TO PREVENT BACKFLOW THROUGH THE VENT SYSTEM DURING BOILER OFF CYCLES. SEE FOLLOWING SECTION ON AUTOMATIC VENT DAMPERS.

1.8.7 ACCEPTABLE VENT TYPES

LISTED GAS VENTS

Listed gas vents must be applied only on those applications for which they are listed. Type B gas vents are NOT listed for use on forced draft appliance vent systems.

Installation of these vents must comply with the vent listing, with the vent manufacturer's instructions and with complete adherence to the codes and clearances as outlined previously.

PRESSURIZED VENT SYSTEMS

Some Bryan Boilers (unless specifically fitted for the application) are not suitable for operation on a pressurized vent systems. Refer to Section 2 of this manual for the allowable range of vent pressure for each series. The RV, RW, and AB series boilers are designed for pressurized vent systems. All others require a neutral pressure.

SINGLE-WALL METAL PIPE

Single-wall metal pipe must be of galvanized sheet or other approved non-combustible corrosion resistant material, with minimum thickness per Table 1.8.7, from the National Fuel Gas Code. Single-wall metal pipe should be insulated to prevent excessive heat in the boiler room and to avoid ignition and spillage problems as well as corrosion from excessive condensation.

MASONRY, METAL AND FACTORY BUILT CHIMNEYS

Installation of factory built vents and chimneys must comply with the vent listing, with the vent manufacturer's instructions and with adherence to the codes and clearances as outlined herein. Masonry or metal chimneys must be built and

installed in accordance with nationally recognized building codes or standards.

MASONRY CHIMNEYS FOR RESIDENTIAL APPLICATIONS MUST BE LINED WITH FIRE-CLAY FLUE LINING (KX C315 OR THE EQUIVALENT) WITH THICKNESS NOT LESS THAN 5/16 INCH OR WITH A LINER OF OTHER APPROVED MATERIAL THAT WILL RESIST CORROSION, SOFTENING OR CRACKING FROM FLUE GASES AT TEMPERATURES UP TO 1800°F.

EXISTING CHIMNEYS SHOULD BE INSPECTED FOR UNSAFE CONDITIONS, SUCH AS DETERIORATED MASONRY AND EXCESSIVE SOOT OR OTHER BLOCKAGE OR POTENTIAL BLOCKAGE. SEE ALSO SECTION 1.8.6.

EXISTING CHIMNEYS MUST BE PROPERLY SIZED FOR THE FLUE GAS LOADING TO BE USED. THAT IS, IF AN EXISTING CHIMNEY IS USED FOR A SMALLER TOTAL INPUT THAN ITS ORIGINAL DESIGN, A LINER OR VENT IS REQUIRED. THE USE OF A PROPERLY SIZED GAS VENT OR LINER WILL PREVENT DETERIORATION OF THE CHIMNEY DUE TO THE EXCESSIVE CONDENSATION WHICH RESULTS ON OVERSIZED SYSTEMS.

WARNING

UNDER NO CIRCUMSTANCES SHOULD THE FLUE PIPE BE CONNECTED TO THE CHIMNEY OF AN OPEN FIREPLACE.

TABLE 1.8.7A WATER BOILER & STEAM BOILERS TO 50 PSIG		TABLE 1.8.7B (STEAM BOILERS OVER 50 PSIG)	
Diameter of Connector, Inches	Minimum Thickness, Inch (Gauge)	Diameter of Connector, Inches	Minimum Thickness, Inch (Gauge)
6 to 10	0.023 (24)	14 and less	0.053 (16)
10 to 12	0.029 (22)	14 to 16	0.067 (14)
12 to 16	0.034 (20)	16 to 18	0.093 (12)
16 +	0.056 (16)	18 +	0.123 (10)

1.8.5 VENT CONNECTORS (HORIZONTAL RUNS)

CONSTRUCTION

Vent connectors may be of any of the acceptable constructions listed in this manual.

AVOID UNNECESSARY BENDS

The vent connector must be installed so as to avoid turns or other construction features which create excessive resistance to flow of flue gases.

JOINTS

Vent connectors must be firmly attached to draft diverter outlets or boiler flue collars by sheet metal screws or other approved means. Vent connectors of Type B vent material must be assembled in accordance with the vent manufacturer's instructions. Joints between sections of connector piping must be fastened using sheet metal screws or other approved means.

SLOPE OR VENT CONNECTOR

The vent connector must be installed without any dips or sags and must slope upward at least 1/4 inch per foot.

LENGTH OF VENT CONNECTOR

The vent connector must be as short as possible and the boiler as close as practical to the chimney or vent.

The horizontal run of an uninsulated vent connector to a natural draft chimney or vent servicing a single appliance must not be more than 75% of the height of the chimney or vent above the vent connector.

The horizontal run of an insulated vent connector to a natural draft chimney or vent servicing a single appliance must not exceed 100% of the height of the chimney or vent above the vent connector.

SUPPORT OF VENT CONNECTOR

The vent connector must be supported in accordance with the vent manufacturer's instructions and listing and with all applicable codes. Support should also be independent of the boiler or the draft diverter (when used). The vent connector must be supported for the design and weight of the material employed to maintain clearances, prevent physical damage and separation of joints, and to prevent sagging of the vent connector.

Supports should usually be overhead hangers, of load bearing capacity appropriate for the weight involved.

LOCATION

When the vent connector used for an appliance having a draft hood must be located in or pass through a crawl space or other area difficult to access or which may be cold, that portion of the vent connector must be of listed double wall Type B gas vent material, or of material having equivalent insulation qualities. Single wall metal pipe used as a vent connector must not pass through any floor or ceiling.

CHIMNEY CONNECTION

In entering a passageway in a masonry or metal chimney, the vent connector must be installed above the extreme bottom to avoid stoppage. Means must be employed which will prevent the vent connector from protruding so far as to restrict the space between its end and the opposite wall of the chimney. A thimble or slip joint may be used to facilitate removal of the vent connector. The vent connector must be firmly attached to or inserted into the thimble or slip joint to prevent the vent connector from falling out.

DAMPERS

Manually operated dampers must not be placed in the vent connector. This does not exclude the use of fixed baffles, locking quadrant dampers which are welded in a fixed position, or automatic vent dampers (when properly installed and interlocked with the boiler gas controls).

USE OF THIMBLES

Vent connectors made of single wall metal pipe must not pass through any combustible wall unless they are guarded at the point of passage by ventilated metal thimbles 6" larger in diameter than the vent connector. This may be done only on water boilers and steam boilers rated for operation at no higher than 50 psig.

SINGLE WALL METAL VENT PIPE USED TO VENT STEAM BOILERS OPERATING OVER 50 PSIG MUST NOT PASS THROUGH WALLS OR PARTITIONS CONSTRUCTED OF COMBUSTIBLE MATERIAL.

1.8.6 CHIMNEY & VENT CONSTRUCTION (VERTICAL SECTION)

INSTALLATION OF FACTORY BUILT SYSTEMS

Listed gas vents and factory built chimneys must be installed in accordance with their listings and the manufacturer's instructions. Vents and venting systems passing through roofs must extend through the roof flashing, roof thimble or roof jack.

INSTALLATION OF MASONRY OR METAL CHIMNEYS

Masonry or metal chimneys must be built in accordance with nationally recognized building codes and standards.

INSTALLATION OF SINGLE WALL GAS VENTS

Single wall metal pipe may be used only for runs directly from the space in which the appliance is located through the roof or exterior wall to the outer air. A pipe passing through a roof must extend without interruption through the roof flashing, roof jack or thimble. Single wall metal pipe must not originate in any unoccupied attic or concealed space. Additionally, it must not pass through any attic, inside wall, concealed space or through any floor. Minimum clearance must be maintained between the single wall metal pipe and any combustible surface as outlined in Table 1.8.9.

When a single wall metal pipe passes through an exterior wall constructed of combustible material, it must be guarded at the point of passage by a ventilated thimble as described under "Use of Thimbles" in Section 1.8.8 of this manual.

Alternatively, a non-ventilating thimble not less than 18" above and 6" below the roof (with the annular space open at the bottom and closed at the top) may be used.

INSPECTIONS OF CHIMNEYS

Before connection of a vent connector to a chimney, the chimney passageway must be examined to ascertain that it is clear and free of obstructions. Cleanouts must be constructed such that they will remain tightly closed when not in use. Tee fittings used as cleanouts or condensate drains must have tight fitting caps to prevent entrance of air into the chimney at such points. When an existing masonry chimney is unlined and local experience indicates that vent gas condensate may be a problem, an approved liner or another vent must be installed. When inspection reveals that an existing chimney is not safe for the intended application, it must be rebuilt to conform to nationally recognized standards, relined with a suitable liner, or replaced with a gas vent or chimney suitable for the appliances to be attached.

SUPPORT OF CHIMNEYS AND VENTS

All portions of chimneys must be adequately supported for the design and weight of the materials employed. Listed factory built chimneys must be supported and spaced in accordance with their listings and the chimney or gas vent manufacturer's recommendations.

THE GAS VENT OR CHIMNEY MUST BE SUPPORTED INDEPENDENTLY OF THE BOILER TOP OR DRAFT DIVERTER.

EQUIPMENT TYPE	MINIMUM REQUIRED DISTANCE FROM COMBUSTIBLE MATERIAL		
	Listed Vent	Single Wall Metal Pipe	Factory Built Chimney
Water and 15 psig Steam Boilers	not permitted	18"	as listed
All Steam Boilers over 15 psig	not permitted	36"	as listed

1.8.7 MARKING OF GAS VENTS

In those localities where solid and liquid fuels are used extensively, gas vents must be plainly and permanently identified by a label reading:

"This gas vent is for appliances which burn

gas only. Do not connect to incinerators or solid or liquid fuel burning appliances."

This label must be attached to the wall or ceiling at

a point near where the gas vent connector enters the wall, ceiling or chimney.

The authority having jurisdiction must determine whether their area constitutes such a locality.

1.8.8 VENTING MULTIPLE APPLIANCES ON A COMMON VENT

COMMON GAS VENT

When two or more openings (for vent connectors) are provided in a chimney or gas vent, the opening should be at different levels. They should never be opposite one another.

When two vent connectors enter the same gas vent or chimney, the smallest of the two should enter at the highest position possible.

PRESSURIZED VENTS OR VENT CONNECTORS

DO NOT CONNECT THE FLUE OF AN APPLIANCE VENTED BY NATURAL DRAFT TO A VENT SYSTEM WHICH OPERATES UNDER A POSITIVE PRESSURE.

SOLID FUEL APPLIANCE VENTS

Gas appliances must not be vented to a vent or a chimney which serves a solid fuel burning appliance.

1.8.9 VENT AND CHIMNEY TERMINATIONS

HEIGHT ABOVE ROOF OR OBSTACLE

WATER BOILERS AND LOW PRESSURE STEAM BOILERS: No less than 3 feet above the roof and no less than 2 feet above any parapet or obstacle closer than 10 feet from the vent outlet.

HIGH PRESSURE (OVER 15 PSIG) STEAM BOILERS: No less than 10 feet higher than any portion of any building within a distance of 25 feet from the vent.

MINIMUM HEIGHT ABOVE DRAFT CONTROL

Chimneys and gas vents must extend at least 5 feet above the highest connected barometric draft control or any appliance flue outlet.

CLEARANCE FROM AIR INLETS

The vent or chimney must terminate no less than 3 feet above any forced air inlet within a distance of 10 feet. It must terminate no less than 1 foot above, or 4 feet below, or 4 feet horizontally from, any door, window or gravity air inlet into a building.

CLEARANCE FROM PUBLIC WALKWAYS

The vent exit of a mechanical draft system must be at least 7 feet above grade when located next to public walkways.

PROTECTION OF BUILDING MATERIALS FROM POSSIBLE CORROSION OR DISCOLORATION FROM FLUE PRODUCTS

The products of combustion from gas or oil contain potentially corrosive gases and high temperatures.

For this reason, the chimney or vent exit must be designed to prevent exposure of the building materials to the flue products. Failure to do so may result in deterioration or discoloration of building materials.

VENT SUPPORT

The gas vent or chimney must be securely positioned and supported. Guy wires or other reliable means must be used to prevent movement of the vent.

PROTECTION AGAINST BLOCKAGE OR OBSTRUCTION

The chimney or vent exit design must prevent any possibility of blockage by snow or any other obstruction.

VENTILATING HOODS AND EXHAUST SYSTEMS

Ventilating hoods or exhaust systems may be used to vent atmospheric gas appliances. When these are used, however, such mechanical exhaust devices must be electrically interlocked with all appliances on the vent system. The circuit must prevent the operation of any appliance on the system if the hood or exhaust system is not in operation.

STACK CAPS

EVERY GAS VENT MUST BE SUPPLIED WITH AN APPROVED VENT CAP WHICH WILL PREVENT THE ENTRANCE OF RAIN OR OTHER PRECIPITATION INTO THE VENT. FAILURE TO PROVIDE SUCH A CAP

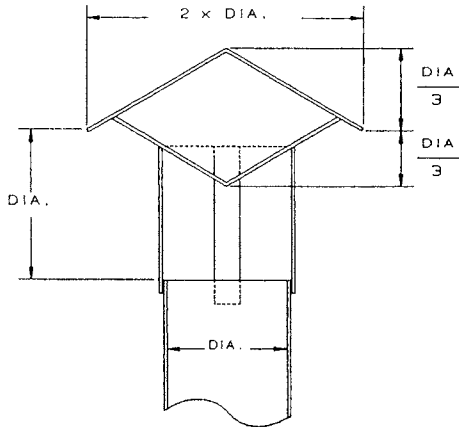


FIG. 1.8.12B: LOW RESISTANCE VENT CAP

MAY CAUSE SEVERE BOILER CORROSION,
COMBUSTION PROBLEMS, OR BOTH.

Listed gas vents must be terminated with a listed cap, approved for use with the particular gas vent.

Listed vent caps or roof assemblies must have a rated venting capacity no less than the vent.

Single wall vents must terminate in an approved cap which does not obstruct the exit. The preferred type of cap for natural draft vented atmospheric boilers is the Briedert Cap. This is because of the protection this cap provides against wind-generated downdrafts.

Where there is no concern of high winds or turbulence at the vent exit, a low resistance conical cap may be used. See Fig. 1.8.12B for typical dimensions. The diameter of this type cap should be twice the vent diameter. The cap must be securely positioned on the vent such as to provide a clearance of one vent diameter above the vent exit.

1.8.10 AUTOMATIC VENT DAMPERS

ONE APPLIANCE ONLY

An automatic vent must be installed such that it serves only one appliance vent - that to which it is properly interlocked.

LISTING REQUIREMENTS

Automatic vent dampers, if used, must be of a listed type.

INSTALLATION

The damper installation must comply with Appendix I, J, or K of the National Fuel Gas Code, NFPA 54. The installation must also comply with the automatic vent damper listing, the damper manufacturer's instructions and all applicable local or state building codes.

AUTOMATIC VENT DAMPERS MUST BE INSTALLED ONLY BY QUALIFIED SERVICE TECHNICIANS. FAILURE TO PROPERLY INSTALL A VENT DAMPER WILL CREATE A SEVERE HAZARD.

PERFORMANCE TEST

The automatic vent damper must be tested after installation to assure its proper and safe operation.

AUTOMATIC VENT DAMPERS MUST BE IN THE OPEN POSITION AT ANY TIME THE APPLIANCE MAIN GAS VALVE IS ENERGIZED.

1.8.14 SIZING OF CHIMNEY AND VENT

IMPORTANT

The flue system calculations which follow in Section 1.8.15 are applicable to double-wall or insulated single wall breechings (vent connectors) and stacks (vents). Do not apply these calculations to uninsulated vent systems.

HIGH ALTITUDES

At altitudes of 2000 feet and higher, atmospheric boilers must be derated. The amount of derate required by the National Fuel Gas Code is 4% per

1000 feet above sea level. Boilers which are shipped from the factory prepared for these altitudes have the gas orifices properly sized for this derate. The altitude and gas Btu content for which the boilers have been constructed is listed on the Equipment List/Submittal Data in the boiler manual. The boilers will also be provided with a label indicating that they have been prepared for high altitude. If a boiler is to be installed at an altitude other than that for which it was factory built, orifices must be

replaced to properly adjust the gas input. Consult the factory or the local Bryan Representative for the proper parts. For the purpose of vent system sizing, assume full input and determine sizing as if at sea level. The derate factor of 4% per 1000 feet above sea level accounts for the increased volume per Btu/hr of flue products at high altitude.

INDUCED DRAFT FANS

Occasionally, the characteristics of an installation

are such that a natural draft vent system will not suffice. In such cases, induced draft may be used. The vent system is then sized with an available "pumping" action equal to the total theoretical draft plus the static pressure capability of the induced draft fan. This will result in a smaller diameter vent than for a natural draft system. Sizing of induced draft fans should be done using the recommendations of the fan manufacturer and the ASHRAE Handbook.

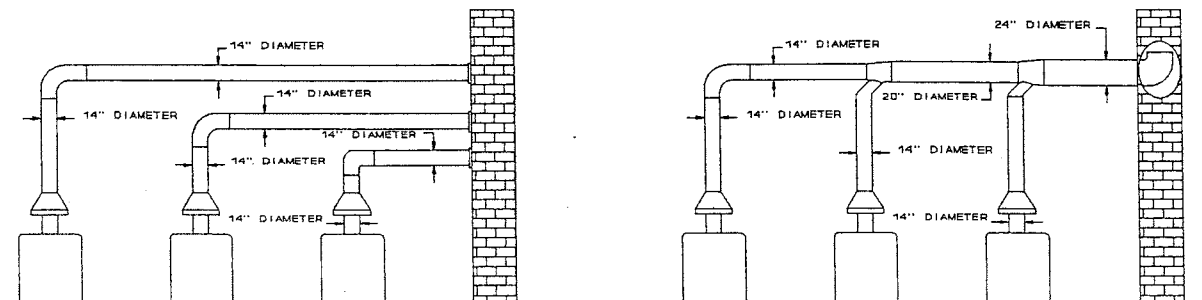


FIG. 1.8.14: SUGGESTED APPLIANCE VENTING PROCEDURE

MULTIPLE APPLIANCE INSTALLATIONS

Bryan recommends that boilers and other gas appliances be individually vented when possible. See figure 1.8.14A. Individual venting provides better draft control and fuel efficiency, and is less likely to cause condensation in the system. When individual venting is not possible, boilers may be vented to a common breeching (vent connector). See Fig. 1.8.14B for recommended design of such a system. Note that connections of individual boiler or appliance vents into the common breeching should

be done with 45° elbows and not by "bullheading" directly into the vent connector at 90° angles. "Bullhead" connections generally cause excessive turbulence and poor draft conditions. On vent connectors serving multiple appliances, the diameter of the piping should be increased at each appliance's entrance so as to provide a relatively constant flue gas velocity through the vent system. Using a constant diameter breeching will often result in poor draft at the outermost appliances.

1.8.12 QUICK SELECTION FOR VENT SIZING CHARTS

GENERAL

These charts were generated using the procedure described in Chapter 26 of the ASHRAE Equipment Handbook (1979). The results are consistent with those of the National Fuel Gas Code.

The sizing herein is applicable to vent systems utilizing double wall listed Type B vent as well as single wall insulated vent with insulation equivalent to double wall insulating value.

This sizing procedure is not applicable to vent systems utilizing single wall uninsulated vents or vent connectors.

The sizing information given herein is intended as a general recommendation only. Vent sizing and installation must comply with local codes.

The responsibility for assurance of such compliance is that of the system designer and/or the system installer. All sizing and installation must be checked against such local requirements.

RECTANGULAR VENTS

Vent systems may be rectangular as well as circular. Table 1.8.15F has been provided to give the circular equivalent of rectangular duct. These equivalent values account for the higher pressure drop per cross section area for rectangular ducts.

STEP 1: EQUIVALENT INPUT - DRAFT CONTROL FACTOR

Determine the boiler (system) Draft Control Factor, F_1 , from Table 1.8.15A.

Determine the boiler (or total system) input in MBH. This is done by dividing the boiler (or total

system) input in Btu/hr by 1000.

Multiply the total input times factor F_1 .

The equivalent input, I , (without altitude correction) is then:

$$I = MBH \times F_1 \quad \text{eq. 15A}$$

TABLE 1.8.15A: DRAFT CONTROL FACTOR F_1 Multiply factor time input in MBH	
Boiler Type	Factor, F_1
Atmospheric with Draft Hood	1.000
Atmospheric with Barometric	0.741
Forced Draft Gas or Oil	0.602

STEP 2: EQUIVALENT INPUT - ALTITUDE FACTOR

Determine the boiler (system) Altitude Correction Factor, F_2 , from Table 1.8.15B.

Multiply the boiler (or total system) input times factors, F_2 and F_1 for the equivalent input.

The altitude correction factor, F_2 for atmospheric boilers is equal to 1, because their inputs are already derated for altitude.

The equivalent input, I , with corrections for altitude is:

$$I = MBH \times F_1 \times F_2 \quad \text{eq. 15B}$$

Table 1.8.15B ALTITUDE CORRECTION FACTOR, F_2 (Multiple factor times sea level input, MBH)			
Altitude (ft)	Factor, F_2	Altitude (ft)	Factor, F_2
0 to 1999	1.00		
2000	1.075	6000	1.247
2500	1.096	6500	1.272
3000	1.116	7000	1.296
3500	1.136	7500	1.322
4000	1.157	8000	1.346
4500	1.180	8500	1.373
5000	1.202	9000	1.399
5500	1.25	10000	1.453

STEP 3: SELECT TRIAL DIAMETER

Determine the NET STACK HEIGHT for the vent. (The net stack height is the vertical distance from the top of the atmospheric boiler draft control to the top of the stack. On forced draft boilers it is the distance from the boiler flue connection to the top of the stack.)

Find the vent of TRIAL STACK DIAMETER. Enter Table 1.8.15C at the Net Stack Height column equal to the system net stack height. Then

proceed down the column to the input which is just larger than the equivalent to an input which is just larger than the Equivalent Input of the system. Read the Trial Stack Diameter in the left hand column.

NOTE: This is only a trial diameter. Proceed to Step 4 to calculate the system k-factor to determine the actual stack diameter required.

STEP 4: CALCULATE SYSTEM K-FACTOR

The system "k-factor" accounts for the pressure drop through fittings and vent piping. It is calculated by adding up the individual k-factors for each of the fittings plus the k-factor for the vent pipe(s).

From Table 1.8.15D find the k-factors for each of the elbows, tee fittings, draft regulators, etc. in the system. Then calculate the vent piping k-factor from the formula:

$$k_{\text{piping}} = 0.4 \times L/D \quad \text{eq. 15C}$$

L = total length of piping in feet

D = diameter of piping in inches

Add all the k-factors together to determine the total system k-factor:

$$k_{\text{total}} = k_{\text{piping}} + k_{\text{fittings}} \quad \text{eq. 15D}$$

NOTE: On multiple appliance systems, multiply the k-factor times 1.5. This is required only on atmospheric boiler vent systems, not on forced draft systems.

Vertical Draft Hood	1.50	Low Resistance Cap	
Barometric Draft Control	0.50		
Round Elbow, 90°	0.75	Converging Exit Cone	$(D1/D2)^4 - 1$ (D1 is larger than D2)
Round Elbow, 45°	0.30		
Tee or 90° Breeching	1.25	Tapered Reducer	$1 - (D2/D1)^4$ (D1 is larger than D2)
Y Breeching	0.75		

STEP 5: CORRECT EQUIVALENT INPUT FOR SYSTEM K-FACTOR

The capacities listed in Table 1.8.15C are based on a system k-factor equal to 7.5. For any other k-factor, the vent capacity must be adjusted. This is accomplished by adjusting the equivalent input for the system using a k-factor correction factor, designated F_3 .

Refer to Table 1.8.15E for the equivalent input correction factor which applies to the k-factor calculated in Step 4. This factor is designated as F_3 .

Multiply the equivalent input calculated in Step 2 times factor F_3 from Table 1.8.15E. This step will yield a new equivalent input, I:

$$I = MBH \times F_1 \times F_2 \times F_3 \quad \text{eq. 15E}$$

Using this adjusted equivalent input, check the stack diameter by following Steps 2 thru 3 again. If the stack diameter remains the same, the sizing is complete. If not, redo Steps 4 thru 5 etc. until an acceptable result is achieved.

K- Factor F_3		K- Factor F_3		K- Factor F_3		K- Factor F_3		K- Factor F_3	
1.00	0.37	5.50	0.86	10.00	1.15	14.50	1.39	19.00	1.59
1.50	0.45	6.00	0.89	10.50	1.18	15.00	1.41	19.50	1.61
2.00	0.52	6.50	0.93	11.00	1.21	15.50	1.44	20.00	1.63
2.50	0.58	7.00	0.97	11.50	1.24	16.00	1.46	20.50	1.65
3.00	0.63	7.50	1.00	12.00	1.26	16.50	1.48	21.00	1.67
3.50	0.68	8.00	1.03	12.50	1.29	17.0	1.51	21.50	1.69
4.00	0.73	8.50	1.06	13.00	1.32	17.50	1.53	22.00	1.71
4.50	0.77	9.00	1.10	13.50	1.34	18.00	1.55	22.50	1.73
5.00	0.82	9.50	1.13	14.00	1.37	18.50	1.57	23.00	1.75

**Table 1.8.15C: Approximate Stack Capacities (MBH)
 (Based on Atmospheric Boiler with Draft Hood)**

Stack Diam. (in.)	5	7	10	12	15	20	25	30	35	40	45	50	60	70	80	90	100	125	150	200
6	100	120	140	150	170	200	220	250	270	280	300	320	350	380	400	430	450	510	550	640
7	130	160	190	210	240	270	310	340	360	390	410	430	480	510	550	580	620	690	760	870
8	180	210	250	280	310	360	400	440	480	510	540	570	620	670	720	760	810	900	990	1140
9	220	270	320	350	390	450	510	560	600	640	680	720	790	850	910	970	1020	1140	1250	1450
10	280	330	400	430	490	560	630	690	750	800	850	890	980	1060	1130	1200	1260	1410	1550	1790
12	400	480	570	630	700	810	910	1000	1080	1150	1220	1290	1410	1520	1630	1730	1820	2040	2330	2580
14	550	650	780	860	960	1110	1240	1360	1470	1570	1660	1750	1920	2070	2220	2350	2480	2770	3040	3510
16	720	850	1020	1120	1250	1450	1620	1770	1920	2050	2170	2290	2510	2710	2900	3070	3240	3620	3970	4590
18	910	1080	1290	1420	1590	1830	2050	2250	2430	2590	2750	2900	3180	3430	3670	3890	4100	4590	5030	5810
20	1130	1340	1600	1750	1960	2260	2530	2770	3000	3200	3400	3580	3920	4240	4530	4810	5070	5670	6210	7170
22	1370	1620	1940	2120	2370	2740	3060	3360	3630	3880	4110	4340	4750	5130	5480	5820	6130	6860	7510	8680
24	1630	1930	2300	2530	2820	3260	3650	4000	4320	4610	4900	5160	5650	6110	6530	6920	7300	8160	8940	10330
26	1910	2260	2710	2960	3320	3830	4280	4690	5070	5420	5750	6060	6640	7170	7660	8130	8570	9580	10490	12120
28	2220	2630	3140	3440	3850	4440	4970	5440	5880	6280	6660	7030	7700	8310	8890	9430	9940	11110	12170	14060
30	2550	3010	3600	3950	4420	5100	5700	6250	6750	7210	7650	8070	8840	9540	10200	10820	11410	12760	13970	16140
32	2900	3430	4100	4490	5020	5800	6490	7110	7680	8210	8710	9180	10050	10860	11610	12310	12980	14510	15900	18360
34	3270	3870	4630	5070	5670	6550	7320	8020	8670	9270	9830	10360	11350	12260	13110	13900	14650	16390	17950	20730
36	3670	4340	5190	5670	6360	7350	8210	9000	9720	10390	11020	11620	12730	13750	14700	15590	16430	18370	20120	23240
48	6530	7730	9230	10120	11310	13060	14600	16000	17280	18470	19600	20660	22630	24400	26130	27710	29210	32660	35780	41320
54	8260	9780	11690	12810	14320	16530	18480	20250	21870	23380	24800	26140	28640	30930	33070	35080	36970	41340	45290	52290
60	10200	12070	14430	15810	17680	20410	22820	25000	27000	28870	30620	32280	35360	38190	40830	43310	45650	51040	55910	64560
72	14700	17590	20780	22770	25460	29400	32870	36000	38890	41570	44100	46480	50920	55000	58800	62360	65740	73500	80510	92970

NOTE: The above vent input capacities in MBH (thousands of Btu/hr) are sea level ratings for double wall or insulated vents allowing for a system K factor of 7.5. Apply the correction factors for altitude, other k-factors and boiler draft control correction factors.

Table 1.8.15F: CIRCULAR EQUIVALENTS OF RECTANGULAR BREECHINGS & STACKS

WIDTH (INCHES)	HEIGHT (INCHES)																	
	6	8	10	12	14	16	18	20	22	24	26	28	30	36	42	48	54	60
6	7	8	8	9	10	10	11	11	12	12	13	13	14	15	16	17	17	18
8	8	9	10	11	11	12	13	13	14	15	15	16	16	15	19	20	21	21
10	8	10	11	12	13	14	15	15	16	17	17	18	18	17	21	22	23	24
12	9	11	12	13	14	15	16	17	18	18	19	20	20	20	23	25	26	27
14	10	11	13	14	15	16	17	18	19	20	21	21	22	22	26	27	29	30
16	10	12	14	15	16	17	19	20	20	21	22	23	24	24	28	29	31	32
18	11	13	15	16	17	19	20	21	23	23	24	24	25	26	29	31	33	34
20	11	13	15	17	18	20	21	22	24	24	25	26	27	27	31	33	35	37
22	12	14	16	18	19	20	22	23	25	25	26	27	28	29	33	35	37	39
24	12	15	17	18	20	21	23	24	26	26	27	28	29	31	34	37	39	40
26	13	15	17	19	21	22	24	25	27	27	28	29	31	32	36	38	40	42
28	13	16	18	20	21	23	24	26	28	28	29	31	32	35	37	40	42	44
30	14	16	18	20	22	24	25	27	31	29	31	32	33	36	39	41	44	46
36	15	17	20	22	24	26	27	29	33	32	33	35	36	39	42	45	48	50
42	16	19	21	23	26	28	29	31	35	34	36	37	39	42	46	49	52	55
48	17	20	22	25	27	29	31	33	37	37	38	40	41	45	49	52	56	59
54	17	21	23	26	29	31	33	35	39	39	40	42	44	48	52	56	59	62
60	18	21	24	27	30	32	34	37	39	40	42	44	46	50	55	59	62	66

1.8.16 SPECIAL APPLICATIONS

FLUE GAS ECONOMIZERS

When applying flue gas economizers, care must be taken to assure that:

1. Proper draft must be maintained. This requires that the gas side pressure drop be considered and that the economizer exchanger must be designed so as to allow cleaning.
2. The vent system materials must be considered, regarding resistance from corrosion, which might result from the lower flue gas temperature.
3. In general, it is recommended that the boiler manufacturer be consulted when a flue gas economizer is to be added.

HIGH EFFICIENCY APPLIANCES

High efficiency appliances require special consideration in vent design because of the reduced stack gas temperatures. Under no circumstances can a condensing type appliance be vented into the

same vent system with other appliances. The vent system for such appliances must be provided by or specified specifically by the manufacturer of the condensing appliance.

High efficiency non-condensing appliances should generally be installed only on vent systems that are resistant to corrosion from flue gas condensate. This generally requires stainless steel vent construction.

1.9 BURNERS AND GAS TRAIN - FORCED DRAFT BOILERS

GENERAL

Refer to separate manual on the forced draft burner for start-up and adjustment procedures. Do not attempt to start burner when excess oil has accumulated, or when the combustion chamber is full of gas, or if chamber is very hot.

FUEL CONNECTIONS

Gas supply connections must comply with the National Fuel Gas Code (NFPA54). Oil supply connections must comply with NFPA31. Any additional local or state codes must also be adhered to.

Oil supply lines must be sized for the circulation rate of the burner pump. This is referred to as the suction gear capacity of the pump. If a transfer pump is used, it must have a pumping capacity no less than the total suction gear capacity of all burner pumps on the system. Refer to Burner Manual for the suction gear capacity of standard oil pumps. Two-pipe oil systems are recommended in all cases, although a one-pipe system might be acceptable on smaller boilers (under 6 gph). Two-pipe systems tend to have fewer problems with air entrainment in the oil. Air in the oil will cause nuisance problems and delayed ignition.

1.10 PROCEDURES TO BE FOLLOWED BEFORE PLACING BOILER IN OPERATION

1.10.1 HYDROSTATIC TEST OF BOILERS AND SYSTEM

After completing the boiler and burner installation, the boiler connections, fittings, attachments and adjacent piping must be inspected for leaks by filling the unit with water. The pressure should be gradually increased to a pressure just below the setting of boiler safety relief valve(s).

Remove the boiler tube access panels (see dimensional drawing in this manual). Inspect the tube to header joints to be certain that all tube fittings are sealed. This is necessary because,

although the boiler is hydrostatically tested at the factory, minor leaks in fittings and at attachments can develop from shipping vibration or from installation procedures. It is often necessary to retighten such fittings after the installation and after the boiler has been operated for some time. Replace tube access panels before proceeding to start boiler.

1.10.2 TEST OF GAS PIPING

Reference gas system test under Section 1.5, "Gas Connection", in this manual.

Section 2

START-UP AND OPERATION WATER BOILERS

WARNING:

IMPROPER SERVICING AND START-UP OF THIS EQUIPMENT MAY CREATE A POTENTIAL HAZARD TO EQUIPMENT AND TO OPERATORS OR PERSONS IN THE BUILDING.

SERVICING AND START-UP MUST BE DONE ONLY BY FULLY TRAINED AND QUALIFIED PERSONNEL.

CAUTION:

BEFORE DISCONNECTING OR OPENING ANY FUEL LINE, OR BEFORE CLEANING OR REPLACING PARTS OF ANY KIND TAKE THE FOLLOWING PRECAUTIONS:

Turn OFF the main fuel shutoff valves, including the pilot gas cock if applicable. If the burner is a multiple fuel type, shut OFF all fuel supplies.

Turn OFF all electrical disconnects to the burner, boiler and any other equipment or systems electrically interlocked with the burner or boiler.

All cover plates, enclosures, and guards must be in place at all times except during maintenance and servicing.

2.1 FIRING RATE ADJUSTMENT - ATMOSPHERIC GAS UNITS

2.1.1 The following procedures must be followed carefully before putting the boiler in operation. Failure to do so will present severe hazards to equipment, operating personnel and building occupants.

2.1.2 ADJUST PILOT BURNER

Carefully follow the instructions on the Lighting Instructions sheet in the boiler manual for the proper adjustment of the pilot burner. This is absolutely essential before attempting to adjust the main burner.

2.1.3 ADJUST BOILER INPUT(S)

The boiler input must be adjusted for both maximum and minimum input values which are listed on the boiler nameplate on the boiler. First adjust the maximum input rating using the method described in the Lighting Instructions in the Boiler Manual. Refer to the following information for the

adjustment of the minimum input. To determine which firing rate system is used, see the boiler Equipment List and Wiring Diagram.

2.1.4 ADJUST BOILER MINIMUM INPUT

After setting the correct maximum input as described in the Lighting Instructions, proceed to adjust the minimum input as outlined below. This applies only to those boilers which are designed and equipped for two-stage (High/Low/Off) firing or modulation. On those boilers which are equipped for ON/OFF firing only, no minimum input adjustment is required. NOTE: the low firing rate input is adjustable only on boilers equipped with two-stage or modulating motorized gas valves (V4055, V9055, or AH4 actuators) or with motor-operated modulating butterfly gas valves. The other two-stage firing systems (VR850 or VR852 combination valves or dual diaphragm valve type bypass systems) have a non-adjustable minimum input rate.

NOTE

THE LOW FIRE ADJUSTMENT SHOULD RESULT IN A GAS PRESSURE ON THE BURNER MANIFOLD EQUAL TO 1" WATER COLUMN FOR NATURAL GAS AND 2.5" FOR PROPANE GAS.

2.1.5 MINIMUM INPUT ADJUSTMENT - COMBINATION GAS VALVES (VR850 OR VR852)

The minimum input on these gas valves is NOT adjustable. The maximum input must be properly set as outlined in Lighting Instructions. See the manufacturer's instructions on the VR850 or VR852 included in the Boiler Manual for further information.

2.1.6 MINIMUM INPUT ADJUSTMENT - DUAL DIAPHRAGM GAS VALVE HIGH/LOW BY-PASS SYSTEM

The minimum input on this control system is NOT adjustable. The maximum input must be properly set as outlined in Lighting Instructions. This system consists of two V48A (120 volt coil) or two V88A (24 volts coil) diaphragm gas valves which are piped in parallel. The minimum input is controlled by an orifice plug installed in a coupling in the by-pass piping (low fire valve piping) sized for approximately 1" w.c. manifold pressure at low fire natural gas (2.5" w.c. if propane gas). When the high fire gas valve is not activated, gas flows only through the bypass piping. When the high fire gas valve is activated, gas will flow through both valves achieving full input.

2.2 FIRING RATE ADJUSTMENT - GAS METER READINGS

2.2.1 CHECKING BURNER INPUT

The burner input rate can be checked by taking readings from the gas meter. Please note checking the rate with a meter is the only way to be sure of input. Manifold readings are only an approximate value and may vary from unit to unit.

In order to obtain accurate data, there must be no other appliances using gas from the same meter while the burner input rate is being checked. The test hand on the meter should be timed for several revolutions. The input rate in cubic feet per hour is

calculated from this timing. The method is described in the Lighting Instructions. If the meter is not calibrated for gas temperature and pressure, correction factors must be applied to determine correct rate in SCFH (standard cubic feet per hour). Consult the National Fuel Gas Code (ANSI Z223.1, NFPA 54) or the local gas utility for further information. Refer to Table 2.2A for correction factors for the gas pressure at the meter. Refer to Table 2.2B for the gas temperature correction factors.

Table 2.2A - Pressure Correction		Table 2.2B - Temperature Correction	
Gas Pressure at Meter	Correction Factor	Gas Temp. at Meter	Correction Factor
7" w.c.	1.017	40 °F	0.920
14" w.c.	1.034	50 °F	0.902
21" w.c.	1.051	60 °F	0.885
1 psig	1.061	70 °F	0.868
2 psig	1.136	80 °F	0.852
5 psig	1.340	90 °F	0.836

2.3 SAFETY SHUT-OFF DEVICES (FLAME SUPERVISION)

2.3.1 FLAME SUPERVISORY SYSTEM

The boiler is equipped with a flame supervisory system, either the Thermocouple type (such as a combination gas valve or a pilotstat) or electronic type (such as the RA890, or RM7895). The purpose of this device is to detect the main or pilot flame, depending on the type of device, and control the gas valves accordingly. The device must be checked for proper operation. See Lighting Instructions in the Boiler Manual for the correct procedure. The flame supervisory system must be tested to assure that it will shut off the main gas valves in case of a

flame loss. In addition to the information given in Lighting Instructions, operating sequence and troubleshooting information may be found in the manufacturer's instructions in the Boiler manual.

2.3.2 AUTOMATIC (ELECTRIC) IGNITION SYSTEMS

On boilers equipped with automatic electrically ignited pilots, follow the procedures described in Lighting Instructions and test the controls for proper operation.

2.4 LIMIT CIRCUIT CUT-OUT TEST

2.4.1 PROTECTIVE DEVICES

All operating and limit controls, and low water cutoffs must be tested for proper operation.

2.4.2 WATER TEMPERATURE OPERATING CONTROL

The water temperature in the boiler is regulated by the Boiler Operator. This is a temperature control which senses the water temperature and turns the boiler on and off accordingly. This control must be operationally tested. Turn the temperature setting on the control to a temperature less than the boiler temperature (as shown on the boiler temperature gauge). The control should turn the boiler off. Restore the control setting to normal. The boiler should cycle on.

2.4.3 OUTDOOR RESET CONTROLS

Some boiler control systems also include an outdoor reset control. This control increases the boiler operating temperature with a decrease in outdoor air temperature, and decreases the boiler operating temperature with a rise in the outdoor temperature. For gas fired boilers, it is essential that the minimum operating temperature of the boiler never drop below 130°F, even at 70°F outdoor temperature. Reference Section 3.4. Also refer to the literature on the outdoor reset control for further information.

2.4.4 HIGH LIMIT CONTROL

At least one additional temperature control is provided as the high limit control. It is set at a temperature above the operator to act as a back-up should the operator fail. The high limit control must

be operationally tested. With the boiler operating, decrease the temperature setting of the Limit Control below the current temperature of the boiler. The boiler should cycle off. Restore the high limit control setting to normal (pushing the reset button if it is a manual reset type). The boiler should now cycle on.

2.4.5 POOL TEMPERATURE CONTROL

On swimming pool heating boilers, an additional temperature control is installed with its sensing bulb in the pool circulation line (sensing the water temperature coming from the pool) to cycle the boiler, so as to control the pool water temperature. Test this control by reducing the temperature of the control below the temperature of the pool water. The boiler should cycle off. Restore the setting of the control and the boiler should cycle on.

2.4.6 COIL LIMIT CONTROL

On indirect water heating boilers, an additional temperature limit control is installed to limit the temperature leaving the heat exchanger. It must be tested in the same manner as the boiler High Limit control.

2.4.7 LOW WATER CUT-OFF(S)

Most boiler are supplied with at least one float or electric probe type control, designed to sense the level of the water in the boiler. It operates to shut off the boiler if the water level drops below its sensing level. The low water cut-off controls must be operationally tested by manually lowering the boiler water level (by opening the drain valve). The boiler should cycle off when the water level drops

below the control point of the low water cut-off. When the water level is restored, the boiler should cycle back on. Depress the manual reset button of devices which require manual reset in order to restore the boiler to operation. Carefully read the enclosed literature on the low water cut-off controls, particularly installing, operating and servicing.

2.4.8 COMBINATION LOW WATER CUT-OFF & FEEDER

The low water cut-off/feeder supplied with some boilers serves as a low water cut-off (see above) and also causes make-up water to be added to the boiler, should the water level drop below its control

point. This type of control must be operationally tested as described in Section 2.4.1 and also to assure that the make-up water is introduced as needed. Carefully read the enclosed literature on the Low Water Cut-off controls, particularly installing, operating and servicing.

2.4.9 OTHER CONTROLS

Additional controls, as required for the particular installation, may also be provided. Refer to the literature on these devices included in the Boiler Manual. All such devices must be operationally tested to assure reliable operation of the boiler and system.

2.5 RECOMMENDED DRAFT AND COMBUSTION READINGS

ATMOSPHERIC GAS-FIRED BOILERS					
BOILER SERIES	DRAFT AT BOILER OUTLET (i.w.c.)	CO ₂ @ HIGH FIRE	O ₂ @ HIGH FIRE	CO (ppm)	SMOKE NO.
F	-0.01 TO -0.04	7.5 TO 8.5 %	5.0 TO 7.5 %	< 400	0
CL	-0.02 TO -0.04	7.5 TO 9.0 %	4.8 TO 7.5 %	< 400	0
K	-0.02 TO -0.06	8.0 TO 9.5 %	4.0 TO 6.7 %	< 400	0

FORCED DRAFT GAS FIRED BOILERS					
BOILER SERIES	DRAFT AT BOILER OUTLET (i.w.c.)	CO ₂ @ HIGH FIRE	O ₂ @ HIGH FIRE	CO (ppm)	SMOKE NO.
D	-0.01 TO -0.04	7.5 TO 9.5 %	4.0 TO 7.5 %	< 400	0
HED	-0.01 TO -0.04	7.5 TO 9.5 %	4.0 TO 7.5 %	< 400	0
CL	0.0 TO -0.04	8.5 TO 10.0 %	3.2 TO 5.0 %	< 400	0
HECL	0.0 TO -0.06	8.5 TO 10.0 %	3.2 TO 5.0 %	< 400	0
RV & RW	+0.50 TO -0.10	9.0 TO 10.0 %	3.2 TO 5.0 %	< 400	0
AB	+0.25 TO -0.06	9.0 TO 10.0 %	3.2 TO 5.0 %	< 400	0

FORCED DRAFT OIL FIRED BOILERS					
BOILER SERIES	DRAFT AT BOILER OUTLET (i.w.c.)	CO ₂ @ HIGH FIRE	O ₂ @ HIGH FIRE	CO (ppm)	SMOKE NO.
D	-0.01 TO -0.04	10.0 TO 12.0 %	4.0 TO 7.2 %	< 400	0
CL	0.0 TO -0.04	10.0 TO 12.0 %	4.0 TO 7.2 %	< 400	0
RV & RW	+0.50 TO -0.10	11.5 TO 12.5 %	3.7 TO 5.0 %	< 400	0
AB	+0.25 TO -0.06	11.5 TO 12.5 %	3.7 TO 5.0 %	< 400	0

NOTE: THE VALUES FOR CO₂ AND O₂ ARE SHOWN FOR HIGH FIRE ONLY. THE VALUES FOR LOW FIRE OR MID RANGE WILL GENERALLY BE LOWER, PARTICULARLY FOR ATMOSPHERIC GAS-FIRED BOILERS. DRAFT SHOULD BE MEASURED APPROXIMATELY 24" FROM TOP OF BOILER, BEFORE ANY DRAFT CONTROL.

2.5.1 DRAFT ADJUSTMENT - ATMOSPHERIC GAS BOILERS

Refer to Section 1.8.6 for the adjustment method for barometric dampers. Adjust the damper so as to yield a draft which results in values of CO₂ and CO within the allowable limits listed above in the appropriate table.

Draft adjustments are generally not required for boilers which are equipped with draft diverters. The diverter must be installed without modification. Combustion readings are required, however, to assure that the boiler operation is both safe and efficient.

Draft measurement should preferably be made with an inclined tube manometer. If a draft gauge is not available, check to be sure the flue gases are being carried up the venting system by passing a lighted taper or match around the edge of the draft hood relief opening (or barometric). If the venting system is operating correctly, the match flame will be drawn toward the draft hood relief opening. Otherwise the products of combustion will tend to push the flame and extinguish it.

CAUTION

IF THE PRODUCTS OF COMBUSTION ARE BEING EMITTED INTO THE ROOM (VENTING SYSTEM NOT OPERATING CORRECTLY), THE BOILER MUST NOT BE OPERATED UNTIL PROPER ADJUSTMENTS OR REPAIRS ARE MADE TO ASSURE ADEQUATE DRAFT THROUGH THE VENTING SYSTEM.

2.5.2 DRAFT ADJUSTMENT -FORCED DRAFT BOILERS

Draft adjustments are generally not necessary on forced draft boilers. The draft must be measured as part of the start-up procedure. The measured draft at the boiler flue should fall within the recommended range specified in the appropriate table.

On some installations, the draft may be excessive due to a high chimney. In these cases, the draft should be adjusted to within the recommended range specified in the appropriate table above.

This may be done using a barometric damper, a restrictor, or a locking quadrant damper. Such devices must be installed and adjusted by a qualified technician.

procedures for burner adjustments. The burner must be adjusted for a smooth lightoff. Combustion parameters should be within the appropriate range specified in the above table. In no case should the level of CO or the smoke spot reading be allowed to exceed the recommended limit.

2.5.3 COMBUSTION ADJUSTMENTS - FORCED DRAFT BURNERS

Refer to the separate burner manual for the

2.6 OPERATING INSTRUCTIONS

2.6.1 FAMILIARIZATION WITH MANUAL(S)

The user of the boiler must familiarize himself with this manual (and the burner manual for those units which are forced draft) to be sure he is prepared to operate and maintain the boiler properly.

The operating instructions should be kept in the pocket in the boiler for F Series boilers or adjacent to the boiler for all others.

READ THE MANUAL BEFORE ATTEMPTING A START UP.

2.7 MAINTENANCE SCHEDULE

2.7.1 POSTING SCHEDULE

Post a maintenance schedule in accordance with the recommendations in this manual. A copy of a typical schedule is included in this manual.

Section 3

CARE AND MAINTENANCE WATER BOILERS

CAUTION:

- The boiler area should be kept free of combustible materials, gasoline and other flammable liquids.
- The boiler and venting system must be kept free of obstructions of the air louvers and draft hood relief openings.
- The following procedures must be conducted as outlined to assure safe operation of the boiler.
- All cover plates, enclosures, and guards must be in place at all times, except during maintenance and servicing.

3.1 CLEANING THE BOILER AND SYSTEM - NEW SYSTEMS

PRE-BOIL OUT FLUSHING OF SYSTEM

Much of the dirt and contamination in a new hot water system can be flushed out before the boil out of the system. First, flush the system of waste with clear water. The boiler and circulating pumps must be isolated through the successive zones of the system to waste, carrying chips, dirt, pipe joint compound, etc. with it. Follow with a chemical flush. The removal of pipe chips and other debris from the system before opening the isolation valves to the boiler and pumps will help to protect this equipment from damage by such debris.

In combination with system contamination, bacteria from ground water boiler water may produce objectionable odors, sometimes resembling natural gas. It is important to keep these fumes from air intakes which would distribute them throughout the building.

BOIL OUT PROCEDURE

The boil out of the boiler and system is neither difficult nor expensive. The chemicals needed for cleaning are readily available. Trisodium phosphate, and sodium hydroxide (lye) are the most commonly used chemicals. Use only one type of solution in the system. The amount of chemical required will vary according to conditions, but one pound per fifty gallons of water is suggested.

Fill the system with this solution, venting all air. Then, with the circulating pump running, bring the

system to design or operating temperature. After circulating water for two to three hours, the system should be drained completely, and refilled with fresh, softened water. Usually enough of the cleaning solution will adhere to the piping to result in an alkaline solution satisfactory for operation. A pH reading between 7 and 8 is preferred. If necessary, to increase the pH, a small amount of cleaner may be added.

IMPORTANT

The boil out procedure outlined must be performed by, or under the direct supervision of, a qualified technician. The chemicals used present a hazard of burns and physical injury if mishandled. Always use suitable face mask, goggles, protective gloves and garments when handling caustic chemicals. Do not permit the chemical to come into contact with skin or clothing. Always follow the safety precautions on the container's label. Add chemicals slowly and in small amounts to prevent excessive heat and agitation.

DRAINING THE SYSTEM

A clean neutral hot water system should not be drained, except for an emergency or when unavoidable for servicing of equipment. See Section 3.3 for water treatment required when refilling.

3.2 REPLACEMENT BOILER INSTALLATIONS: PROTECTION AGAINST CORROSION & SEDIMENT

CLEAN OR REPLACE ALL SYSTEM PIPING AND HEATING UNITS

Arrange for chemical or mechanical cleaning of the entire system. A chemical treatment company should be consulted for the proper means of any chemical cleaning.

Replace any piping considered to be deteriorated beyond safe or cleanable condition.

Flush the system clean, being certain to isolate the boiler.

DO NOT FLUSH THE SYSTEM THROUGH THE BOILER.

NOTE: For some old systems, there is a reluctance to clean the piping because of possible leaks occurring in badly corroded lines. Should the customer refuse cleaning, it is necessary to install filtration equipment. Install either a fibrous filter or a centrifugal filter in the boiler return piping. This will collect and remove sediment from the system.

A booster pump may be required to overcome the additional pressure drop introduced in the line by the filter. When filling the system, provide chemical treatment as outlined in Section 3.3.

CAUTION

Failure to properly clean the system or to install mechanical sediment removal equipment can result in tube blockage and severe corrosion plus damage to pumps, controls, and air removal devices.

Inspect, repair as necessary, or replace system air control devices.

Install gauge glasses on air expansion tanks and install a tank fitting in the system connection to the tank.

Install a strainer in boiler return piping.

3.3 BOILER WATER TREATMENT

PURPOSE OF WATER TREATMENT

Water treatment is required for satisfactory operation of the boiler. It must be devised to prevent depositing of scale and corrosion from acids, oxygen and other such harmful elements that may be in the water supply.

A qualified water treatment chemist should be consulted and the water systematically treated.

OBJECTIVES

The basic objectives of water treatment are:

1. Prevent the accumulation of scale and deposits in the boiler.
2. Remove dissolved gases from the water.
3. Protect the boiler against corrosion.
4. Maintain the highest possible boiler fuel efficiency.
5. Decrease the amount of boiler down time from cleaning.

CONTINUOUS MONITORING REQUIRED

Water treatment should be checked and maintained whenever the boiler is operating. The boiler

operator should be sure that the boiler is not operating for long periods without proper water treatment.

It should be noted that water boilers may well need chemical treatment for the first filling plus additional periodic chemical treatment, depending on system water losses and the makeup requirements.

Water treatment may vary from season to season or over a period of time. Therefore, the water treatment procedure should be checked not less than four times a year, and possibly more frequently as the local water conditions may indicate. All water introduced into the boiler should be softened and should include an oxygen scavenger like sodium sulfite. This is required to remove dissolved oxygen from the water. Dissolved oxygen will cause severe boiler tube corrosion.

DRAINING AND REFILLING THE BOILER & SYSTEM

If the system is drained and then refilled, chemical

treatment is essential to treat the raw water. Use only clean, softened water.

3.4 EXTERNAL "FIRE-SIDE" CLEANING

PURPOSE

Carbon (soot) is an insulator and is corrosive. The heating surface of a boiler must be kept free from soot accumulation to keep the boiler operating at its highest efficiency and to avoid damage from corrosion.

SOOT REMOVAL

If the yearly inspection of the boiler tube surfaces reveals a build-up of either soot or rust (usually due to condensation), the tubes should be thoroughly brushed. (Tube cleaning brushes are available from Bryan Steam) To inspect and, if necessary, clean the tube surfaces and flue collector, first remove the tube access panels. Examine the exterior of the tubes for evidence of soot or rust. Using a flashlight, carefully look between the tubes. There should be an unobstructed opening between all tubes, and the top surfaces of the tube must be free from soot accumulation. Also inspect the interior of the flue collector. Brush or vacuum the soot from all surfaces. Be sure to cover atmospheric burners with

a protective cover during cleaning to prevent soot from falling into them.

If the buildup of soot is appreciable, the flue gas venting system must be thoroughly inspected internally as well, and cleaned as necessary.

IMPORTANT

If either soot or condensation is apparent, a boiler service technician should be consulted. The presence of soot indicates poor combustion and possibly hazardous boiler operation. Failure to do so may result in fire, explosion potential, or asphyxiation. A combustion test and burner adjustments should be undertaken at once.

Rust on the tubes indicates that boiler operating temperatures are too low. The set point of the boiler operating control must be no less than 140°F for natural gas or propane firing and 170°F for oil fired boilers. Boilers equipped with outdoor reset must also follow these limits.

3.5 SUGGESTED MAINTENANCE SCHEDULE

DAILY

1. Make visual inspection of gauges, monitors, and indicators and record readings in boiler log.
2. Make visual check of instrument and equipment settings against factory recommended specifications.
3. Check operation of float type low water cutoffs to ensure control is functioning. The lower piping connections of float type level controls should have a suitable blowdown valve piped into a proper drain. This valve should be opened periodically to allow any sludge accumulated in the control to be flushed out. On closed loop water heating systems this should not be often required. Consult manufacturer's instructions.

WEEKLY

1. On units equipped with firing rate control, verify

it is functioning correctly by adjusting control and observing if input changes accordingly.

2. Make visual inspection of igniter and pilot flame. For an atmospheric unit, confirm pilot flame is as shown in this manual (Section 1.9) and that the main burners light off correctly (smoothly) and that the flame is clean and normal. For units with a power burner, check pilot flame signal strength as specified in burner manual.

3. Check pilot and main fuel valves for correct operation. Open limit switch - make audible and visual check - check valve position indicators and check fuel meters, if supplied.

4. Confirm boiler area is free of combustible materials and that there is nothing obstructing air openings, draft hood relief openings, etc.

5. Check combustion safety controls for flame failure and flame signal strength as specified in manufacturer's instructions located at the back of this manual for atmospheric units or in the burner manual for units equipped with a power burner.

6. Check all limit controls as specified in Section 2.4 of this manual.

7. Check float low water cutoff as described above.

MONTHLY

1. Make visual inspection of linkage and proper operation of flue, vent, stack, or outlet dampers. Check draft as specified in Section 2 of this manual.

2. Check float low water cutoff as described above.

3. For those units equipped with a power burner, check low draft, fan, air pressure and damper position interlocks as specified in burner manual.

4. Check high and low gas pressure interlocks. Refer to manufacturer's instructions for correct procedure.

5. Check high and low oil pressure interlocks. Refer to manufacturer's instructions for correct procedure.

ANNUALLY

1. Perform leakage tests on pilot and main gas or main oil fuel valves as specified in manufacturer's instructions.

2. Check operating control, high limit, low fire start control, and low water cutoff as specified in manufacturer's instructions.

4. For units equipped with power burners, check air, atomizing interlock, fuel valve interlock switch, purge switch, burner position interlock, and fuel changeover control, as specified in burner manual.

6. The boiler should be checked at least yearly by the local gas utility company. Particular attention should be paid to the pilot burner safety devices. The pilot burner should be checked to ensure that prompt ignition of all burners occurs as the gas valve opens. Refer to Section 1.9.

7. The flue gas passages and the exterior surfaces of the boiler tubes should be inspected at least annually. Any accumulation of soot or debris should be thoroughly cleaned out.

8. If the yearly inspection of the boiler tube surfaces reveals a build-up of soot (carbon) or rust, the tubes surfaces should be thoroughly brushed. Failure to do so may result in fire or asphyxiation hazards.

9. The boiler pressure vessel and piping should be checked annually.

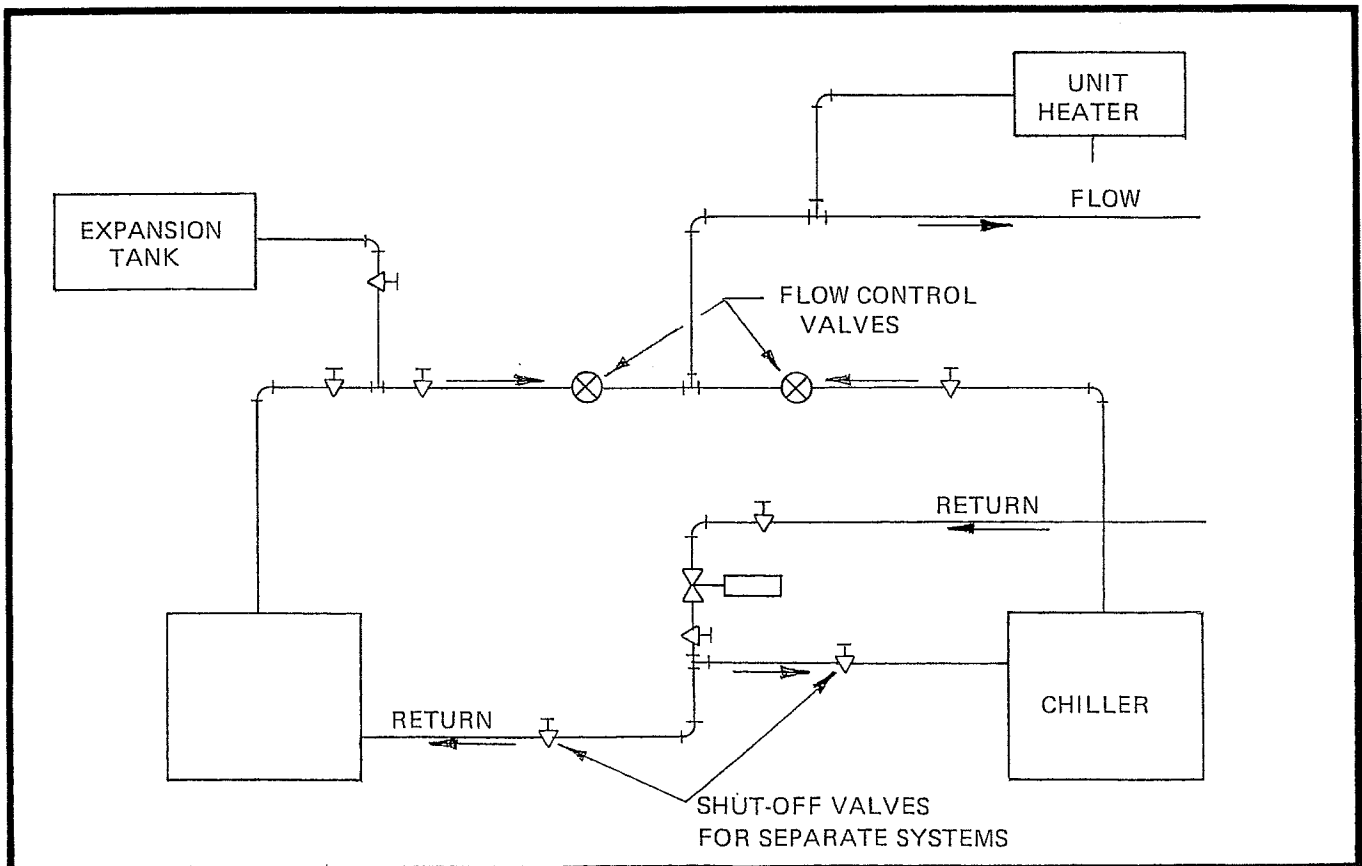
10. Check combustion safety control for pilot turndown and hot refractory hold-in as specified in manufacturer's instructions.

SPECIAL INSTRUCTIONS
FOR BOILERS USED WITH
CHILLED WATER OR AIR HANDLING UNITS
 (PAGE 1)
OR
HEAT PUMP SYSTEMS
 (PAGE 2)

Chilled Water or Air Handling Units:

If and when the boiler is used in conjunction with a chilled water or refrigeration system, it shall be piped and installed so that the chilled medium is piped in parallel with the heating boiler with appropriate valves to prevent the chilled medium from entering the heating boiler.

When hot water heating boilers are connected to heating coils located in air handling units where they may be exposed to refrigerated air circulation, such boiler's piping system shall be equipped with flow control valves or other automatic means to prevent gravity circulation of the boiler water during the cooling cycle.

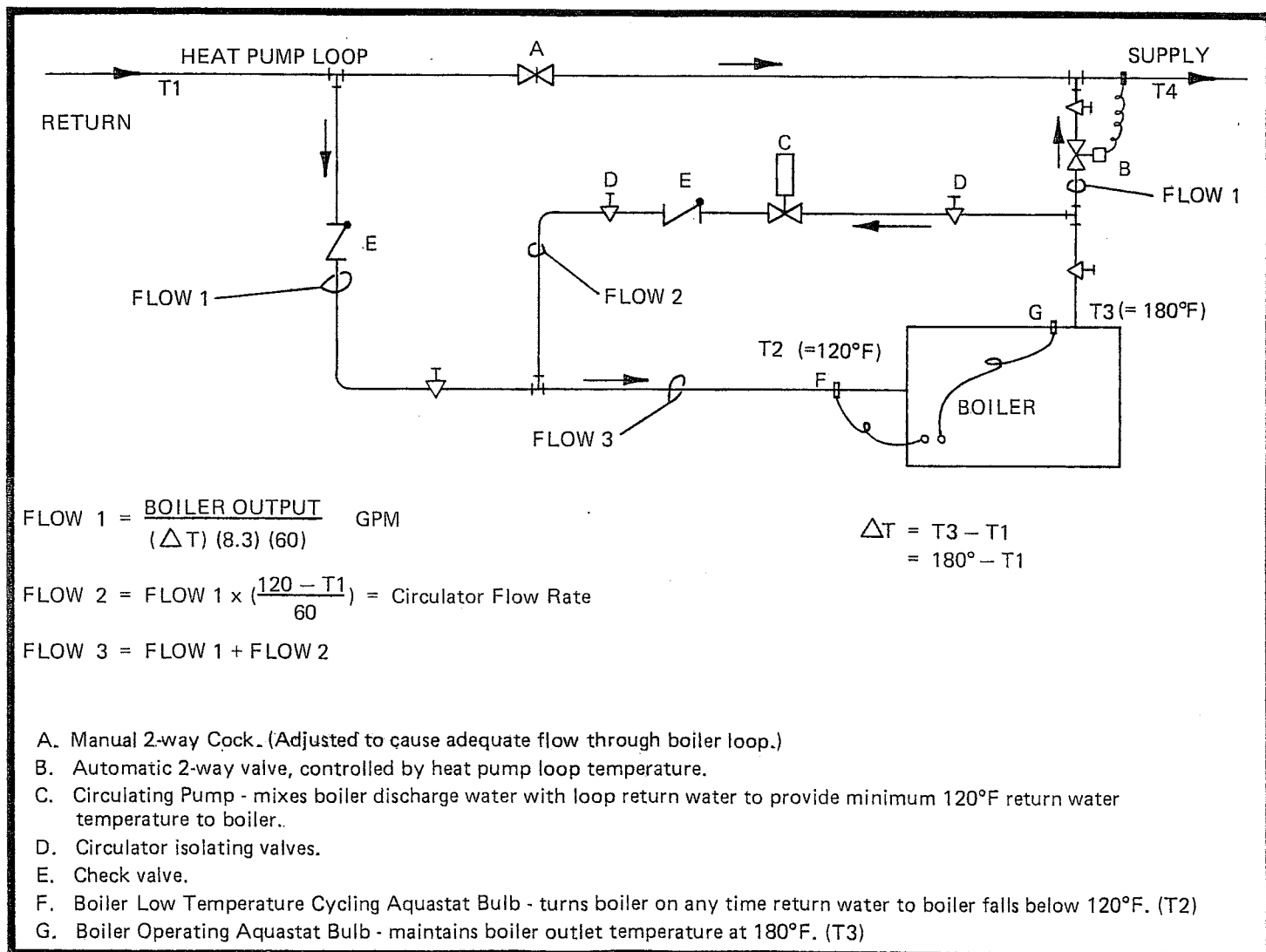


HEAT PUMP SYSTEMS

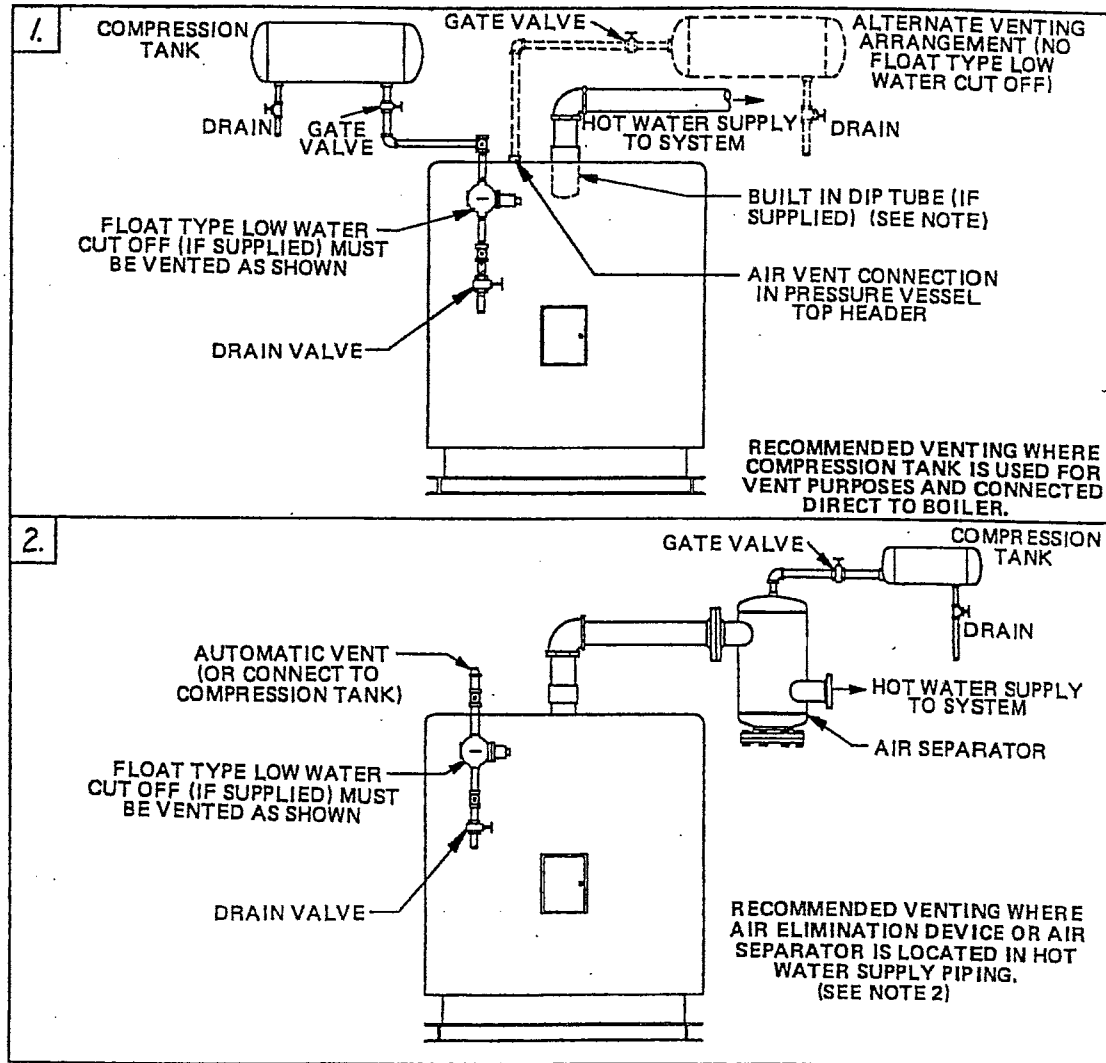
The loop temperature for heat pump systems is characteristically in the 60°F to 75°F range. Consequently, to avoid condensation-generated tube damage, provision must be made to provide minimum feed water temperature to the boiler at nominally 120°F. With 120°F return temperature, the recommended boiler outlet temperature is 180°F. The following is a description of a suggested system.

This system cycles the boiler on the basis of both boiler outlet water temperature (T3) and boiler return water temperature (T2). If the boiler outlet water temperature drops below 180°F or the return water temperature drops below 120°F, the boiler will cycle on. This provides for operation of the boiler either on a call for heat in the heat pump loop (by means of opening the two-way valve permitting low temperature water to flow into the boiler loop) or during a stand-by cycle should the return water temperature drop below 120°F. The circulator is to be cycled with the boiler and wired with a time delay to keep the circulator operating from one to three minutes after the boiler shuts off. The two-way valve shown should have a motorized, 120 second operator. This ensures that the boiler will shut down before the valve is completely closed, thus allowing removal of residual heat in the boiler.

The heat pump system supply temperature (T4) is controlled by the modulating temperature regulating valve, B, regulating the amount of 180°F water entering the loop.



AIR VENTING RECOMMENDATIONS FOR BRYAN HOT WATER BOILERS



On hot water heating applications it is essential to eliminate as much air as possible from the system. Shown above are two methods of accomplishing this:

1. Where air is to be eliminated directly at the boiler, the compression tank should be connected to the expansion tank tapping on top of the boiler. An alternate location is to attach the tank to the hot water supply piping. If a built in dip tube is supplied on the boiler, the expansion tank must be vented from the top of the boiler rather than from the supply piping.
2. System design often calls for air elimination devices in the hot water supply line. The compression tank is vented from this air elimination device rather than from the boiler.

Cleaning Improves a Hot Water Heating System

One important phase in completing Hot Water Heating installations is too often neglected in the specifications. No provision has been made for cleaning the system. It is sometimes drained for changes and adjustments but never actually cleaned. The architect, engineer, or contractor selects hot water heating for an office building, apartment or home. It represents the best system...but it will be better if it is a clean system.

HOW TO TELL IF A SYSTEM NEEDS CLEANING

There are definite indications of an unclean system. Here is a check list. If any of these test positive, the system needs cleaning.

1. Obviously discolored, musky, dirty water.
2. Vented gases at high points in the radiation that will ignite and burn with an almost invisible bluish flame.
3. A pH or alkalinity test that gives a pH test reading below 7. (Below 7 indicates the water in the system is acid.)

No matter how carefully a system is installed certain extraneous materials do find their way inadvertently into the system during construction. Pipe dope, thread cutting oils, soldering flux, rust preventatives or slushing compounds, core sand, welding slag, and dirt, sand, or clays from the job site are usually found. Fortunately the proportions of these are usually small and do not cause trouble. In some cases there are sufficient quantities to break down chemically during the operation of the system causing gas formation and acid system water.

Hot water systems, in most cases, naturally operate with a pH of 7 or better. The condition of the water can be quickly tested with Hydrion paper which is used in the same manner as Litmus paper except it gives specific readings. A color chart on the side of the small Hydrion dispenser gives the readings in pH. Hydrion paper is inexpensive and obtainable from any chemical supply house or through your local druggist.

A system that tests acid (below 7 on the scale, sometimes as low as 4) will usually have the following symptoms:

1. Gas formation (air troubles).
2. Pump seal and gland problems.
3. Air vent sticking and leaking.
4. Frequent relief valve operating.
5. Piping leaks at joints.

Once in this condition the symptoms continue for years until corrected by cleaning. Many times, because of the gas formation, automatic air vents are added throughout the system to attempt a

cure. The promiscuous use of automatic air vents can defeat the function of the Airtrol system because in a normal system the small quantities of air finding their way to the system and piping must be returned to the expansion tank to maintain the balance between the air cushion and the water volume.

If system deterioration is permitted and leaks develop and water losses increase, it is possible to cause serious damage to the boiler. Therefore, our main aim is to have a closed system that is clean, neutral, and water tight.

SNOW MELTING and RADIANT PANELS, because of the large quantities of pipe used, should be cleaned. CONVERTORS and systems using anti-freeze solutions must be cleaned. If not, the anti-freeze solutions bring back the debris from the piping and deposit it on the convertor tubes. This destroys heat transfer ability shortly after placed in operation, cutting its capacity as much as 50% in a few weeks time.

We propose that all hot water systems be cleaned on completion, making even the finest job better and helping to eliminate the few bothersome jobs that sometimes occur.

HOW TO CLEAN A HOT WATER HEATING SYSTEM

Cleaning a hot water system (either steel or copper piping) is neither difficult nor expensive. The materials for cleaning are readily available. Trisodium phosphate, sodium carbonate, and sodium hydroxide (lye) are the most common materials for cleaning. They are available at all paint and hardware stores. Their preference is in the order named and should be used in the following proportions, using a solution of only one type in the system: Trisodium phosphate, one pound for each fifty gallons in the system; Sodium carbonate, one pound for each thirty gallons in the system; Sodium hydroxide (lye), one pound for each fifty gallons in the system.

Fill, vent, and circulate the system with this solution, allowing it to reach design or operating temperatures if possible. After circulating a few hours, the system should be drained completely and refilled with fresh water. Usually enough of the cleaner will adhere to the piping to give an alkaline solution satisfactory for operation. A pH reading between 7 and 8 is preferred, and a small amount of cleaner can be added if necessary.

A clean, neutral hot water system should never be drained except for an emergency or necessary servicing of equipment which may be after years of operation. Anti-freeze solutions in systems should be tested from year to year as recommended by the manufacturers of the anti-freeze used. It is our contention that a clean system is a better system. Once cleaned, it will never need cleaning again.



Bryan Boilers

Removal and Replacement of Flexible Water Tubes

Instruction 34

(1/97)

Follow this easy step-by-step procedure to remove or replace the flexible water tubes in Bryan Boilers. This process requires no rolling or welding. Follow the steps as outlined for the most efficient and least time consuming procedure.

CAUTION: GOGGLES OR SAFETY GLASSES SHOULD BE WORN TO PREVENT INJURY. Before removing tube(s), boiler must be completely drained of water. If boiler outlet and return are equipped with shutoff valves, close both to avoid draining the entire system.

TOOLS REQUIRED

Hammer

- A. For 3/4" and 1" tubes, two pound hammer
- B. For all 1 1/2" tubes, four pound hammer

Tube Puller (Available from Bryan)

- A. For 3/4" tubes, number 4 puller
- B. For 1" tubes, number 2 puller
- C. For 1 1/2" tubes, number 3 puller

Tube Driver (Available from Bryan)

- A. For 3/4" and 1" tubes, number 1 driver
- B. For 1-1/2" tubes, number 2 driver

Nut Wrench - 3/8"

TUBE ORDERING INFORMATION

For Bryan Boiler Series

Order tubes by configuration

F, D and HED Series

Tubes are long or short. Outside is long, inside is short.

L Series

Tubes are right hand or left hand. (facing burner end)

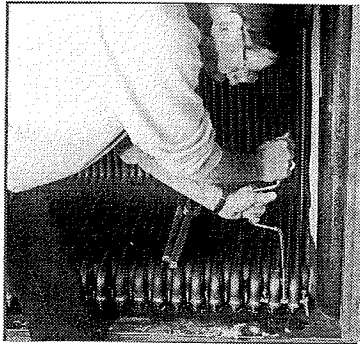
LM, AB, RV and RW Series

Tubes are inside or outside

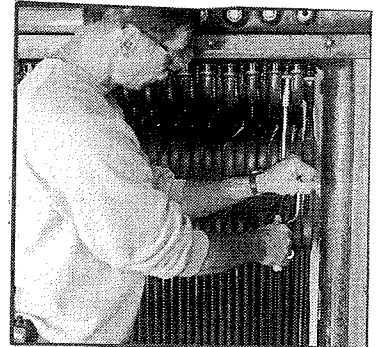
PREPARATION

Begin by removing the insulated jacket side panels or doors, exposing the inner tube access panels. On some models (L, LM and RW Series) tube access is from both sides. On each end of every tube is a welded steel tapered ferrule which is driven into tapered holes in the upper and lower steel headers.

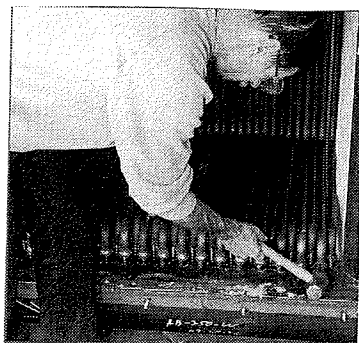
REMOVAL OF TUBES



1. Remove lower tube clamps. On most models a stud and clamp are required ← over the steel ferrule. Remove the retaining nut and clamp before attempting to remove the tube(s). To facilitate removal, you may need to soak with good penetrating fluid.



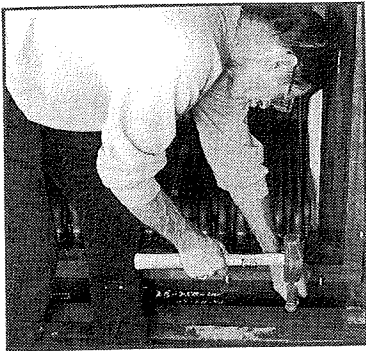
2. Remove upper tube clamps. Follow the same procedure as step one. →



3. Loosen tube ferrules. Strike the side of the tube ferrule two or three times with a hammer ← to help loosen the tube ferrule in the upper and lower header.

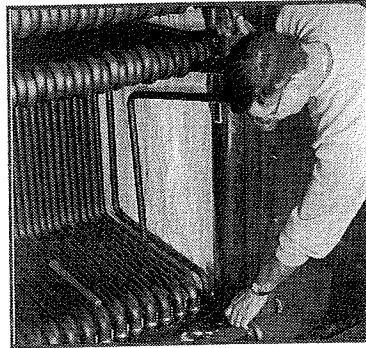
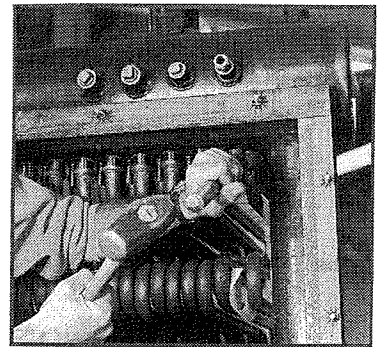


4. Pull lower tube ferrule (outer row of tubes). Drive the tube puller wedges under the lip of the tube ferrule with several blows of the hammer on the end of the handle. Alternate with downward blows to lift the tube ferrule. Hold the leverage and repeat to drive the wedge further. →



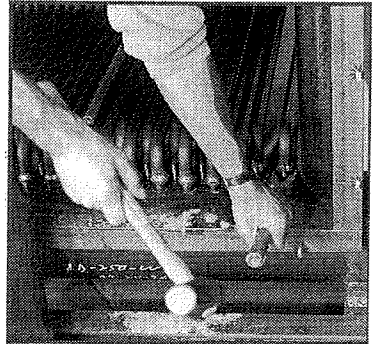
5. Clear tube Ferrule from the header. Continue driving wedge under and levering fitting up until it pops the end of the tube free from the hole in the header. ←

6. Pull upper tube ferrule. Repeat the procedure to pull the tube ferrule of the same tube from the upper header. →



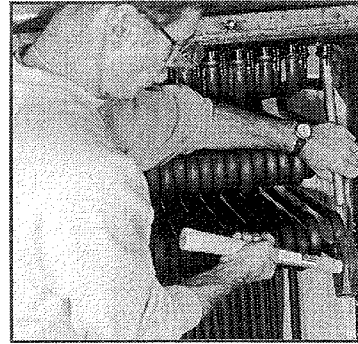
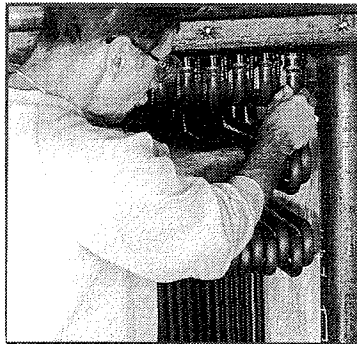
7. Remove outer row tube. Remove the tube and repeat with other outer row tubes to gain access to rear tubes. If a tube leak occurs in an inner tube, two adjacent outer tubes must be removed to access the inner tube for removal. ←

8. Pull inner row tube ferrules. Repeat the procedure in steps four through seven to remove inner tube or tubes. →



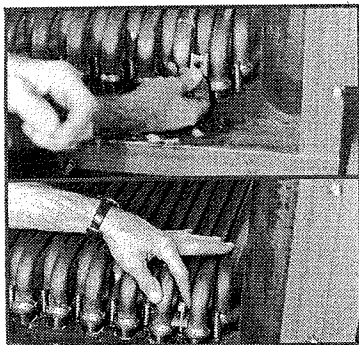
REPLACEMENT OF TUBES

Before placing a new tube into the headers, clean the holes by wiping gently with emery cloth to be sure there are no burrs. If replacement tube has been sitting for a long period of time and shows rust, repeat the cleaning procedure on the tube ferrule. With a small brush, apply a thin coating of gray pipe dope around the inside of the hole and all around the tube ferrule.



9. To replace tubes, start with the inner tube. Insert the lower tube ferrule in the bottom header first then the top tube ferrule in the top header. Replace all tubes before driving.


10 & 11. Drive the tube ferrules until they seat. With the driver tool positioned on the ring, strike the end of the driver with the hammer three or four blows. **DO NOT DRIVE THE FERRULE DOWN TO THE RING.** Before the ring reaches the header, after three or four good hits, you will hear a solid hit. This indicates the tube is seated.



12. Replace tube clamps. If your unit is equipped with studs and clamps, reinstall the tube clamps and secure them with nuts. Tighten the nut only until snug. Do not try to compress the ferrule into the holes with the clamps, because the clamps might break or the studs might shear.

REFILL THE BOILER

Refill the boiler with water. Fill until pressure is slightly under the relief valve set pressure. Inspect all tube ferrules for leaks. If the tube(s) you replaced leaks, reduce the pressure in the boiler to zero, then strike the fitting once or twice with the driver and hammer as shown in steps ten and eleven above. After inspection, replace the tube access panels and jacket access doors.



Bryan Boilers

Installation and Operating Service Manual Supplement

Bryan Boilers is currently supplying boilers with product enhancements to our flexible tubes. Our flexible tubes will no longer have a separate ferrule welded to each end. We have developed a way to form the ferrule from the tube material directly on the bent tube see figure 1. We will identify these tubes as **“End Formed”**. Patent Pending

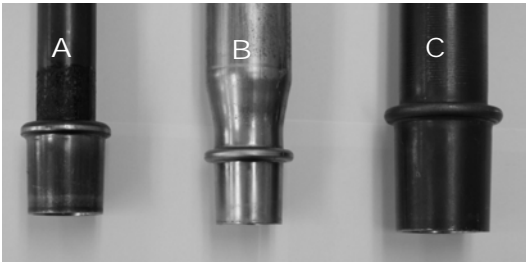


Figure 1

- A. 1” End Formed Tube.
- B. Triple-Flex End Formed Tube.
- C. 1-1/2” End Formed Tube.

These tubes will require a specific driver to install the tubes into the boiler vessel. The tube driver required is shown in Figure 2.

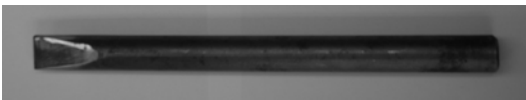


Figure 2

This driver is required to drive all end formed tubes. The driver (see Figure 3) previously used to drive 1” tubes will adequately drive 1” end formed tubes only.

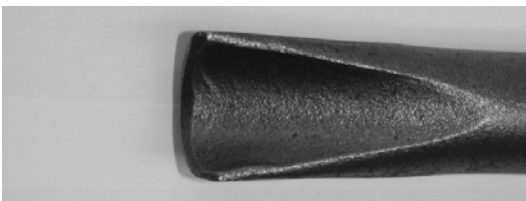


Figure 3

If you have a driver that looks like Figure 4 – B, your driver will need to be modified by grinding to match Figure 4 – A.

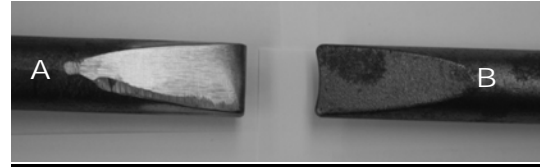


Figure 4

The new driver and current tube pullers will work for all tubes regardless if end formed or welded ferrule.

We are changing to end formed tubes for the following boilers, DR, CL/CLM, AB, RV, and RW. The Triple-Flex boiler has shipped with end formed tubes since introduction.

The table below is provided as a cross-reference until the parts list can be revised with the new numbers.

NOTE:

If you order tubes with old part number, you will receive end formed tube replacements.

End-Formed Tube Cross Reference		
Boiler Series Outside or Inside	With Fittings (Old Part#)	End-Formed (New Part#)
DR Outside	400004	301442
DR Inside	400003	301443
CLM	400176	301444
CL	400131	301445
AB Outside	77120	301446
AB Inside	77121	301447
RV Outside	38100	301448
RV Inside	38101	301449
RW Outside	50101	301450
RW Inside	50100	301451
K Outside	32124	N/A
K Inside	32125	N/A
Tube Driver	28906.1	

TERMS AND CONDITIONS OF SALE

BRYAN BOILERS

("Seller")

PRICES AND TERMS OF PAYMENT

- A. Prices quoted are firm for no more than 30 days from the date of quotation, subject to any conditions stated in Seller's quotation or in an order submitted by Buyer and expressly accepted in writing by Seller. Seller will not be bound by any price sheet or quote other than a price quote signed by an authorized representative of Seller.
- B. Prices on orders accepted by Seller are firm, to the extent stated in the accepted order, subject to the following:
1. The purchase order must provide for shipment within six months of the date of the purchase order.
 2. Any shipment made more than six months after such date is subject to a price adjustment, at Seller's sole discretion, to the Seller's price in effect at the time of shipment, which will not exceed 125% of the price on the acknowledged purchase order
 3. Any shipment more than 12 months after the date of the purchase order will be invoiced at Seller's price in effect at the time of shipment.
- C. On orders having a total price of less than \$100,000 payment will be due "net 30 days" from date of shipment, unless otherwise specifically agreed by Seller. On orders having a total purchase price of \$100,000 or more, terms are 10% with order, 40% upon Seller's receipt of Buyer's approval of drawings, 45% within 30 days after shipment and 5% at start-up of the products or within 90 days after shipment, whichever occurs sooner.
- D. The price of parts, components, and other items not manufactured by Seller is subject to adjustment by Seller to reflect price changes by Seller's suppliers.
- E. Orders accepted by seller are subject to credit investigation and approval. If Buyer's financial condition at any time does not justify the terms specified, Seller may require full or partial payment as a condition to commence or continue to manufacture, or in advance of shipment or, if shipment has been made, recover shipment from the carrier. A service charge of 1-1/2% per month will be added to all accounts 30 days past due.
- F. Any tax or government charge now or hereafter leveled upon the production, sale, use, or shipment of products ordered or sold will be charged to and paid by the Buyer, unless the Buyer has provided Seller with a tax exemption certification acceptable to the applicable taxing authorities. Such taxes are not covered in the selling price unless expressly stated on the quotation form.

SECURITY INTEREST

Notwithstanding transfer of title to Buyer, the Seller retains and the Buyer hereby grants to the Seller a purchase money security interest in all products sold, and Buyer hereby irrevocably appoints Seller as its attorney-in-fact to execute and deliver, in Buyer's name, any such financing statements or other documents as may be necessary under the Uniform Commercial Code or other applicable laws governing the items sold herein to perfect Seller's interest therein.

Buyer will obtain and maintain insurance against loss or damage naming Seller as an additional insured in an amount sufficient to protect Seller's interest in all products until the purchase price has been paid in full.

CHANGES, ORDERS, AND CANCELLATION

Seller may adjust the selling price to cover any requested change in specifications or other terms after receipt of the Buyer's order. Orders accepted by Bryan Boilers shall not be canceled by the Buyer except at Bryan's sole discretion. In the event of any cancellation, Bryan reserves the right to impose a cancellation charge sufficient to cover all losses

and out-of-pocket cost incurred by Seller in connection with such order, including materials and labor charges and cancellation charges from vendors, plus a cancellation charge of 20% of the original face amount of the order to compensate Seller for its lost profits.

RETURNED GOODS

Products may not be returned for refund or credit after Buyer has agreed to accept them. Inspection by a Seller representative may be required before return authorization is granted. A minimum restocking and handling charge of 25% (plus the cost of any missing parts or components and inbound freight) will apply to all such returned products. All transportation charges for returned products must be paid by Buyer.

TRANSPORTATION TERMS AND CLAIMS

Unless otherwise stated on Seller's quotation form, all prices are F.O.B. Seller's shipping point. Delivery to the initial carrier shall constitute delivery to the Buyer. Seller's responsibility ceases and title to the goods passes, subject to Seller's security interest, upon delivery in good order to such carrier, and all products are shipped at the Buyer's risk. The Buyer agrees to examine all deliveries carefully before signing transportation receipts. If products are visibly damaged, the Buyer shall require that written confirmation of the damage be noted on the carrier's delivery receipt and confirmed by the driver for the carrier. If damage is discovered after unpacking, the carrier shall be notified at once so that an inspection can be made and the claimed damage substantiated by the carrier

FORCE MAJEURE AND STORAGE

- A. Seller shall not be liable for any delay or delivery of shipment of products or for any damages failure in the suffered by reason of such delay or failure if, directly or indirectly, due to fire, flood, other weather conditions, accidents, riots, war, embargo, labor stoppages, inadequate transportation facilities, shortages of material or suppliers, regulation by government authority, or any cause beyond Seller's control.
- B. Seller reserves the right to allocate available production among its customers in any fair and reasonable manner that it determines is necessary or desirable.
- C. If delivery is delayed due to any cause beyond Seller's control, Buyer shall reimburse Seller for any added costs. Without limiting the foregoing, product on which manufacture or delivery is delayed due to any cause may be placed in storage by Seller, for the Buyer's account and risk, and regular charges therefore and expenses in connection therewith shall be paid by the Buyer. If, in Seller's opinion, it is unable to obtain or continue such storage, the Buyer will, on request, provide or arrange for suitable storage facilities and assume all costs and risks in connection therewith.

SHORTAGES, VARIANCES, AND WEIGHTS

No claims for variance from or shortages in orders will be considered unless presented within 30 days after receipt of products. Any shipping weights given or estimated are approximate, for the Buyer's convenience only, and not guaranteed by Seller.

LIMITS OF LIABILITY

Any action by Buyer on this contract must be commenced within one year after the cause of action accrues. Actions on Seller's Warranties shall be limited as provided therein. Seller shall in no event have any liability for any liquidated damages, consequential damages or penalties, whether on account of lost profits, or otherwise, unless specifically agreed to in writing signed by an authorized representative of Seller.

PRODUCT CHANGES

Seller reserves the right to make changes in products of any kind without prior notice, and to deliver revised designs or models of products against

any order. Seller shall have no responsibility whatsoever with respect to changes made by the manufacturer of products sold but not manufactured by it.

PATENTS

Products manufactured and sold by Seller may be used by the Buyer pursuant to such patent rights as Seller may own or enjoy. Seller shall not be liable for any use to which any such products may be put as part of any system, mechanism or process covered by patent rights of others.

TESTS

Any tests requested by the Buyer to determine the performance of products covered by Seller's quotation, must utilize procedures acceptable to Seller and the Buyer is responsible for the costs thereof. Whenever an order includes start-up or service agreements, Seller shall not be obliged to provide any start-up or other service as long as any payment to Seller is in default.

CONFLICTING PROVISIONS OFFERED BY BUYER

Any terms and conditions of Buyer's purchase order which are different from, in addition to or inconsistent with the terms and conditions expressed herein, are hereby objected to, and will not be binding on Seller in any manner whatsoever unless accepted by Seller in writing. Seller

shall ship the products referred to in this document only on the condition that the terms and conditions of sales set forth hereon shall be binding on the Buyer.

APPLICABLE LAW

Any orders or contracts received by Seller from Buyer shall be governed by, consulted and enforced by the laws of the state of Indiana.

COMPLETE AGREEMENT

The complete agreement between Seller and Buyer is contained herein and in any specifications signed by the Seller, and no additional or different terms or conditions stated by Buyer shall be binding unless agreed to by Seller in writing. Neither course of dealings, nor usage of trade, shall be relevant to supplement or explain any terms used in this Agreement, and this Agreement may be modified only by a writing signed by both Seller and Buyer. The failure of Seller to insist upon strict performance of any of the terms and conditions stated herein shall not be considered as a continuing waiver of any such terms or conditions or any of Seller's other rights.

CHANGES IN TERMS

These terms and conditions of sale are subject to change by Seller from time to time without prior notice.

LIMITED WARRANTY

BRYAN BOILERS

("Seller")

LIMITED WARRANTY

Subject to the terms and conditions herein, Seller warrants to the original owner at the original installation site that products manufactured by Seller ("Products") comply, at the time of manufacture, with recognized hydronics industry regulatory agency standards and requirements then in effect and will be free from defects in materials and workmanship for a period of 12 months after the date of start-up or 18 months after the date of shipment, whichever shall be less (the "Warranty Period").

REMEDY

- A. The sole remedy for breach of this warranty is expressly limited to the repair or replacement of any part found to be defective under conditions of normal use within the Warranty Period. Installation is not included.
- B. Warranty - The owner must notify the original installer of the Product and Seller, in writing, within the Warranty Period, providing a detailed description of all claimed defects. Transportation to a factory or other designated facility for repairs of any products or items alleged defective shall, in all events, be the responsibility and at the cost of the owner.

EXCLUSIONS

Seller shall have no liability for:

- A. Incidental, special, or consequential damages, such as loss of the use of products, facilities, or production, inconvenience, loss of time or labor expense involved in repairing or replacing the alleged defective Product.
- B. The performance of any Product under conditions varying materially from those under which such Product is usually tested under industry standards as of the time of shipment.
- C. Any damages to the Product due to abrasion, erosion, corrosion, deterioration, abnormal temperature, or the influence of foreign matter or energy.

- D. The design or operation of owner's plant or equipment or of any facility or system of which any Product may be made a part.
- E. The suitability of any product for any particular application.
- F. Any failure resulting from misuse, modification not authorized by Seller in writing, improper installation, or lack of proper maintenance.
- G. Equipment furnished by the owner, either mounted or unmounted, or when contracted for by the owner to be installed or handled.

Seller's liability under this warranty shall not in any case exceed the amount paid for the Product found to be defective.

THIRD-PARTY WARRANTIES

For goods or components not manufactured by Seller, the warranty obligations of Seller shall, in all respects, conform and be limited to the warranty actually extended to Seller by its vendors.

SEVERABILITY

To the extent that any provision of this warranty would be void or prohibited under applicable law, such provisions shall be limited in effect to the minimum extent necessary to render the remaining provisions hereof enforceable.

NO OTHER WARRANTIES

Seller makes no implied warranty of merchantability or fitness for a particular purpose, or other warranties with respect to any products or services except as expressly set forth in this limited warranty.

**25-YEAR
NON-PRO-RATED
WARRANTY
AGAINST
THERMAL SHOCK**

In addition to our standard one-year warranty against defective parts and workmanship, Bryan Steam warrants the boiler pressure vessel for twenty-five (25) years, non-pro-rated, from the date of shipment from Peru, Indiana. This warranty is only valid if the boiler is installed and operated in accordance with our Installation and Operation Manual.

This warranty shall cover leaks in boiler tubes, upper and lower drums, and downcomers, when upon inspection by us, such damage is attributed to unequal expansion, often described as "thermal shock."

This warranty does not cover damages or failures that can be attributed to corrosion, scale, dirt or sludge accumulation in the boiler, low water conditions, failure of any safety devices or any other improper service, operation or neglect.

Bryan Steam liability is hereunder limited to solely repairing or supplying a replacement pressure vessel or component parts as determined necessary by our inspection. Bryan Steam is not responsible for shipping, handling, installation and other costs, including all costs associated with the removal and disposal of the old pressure vessel or component parts. In no event shall Bryan Steam be responsible for any incidental, consequential, or other damages, including any damages resulting from loss of use of the boiler.

 **BRYAN STEAM**® *Bryan Steam — Leaders Since 1916*
783 N. Chili Ave., Peru, Indiana 46970
U.S.A. Phone: 765-473-6651 •
Internet: www.bryanboilers.com Fax: 765-473-3074 •
E-mail: inquiry@bryansteam.com

